



TMH ®



Catalogue

PALLET TRUCK PARTS



-  Most articles stated in this catalogue are available from stock, unless they were sold out after the publication of this catalogue. Contact us if you require a similar article that is not shown in this catalogue: alternatives might be available. TVH is a supplier of spare parts and accessories suitable for OEM-equipment. OEM-references and makes are purely indicative and do not imply that the accessories and/or spare parts originate from the original equipment or parts manufacturer. Please consult our general terms and conditions of sale on www.tvh.com/avv.
- 
 De meeste in deze catalogus vermelde artikelen zijn uit voorraad leverbaar, tenzij ze na publicatie van deze catalogus uitverkocht werden. Contacteer ons indien u een gelijkaardig artikel wenst dat niet in deze catalogus is opgenomen: het is mogelijk dat wij ook dit kunnen leveren. TVH is een leverancier van reserveonderdelen en accessoires geschikt voor OEM-uitrusting. OEM-referenties en merken zijn enkel indicatief en betekenen niet dat de accessoires en/of onderdelen afkomstig zijn van de originele toestel- of onderdelenfabrikant. Gelieve onze algemene verkoopsvoorwaarden te consulteren op www.tvh.com/avv.
-  La plupart des articles mentionnés dans ce catalogue sont disponibles sauf si épuisement du stock à la publication de ce catalogue. Contactez-nous si vous souhaitez un article similaire qui n'est pas repris dans ce catalogue : il est possible que nous pouvons vous le fournir. TVH est un fournisseur de pièces détachées et d'accessoires adaptables sur des marques constructeurs. Les références et marques constructeurs sont uniquement indicatives et n'impliquent pas que les accessoires et/ou pièces proviennent du fabricant de la machine ou de la pièce d'origine. Veuillez consulter nos conditions générales de vente sur www.tvh.com/avv.
-  Die in dieser Liste aufgeführten Artikel sind in der Regel ab Lager lieferbar es sei denn, sie sind nach der Veröffentlichung des vorliegenden Katalogs ausverkauft. Kontaktieren Sie uns wenn Sie einen ähnlichen Artikel benötigen dieser aber nicht im Katalog enthalten ist: Alternativen könnten verfügbar sein. TVH ist Lieferant von Ersatzteilen und Zubehör die für die OEM – Ausstattung geeignet sind. OEM-Referenzen und Marken sind rein Indikativ und bedeuten nicht, dass das Zubehör und/oder Ersatzteile vom Originalgeräte- oder Ersatzteilhersteller sind. Druckfehler vorbehalten. Alle Verkäufe unterliegen den Allgemeinen Geschäftsbedingungen www.tvh.com/avv.
-  La mayoría de los artículos que figuran en este catálogo se encuentran en stock, a menos que tras la publicación de este catálogo se hayan agotado. Contacte con nosotros si desea un artículo similar que no se halle en este catálogo : es posible que podamos ofrecerle aquel que usted necesita. TVH es un proveedor de recambios y accesorios adecuados para equipos OEM. Las referencias y marcas OEM mencionadas son meramente indicativas y no implican que los accesorios y / o recambios procedan del fabricante de maquinaria o recambios original. Por favor, consulte nuestras condiciones de venta en www.tvh.com/avv.
-  La maggior parte dei ricambi elencati in questo catalogo sono a stock, a meno che dopo la pubblicazione di questo catalogo sono stati venduti. Contattecì se desiderate un articolo simile che non è riportato in questo catalogo: è possibile che possiamo offrire anche questi. TVH è un fornitore di pezzi di ricambio e accessori per OEM, riferimenti OEM e marche sono solo indicativi e non implicano che gli accessori e/o di componenti derivino dal costruttore originale o dal produttore del componente. Si prega di consultare i nostri termini di vendita su www.tvh.com/avv.
-  Części z tego katalogu są zazwyczaj na stanie magazynowym. Również części które nie są wyszczególnione w katalogu mogą być dostarczone na zamówienie w najkrótszym możliwym terminie. Opis części O.E.M. jest używany informacyjnie i nie wskazuje na to, że dany produkt jest wyprodukowany przez podanego producenta. Zawartość katalogu może ulec zmianie bez wcześniejszego informowania o tym. Wszystkie użyte zdjęcia, rysunki, nazwy marek, opis i numery służą tylko do identyfikacji.
-  Запчасти из настоящего списка, как правило, имеются в запасе, если только он не распродан. Прочие, не фигурирующие в списке артикулы, могут быть поставлены в самые кратчайшие сроки. Указание оригинальных номеров производителя не предполагает обязательного оригинального происхождения самих деталей. Данный список может изменяться без предварительного уведомления. Все использованные фото, рисунки, иллюстрации, названия брендов, наименования и номера служат исключительно для цели идентификации.





TVH HISTORY



Dear customer,

More than 45 years ago, in 1969, the success story of TVH began. Mr Paul Vanhalst and Mr Paul Thermote, neighbours and school friends, joined forces and started with the purchase and repair of agricultural machines and used lift trucks.

Increasing industrialisation led to a growing need for lift trucks and lift truck parts. Slowly but surely, TVH was growing into a global player, thanks to the success of the product and customer service, but also thanks to acquisitions.

After all these years, the business is still in family hands and has grown from 2 founders, to a workforce of almost 4500 employees worldwide, in 5 continents. The day-to-day management has now been handed over to the second generation.

TVH has two business units: Parts & Accessories (TVH Parts NV) and Equipment (TVH Equipment NV). TVH Equipment is a specialist in second-hand lift trucks and aerial work platforms.

TVH Parts is your all-round supplier of quality parts and accessories for material handling, industrial vehicles and agricultural equipment.

You get fast answers on any offer, order or technical question from our dedicated sales and technical departments. We continually expand our product range by following new trends and looking for new partnerships, to make sure you will find absolutely everything you need right here at TVH.

The Thermote & Vanhalst families



Watch our company movie.



ALL PARTS, ALL MAKES



All parts, all makes

TVHPARTS

- More than 100 000 m² of warehousing
- Computer-controlled stock management
- More than 600 000 stock items
- More than 21 000 000 known references
- Technically-skilled employees
- Assistance in 32 languages
- Same-day shipment, next-day delivery
- One-stop shop
- Webshop & online support



STRONG BRANDS, GUARANTEED QUALITY

Every day, reliable products and services contribute to the success of your company. That is why our product range consists of qualitative top brands.

Read all about this under 'Product range' on www.tvh.com



This is only a selection of brands we can offer. Exceptions apply to certain products/countries.



HYDRAULIC AND MECHANICAL ATTACHMENTS

Benefit from over 50 years of experience in design and production with CAM System® attachments. The full range of mechanical and hydraulic attachments is recognised for its high qualitative standards and reliability: sidershifters, (multi-)fork positioners, rotators, box rotators, bale clamps, appliance clamps, concrete block clamps, push-pulls ...

Order your catalogue with prices to get an overview of this product range. Find our product leaflets and product movies on www.camsystem.com. In addition to complete attachments, we also offer replacement parts.



REF 24891677



SWEEPERS

Sweep your way through dust and dirt!

We offer a complete range of mechanical and hydraulic sweeper attachments.



SmartSweep®

HydroSweeper

MaxiSweeper

MagneticSweeper

LazySweeper®

INTERNAL TRANSPORT EQUIPMENT & WAREHOUSE ACCESSORIES



Discover our complete range of internal transport equipment as well as warehouse and workshop accessories in the 'Attachments & handling equipment' catalogue.

Order your copy using REF 29228025 or download the catalogue via our website: www.tvh.com



TOTAL LIFTER®

Climax

TOTAL SOURCE®



CATALOGUES



Our catalogues give you information about the product groups, brands and makes in our range. The extensive and detailed information contains general product info, pictures, dimensions ...

- REF 21713862 Consumables & accessories
- REF 29193029 Attachments & handling equipment
- REF 25564923 Batteries, chargers & accessories
- REF 20177702 Brushes
- REF 21497415 Bulbs
- REF 15282597 Chains & accessories
- REF 10185471 Contactors & contacts
- REF 21178582 Electronic accessories
- REF 31072159 Energic plus
- REF 20177485 Engine parts
- REF 10727802 Exhaust systems
- REF 29793487 Fluke
- REF 20177906 Fuses & fuse holders
- REF 29127398 Grammer seats
- REF 14702080 Hydraulic system parts
- REF 19949421 Key switches
- REF 12594102 Labels & decals
- REF 22802499 LPG system parts
- REF 7872482 Mast rollers
- REF 26501928 Paint & accessories
- REF 31072162 Pallet truck parts
- REF 7835233 Potentiometers & encoders
- REF 7083552 Relays
- REF 12726578 Replacement parts for Genie
- REF 15069637 Replacement parts for Haulotte
- REF 12613028 Replacement parts for JLG
- REF 20769251 Replacement parts for scrubbers & sweepers
- REF 24154086 Replacement parts for tail lifts
- REF 13991397 Seats & accessories
- REF 6252659 Starters & alternators
- REF 28667085 Tracks & undercarriage parts
- REF 24337660 Tyres, rims & accessories
- REF 7072186 Wheel brake & master cylinders
- REF 31072155 Wheels, rollers & castors
- Range of filters available in MyProductSearch & MyPartsFinder

PRODUCT SPECIALS



We gladly keep you informed of our extensive product range. In addition to our catalogues we present you our 'product specials': useful brochures that will guide you within specific product categories.

- REF 27903004 Air conditioning
- REF 17857457 Beta, quality tools & workwear
- REF 14372877 Document & accessories holders
- REF 21735662 Drum handling & accessories
- REF 22835159 Force professional tools
- REF 24010825 Forks & accessories
- REF 21720627 Hardware special
- REF 21713854 Hydraulic power units
- REF 18178749 Jacks & supports
- REF 22775197 LED lights
- REF 21841408 Lubrication & accessories
- REF 20382686 Maintenance special
- REF 20778928 Mirrors
- REF 23942036 Oils & greases
- REF 17868205 Press special
- REF 18666614 Safety & ergonomics special
- REF 28975226 Safety equipment for aerial work platforms
- REF 24261715 Seats & accessories
- REF 20963014 Skips, scoops & crane jibs
- REF 27693679 Summertime special
- REF 19550195 Twistlocks special
- REF 18329658 Weighing special
- REF 21497051 Windshields & glazing
- REF 28809094 Winter products



MYTOTALSOURCE

Visit our webshop
where and when
you want.

Forwarding price inquiries and orders is fast, easy and only one click away. 24/7 available.



Receive your complete offer immediately

Use a TVH or OEM number to get price and availability. Even the reference on the part itself is often recognized in MyTotalSource.

Place your order in just a few clicks

4 easy steps to send your order:

1. Create your order basket
2. Change your order
3. View your order
4. Confirm your order

Search online

- You have **machine or equipment details?**
Use **MyPartsFinder** to find the spare part you need.
- You have the **technical details or specifications of a part?**
Use **MyProductSearch** to find the spare part you need.
- Use our online **catalogues**.
- **Haven't found the reference you were looking for?**
Fill out the technical sheet you can find in MyTotalSource ('Info & Promotions') or in this catalogue.
- **MyTVHLink:** work more efficiently by making an EDI-connection between your company software and TVH

mytotalsource.tvh.com



MyTotalSource app: place orders via your smartphone or table

The MyTotalSource app offers you the possibility to request offers, place orders, manage lists and scan bar codes of references from your smartphone.

How it works:

1. Download the MyTotalSource app, available for Android or iOS.
2. Log on to the mobile MyTotalSource app with your MyTotalSource login details.
3. Discover all the possibilities.

"Scan to order" system.

Scan the bar code with your smartphone or bluetooth scanner and get a price and availability to complete your offer/order.

If you have any questions, call or mail our help desk for free support: **T +32 56 43 48 66 · ecommerce@tvh.com**

Request your login details now and benefit from the many advantages that MyTotalSource offers!



ELECTRONIC PARTS

Our range includes printed circuit boards, electronic speed controllers, displays, chargers, contactors, joysticks, accelerators and directional switches.

Our electronics department is Europe's largest, best equipped and most diverse service centre for the repair of electronic parts for forklifts, aerial work platforms and industrial vehicles.



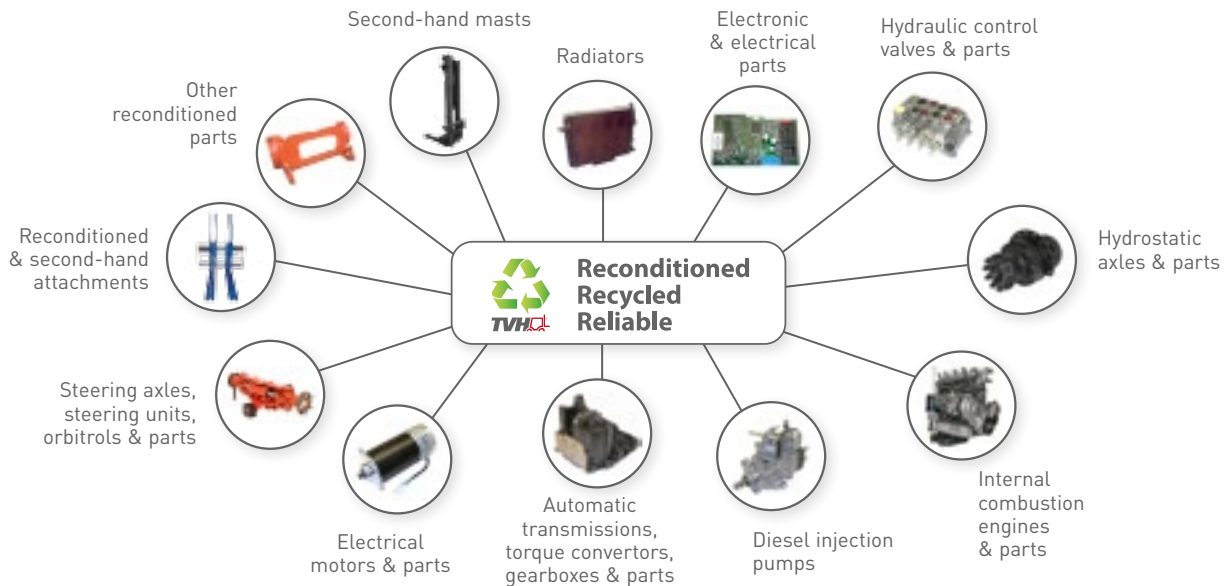
TOTAL SOURCE[®]



Find out more about our electronics department in our brochure (REF 20207048) or go to downloads on www.tvh.com to watch the movie.



RECONDITIONED PARTS



We offer you a unique range of reconditioned parts, at the best price. Reconditioned parts are sold with the same warranty as for a new part, at a price that can be up to 50% cheaper!

Electric motors, internal combustion engines, print-boards, hydraulic pumps, transmissions, torque converters, radiators, steering axles, starters, alternators ... everything is in stock! TVH has invested in a wide range of test devices which allow us to pass stringent quality controls on various spare parts. The tests are designed in such a manner that a realistic work situation is generated during the tests.

Buying one of our reconditioned parts is the perfect alternative to buying a new spare part. Ask for the availability and the conditions! You can buy a reconditioned part with or without the return of an old unit (service exchange parts).



Find out more about our reconditioned parts in our brochure (REF 29127412) or go to downloads on www.tvh.com to watch the movie.



TVH-BAY



TVH's online outlet shop with more than 1000 new and second-hand products at rock-bottom prices! Available in 16 languages.

The online shop to pick up real bargains

- Rock-bottom prices for a limited offer of hard-to-find parts and accessories
- A list of products per brand or product category
- A wide range of parts and accessories for lift trucks, handling equipment and related products
- All parts are available off the shelf, and can therefore be delivered quickly
- Frequently updated with new references

Go to www.tvh.com/tvhbay

SECOND-HAND ATTACHMENTS



More than 500 products in stock

TVH likes to invest in durability and pursues this as much as possible in its products. The range of second-hand attachments in original or completely revised condition is very extensive and varied: rotators, fork positioners, carpet booms, bale clamps, paper roll clamps ...

We have second-hand attachments in our range for Bolzoni, CAM System, Cascade, Kaup, Kooi, Meyer ...

Discover our full range on www.tvh.com/tvhbay



SECOND-HAND EQUIPMENT



- Specialist in lift trucks and aerial work platforms with a permanent stock of 1500 lift trucks and 250 aerial work platforms
- Telehandlers and all-terrain trucks
- Masts and attachments

Find a daily updated stock list on our search engine myequipmentfinder.tvh.com



ELECTRIC WAREHOUSING

Electric pallet trucks (from 1,5-2 t)
Stackers (from 1-1,6 t)



Brochure
Climax
REF 27617387

Climax

www.climaxhandling.com

info@climaxhandling.com · T +32 56 43 41 19



TABLE OF CONTENTS



About TVH	I-VIII	Used for Jungheinrich	154-165
Table of contents	1-9	· AM 2000 (-1/03/1999)	154- 157
Nice to know	10-13	· AM 2200 (30/04/1999-1/10/2003)	158- 161
Used for Bolzoni	14-29	· AM 2200 (31/10/2003-1/04/2005)	162- 165
· TSM EASYLIFT	14- 17	Used for Kentruck	166-171
· TSM QUICKLIFT	18- 21	· SH/SHQ/SHS 2000/2500	166- 171
· TSM 1 EASYLIFT	22- 25	Used for Mic	172-183
· TSM 1 QUICKLIFT	26- 29	· TM 22 (30/04/1999-1/10/2003)	172- 175
Used for BT	30-63	· TM 22 QUICK (30/04/1999-1/10/2003)	176- 179
· LHM230 (3121000-3299999)	30-35	· TM 2000 (-1/03/1999)	180- 183
· LHM230 QUICK (-3299999)	36- 41	Used for Nielsen Holst	184-187
· LIFTER L23 (2400000-3120999)	42- 45	· PL15/25/30 SERIES 33/34/35/36/37	184- 187
· LIFTER L23 QUICK (2400000-3120999)	46- 49	Used for Pramac	188-195
· LIFTER L2000 7/9/10/11 (-2399999)	50-57	· LIFTER GS	188- 191
· LIFTER L2000 QUICK 10/11 (-2399999)	58-63	· LIFTER GS PREMIUM	192- 195
Used for Bulli	64-87	Used for Rocla	196-203
· FK 2000/2500/3000 (31/03/1989-31/08/1992)	64-71	· RH25	196- 199
· FK 2000/2500/3000 (1/09/1992-31/10/2004)	72- 79	· RHS25	200- 203
· FK 2300 (1/11/2004-)	80- 83	Used for Steinbock	204-207
· FK 3000 (1/11/2004-)	84- 87	· WH20/23 MK IX-A	204- 207
Used for BV Vestergaard	88-103	Used for TotalLifter	208-277
· 115	88-91	· AC STANDARD	208- 211
· 115R	92- 95	· AC QUICKLIFT	212- 215
· PV25	96- 99	· AC LOW PROFILE	216- 219
· PV25R	100- 103	· ACZ GALVANISED	220- 223
Used for Climax	104-177	· ACS STAINLESS STEEL	224- 227
· TRP0001	104- 107	· CBGIII STANDARD	228- 231
· TRP0002	108- 117	· TRP0003	232- 237
Used for Crown	118-125	· TRP0004	238- 243
· PTH	118- 121	· TRP0005	244-249
· PTH 50 (-28/02/2007)	122- 125	· TRP0006	250- 255
Used for Ecolift	126-129	· TRP0007	256- 261
· Ecolift	126- 129	· TRPI0001 (-31/12/2015)	262- 265
Used for Eurolifter	130-133	· TRPI0001 (01/01/2016-)	266- 269
· Eurolifter	130- 133	· TRPI0003 (-31/12/2015)	270- 273
Used for Hu-Lift	134-137	· TRPI0003 (01/01/2016-)	274- 277
· HP20S	134- 137	Used for Toyota	278-281
Used for Hyster	138-153	· HT20	278- 281
· PM22 EASYLIFT	138- 141	Used for Yale	282-297
· PM22 QUICKLIFT	142- 145	· HP22 EASYLIFT	282- 285
· PM23 EASYLIFT	146- 149	· HP22 QUICKLIFT	286- 289
· PM23 QUICKLIFT	150- 153	· HP23 EASYLIFT	290- 293
		· HP23 QUICKLIFT	294- 297
		Seal kits	298
		Consumables - Accessories	299-308



Over TVH	I–VIII	Gebruikt voor Jungheinrich	154–165
Inhoudsopgave	1–9	· AM 2000 (-1/03/1999)	154–157
Nice to know	10–13	· AM 2200 (30/04/1999–1/10/2003)	158–161
Gebruikt voor Bolzoni	14–29	· AM 2200 (31/10/2003–1/04/2005)	162–165
· TSM EASYLIFT	14–17	Gebruikt voor Kentruck	166–171
· TSM QUICKLIFT	18–21	· SH/SHQ/SHS 2000/2500	166–171
· TSM 1 EASYLIFT	22–25	Gebruikt voor Mic	172–183
· TSM 1 QUICKLIFT	26–29	· TM 22 (30/04/1999–1/10/2003)	172–175
Gebruikt voor BT	30–63	· TM 22 QUICK (30/04/1999–1/10/2003)	176–179
· LHM230 (3121000–32999999)	30–35	· TM 2000 (-1/03/1999)	180–183
· LHM230 QUICK (-3299999)	36–41	Gebruikt voor Nielsen Holst	184–187
· LIFTER L23 (2400000–3120999)	42–45	· PL15/25/30 SERIES 33/34/35/36/37	184–187
· LIFTER L23 QUICK (2400000–3120999)	46–49	Gebruikt voor Pramac	188–195
· LIFTER L2000 7/9/10/11 (-2399999)	50–57	· LIFTER GS	188–191
· LIFTER L2000 QUICK 10/11 (-2399999)	58–63	· LIFTER GS PREMIUM	192–195
Gebruikt voor Bulli	64–87	Gebruikt voor Rocla	196–203
· FK 2000/2500/3000 (31/03/1989–31/08/1992)	64–71	· RH25	196–199
· FK 2000/2500/3000 (1/09/1992–31/10/2004)	72–79	· RHS25	200–203
· FK 2300 (1/11/2004–)	80–83	Gebruikt voor Steinbock	204–207
· FK 3000 (1/11/2004–)	84–87	· WH20/23 MK IX-A	204–207
Gebruikt voor BV Vestergaard	88–103	Gebruikt voor Totallifter	208–277
· 115	88–91	· AC STANDARD	208–211
· 115R	92–95	· AC QUICKLIFT	212–215
· PV25	96–99	· AC LOW PROFILE	216–219
· PV25R	100–103	· ACZ GALVANISED	220–223
Gebruikt voor Climax	104–117	· ACS STAINLESS STEEL	224–227
· TRP0001	104–107	· CBGIII STANDARD	228–231
· TRP0002	108–117	· TRP0003	232–237
Gebruikt voor Crown	118–125	· TRP0004	238–243
· PTH	118–121	· TRP0005	244–249
· PTH 50 (-28/02/2007)	122–125	· TRP0006	250–255
Gebruikt voor Ecolift	126–129	· TRP0007	256–261
· Ecolift	126–129	· TRPI0001 (-31/12/2015)	262–265
Gebruikt voor Eurolifter	130–133	· TRPI0001 (01/01/2016–)	266–269
· Eurolifter	130–133	· TRPI0003 (-31/12/2015)	270–273
Gebruikt voor Hu-Lift	134–137	· TRPI0003 (01/01/2016–)	274–277
· HP20S	134–137	Gebruikt voor Toyota	278–281
Gebruikt voor Hyster	138–153	· HT20	278–281
· PM22 EASYLIFT	138–141	Gebruikt voor Yale	282–297
· PM22 QUICKLIFT	142–145	· HP22 EASYLIFT	282–285
· PM23 EASYLIFT	146–149	· HP22 QUICKLIFT	286–289
· PM23 QUICKLIFT	150–153	· HP23 EASYLIFT	290–293
		· HP23 QUICKLIFT	294–297
		Dichtingssets	298
		Verbruiksgoederen – Accessoires	299–308



À propos de TVH	I-VIII	Utilisé pour Jungheinrich	154-165
Table des matières	1-9	· AM 2000 (-1/03/1999)	154-157
Bon à savoir	10-13	· AM 2200 (30/04/1999-1/10/2003)	158-161
Utilisé pour Bolzoni	14-29	· AM 2200 (31/10/2003-1/04/2005)	162-165
· TSM EASYLIFT	14-17	Utilisé pour Kentruck	166-171
· TSM QUICKLIFT	18-21	· SH/SHQ/SHS 2000/2500	166-171
· TSM 1 EASYLIFT	22-25	Utilisé pour Mic	172-183
· TSM 1 QUICKLIFT	26-29	· TM 22 (30/04/1999-1/10/2003)	172-175
Utilisé pour BT	30-63	· TM 22 QUICK (30/04/1999-1/10/2003)	176-179
· LHM230 (3121000-3299999)	30-35	· TM 2000 (-1/03/1999)	180-183
· LHM230 QUICK (-3299999)	36-41	Utilisé pour Nielsen Holst	184-187
· LIFTER L23 (2400000-3120999)	42-45	· PL15/25/30 SERIES 33/34/35/36/37	184-187
· LIFTER L23 QUICK (2400000-3120999)	46-49	Utilisé pour Pramac	188-195
· LIFTER L2000 7/9/10/11 (-2399999)	50-57	· LIFTER GS	188-191
· LIFTER L2000 QUICK 10/11 (-2399999)	58-63	· LIFTER GS PREMIUM	192-195
Utilisé pour Bulli	64-87	Utilisé pour Rocla	196-203
· FK 2000/2500/3000 (31/03/1989-31/08/1992)	64-71	· RH25	196-199
· FK 2000/2500/3000 (1/09/1992-31/10/2004)	72-79	· RHS25	200-203
· FK 2300 (1/11/2004-)	80-83	Utilisé pour Steinbock	204-207
· FK 3000 (1/11/2004-)	84-87	· WH20/23 MK IX-A	204-207
Utilisé pour BV Vestergaard	88-103	Utilisé pour TotalLifter	208-277
· 115	88-91	· AC STANDARD	208-211
· 115R	92-95	· AC QUICKLIFT	212-215
· PV25	96-99	· AC LOW PROFILE	216-219
· PV25R	100-103	· ACZ GALVANISED	220-223
Utilisé pour Climax	104-117	· ACS STAINLESS STEEL	224-227
· TRP0001	104-107	· CBGIII STANDARD	228-231
· TRP0002	108-117	· TRP0003	232-237
Utilisé pour Crown	118-125	· TRP0004	238-243
· PTH	118-121	· TRP0005	244-249
· PTH 50 (-28/02/2007)	122-125	· TRP0006	250-255
Utilisé pour Ecolift	126-129	· TRP0007	256-261
· Ecolift	126-129	· TRPI0001 (-31/12/2015)	262-265
Utilisé pour Eurolifter	130-133	· TRPI0001 (01/01/2016-)	266-269
· Eurolifter	130-133	· TRPI0003 (-31/12/2015)	270-273
Utilisé pour Hu-Lift	134-137	· TRPI0003 (01/01/2016-)	274-277
· HP20S	134-137	Utilisé pour Toyota	278-281
Utilisé pour Hyster	138-153	· HT20	278-281
· PM22 EASYLIFT	138-141	Utilisé pour Yale	282-297
· PM22 QUICKLIFT	142-145	· HP22 EASYLIFT	282-285
· PM23 EASYLIFT	146-149	· HP22 QUICKLIFT	286-289
· PM23 QUICKLIFT	150-153	· HP23 EASYLIFT	290-293
		· HP23 QUICKLIFT	294-297
		Kits de joints	298
		Consommables – Accessoires	299-308



Über TVH	I–VIII	Verwendet für Jungheinrich	154–165
Inhaltsverzeichnis	1–9	· AM 2000 (–1/03/1999)	154–157
Gut zu wissen	10–13	· AM 2200 (30/04/1999–1/10/2003)	158–161
Verwendet für Bolzoni	14–29	· AM 2200 (31/10/2003–1/04/2005)	162–165
· TSM EASYLIFT	14–17	Verwendet für Kentruck	166–171
· TSM QUICKLIFT	18–21	· SH/SHQ/SHS 2000/2500	166–171
· TSM 1 EASYLIFT	22–25	Verwendet für Mic	172–183
· TSM 1 QUICKLIFT	26–29	· TM 22 (30/04/1999–1/10/2003)	172–175
Verwendet für BT	30–63	· TM 22 QUICK (30/04/1999–1/10/2003)	176–179
· LHM230 (3121000–32999999)	30–35	· TM 2000 (–1/03/1999)	180–183
· LHM230 QUICK (–3299999)	36–41	Verwendet für Nielsen Holst	184–187
· LIFTER L23 (2400000–3120999)	42–45	· PL15/25/30 SERIES 33/34/35/36/37	184–187
· LIFTER L23 QUICK (2400000–3120999)	46–49	Verwendet für Pramac	188–195
· LIFTER L2000 7/9/10/11 (–2399999)	50–57	· LIFTER GS	188–191
· LIFTER L2000 QUICK 10/11 (–2399999)	58–63	· LIFTER GS PREMIUM	192–195
Verwendet für Bulli	64–87	Verwendet für Rocla	196–203
· FK 2000/2500/3000 (31/03/1989–31/08/1992)	64–71	· RH25	196–199
· FK 2000/2500/3000 (1/09/1992–31/10/2004)	72–79	· RHS25	200–203
· FK 2300 (1/11/2004–)	80–83	Verwendet für Steinbock	204–207
· FK 3000 (1/11/2004–)	84–87	· WH20/23 MK IX-A	204–207
Verwendet für BV Vestergaard	88–103	Verwendet für TotalLifter	208–277
· 115	88–91	· AC STANDARD	208–211
· 115R	92–95	· AC QUICKLIFT	212–215
· PV25	96–99	· AC LOW PROFILE	216–219
· PV25R	100–103	· ACZ GALVANISED	220–223
Verwendet für Climax	104–117	· ACS STAINLESS STEEL	224–227
· TRP0001	104–107	· CBGIII STANDARD	228–231
· TRP0002	108–117	· TRP0003	232–237
Verwendet für Crown	118–125	· TRP0004	238–243
· PTH	118–121	· TRP0005	244–249
· PTH 50 (–28/02/2007)	122–125	· TRP0006	250–255
Verwendet für Ecolift	126–129	· TRP0007	256–261
· Ecolift	126–129	· TRPI0001 (–31/12/2015)	262–265
Verwendet für Eurolifter	130–133	· TRPI0001 (01/01/2016–)	266–269
· Eurolifter	130–133	· TRPI0003 (–31/12/2015)	270–273
Verwendet für Hu-Lift	134–137	· TRPI0003 (01/01/2016–)	274–277
· HP20S	134–137	Verwendet für Toyota	278–281
Verwendet für Hyster	138–153	· HT20	278–281
· PM22 EASYLIFT	138–141	Verwendet für Yale	282–297
· PM22 QUICKLIFT	142–145	· HP22 EASYLIFT	282–285
· PM23 EASYLIFT	146–149	· HP22 QUICKLIFT	286–289
· PM23 QUICKLIFT	150–153	· HP23 EASYLIFT	290–293
		· HP23 QUICKLIFT	294–297
		Dichtungssätze	298
		Verbrauchsmaterialien – Zubehör	299–308



Sobre TVH	I-VIII	Utilizado para Jungheinrich	154-165
Índice	1-9	· AM 2000 (-1/03/1999)	154-157
Interesante para saber	10-13	· AM 2200 (30/04/1999-1/10/2003)	158-161
Utilizado para Bolzoni	14-29	· AM 2200 (31/10/2003-1/04/2005)	162-165
· TSM EASYLIFT	14-17	Utilizado para Kentruck	166-171
· TSM QUICKLIFT	18-21	· SH/SHQ/SHS 2000/2500	166-171
· TSM 1 EASYLIFT	22-25	Utilizado para Mic	172-183
· TSM 1 QUICKLIFT	26-29	· TM 22 (30/04/1999-1/10/2003)	172-175
Utilizado para BT	30-63	· TM 22 QUICK (30/04/1999-1/10/2003)	176-179
· LHM230 (3121000-32999999)	30-35	· TM 2000 (-1/03/1999)	180-183
· LHM230 QUICK (-3299999)	36-41	Utilizado para Nielsen Holst	184-187
· LIFTER L23 (2400000-3120999)	42-45	· PL15/25/30 SERIES 33/34/35/36/37	184-187
· LIFTER L23 QUICK (2400000-3120999)	46-49	Utilizado para Pramac	188-195
· LIFTER L2000 7/9/10/11 (-2399999)	50-57	· LIFTER GS	188-191
· LIFTER L2000 QUICK 10/11 (-2399999)	58-63	· LIFTER GS PREMIUM	192-195
Utilizado para Bulli	64-87	Utilizado para Rocla	196-203
· FK 2000/2500/3000 (31/03/1989-31/08/1992)	64-71	· RH25	196-199
· FK 2000/2500/3000 (1/09/1992-31/10/2004)	72-79	· RHS25	200-203
· FK 2300 (1/11/2004-)	80-83	Utilizado para Steinbock	204-207
· FK 3000 (1/11/2004-)	84-87	· WH20/23 MK IX-A	204-207
Utilizado para BV Vestergaard	88-103	Utilizado para TotalLifter	208-277
· 115	88-91	· AC STANDARD	208-211
· 115R	92-95	· AC QUICKLIFT	212-215
· PV25	96-99	· AC LOW PROFILE	216-219
· PV25R	100-103	· ACZ GALVANISED	220-223
Utilizado para Climax	104-117	· ACS STAINLESS STEEL	224-227
· TRP0001	104-107	· CBGIII STANDARD	228-231
· TRP0002	108-117	· TRP0003	232-237
Utilizado para Crown	118-125	· TRP0004	238-243
· PTH	118-121	· TRP0005	244-249
· PTH 50 (-28/02/2007)	122-125	· TRP0006	250-255
Utilizado para Ecolift	126-129	· TRP0007	256-261
· Ecolift	126-129	· TRPI0001 (-31/12/2015)	262-265
Utilizado para Eurolifter	130-133	· TRPI0001 (01/01/2016-)	266-269
· Eurolifter	130-133	· TRPI0003 (-31/12/2015)	270-273
Utilizado para Hu-Lift	134-137	· TRPI0003 (01/01/2016-)	274-277
· HP20S	134-137	Utilizado para Toyota	278-281
Utilizado para Hyster	138-153	· HT20	278-281
· PM22 EASYLIFT	138-141	Utilizado para Yale	282-297
· PM22 QUICKLIFT	142-145	· HP22 EASYLIFT	282-285
· PM23 EASYLIFT	146-149	· HP22 QUICKLIFT	286-289
· PM23 QUICKLIFT	150-153	· HP23 EASYLIFT	290-293
		· HP23 QUICKLIFT	294-297
		Juegos de juntas	298
		Consumibles - Accesorios	299-308



Sobre a TVH	I–VIII	Usado para Jungheinrich	154–165
Índice	1–9	· AM 2000 (-1/03/1999)	154–157
Bom saber	10–13	· AM 2200 (30/04/1999–1/10/2003)	158–161
Usado para Bolzoni	14–29	· AM 2200 (31/10/2003–1/04/2005)	162–165
· TSM EASYLIFT	14–17	Usado para Kentruck	166–171
· TSM QUICKLIFT	18–21	· SH/SHQ/SHS 2000/2500	166–171
· TSM 1 EASYLIFT	22–25	Usado para Mic	172–183
· TSM 1 QUICKLIFT	26–29	· TM 22 (30/04/1999–1/10/2003)	172–175
Usado para BT	30–63	· TM 22 QUICK (30/04/1999–1/10/2003)	176–179
· LHM230 (3121000–32999999)	30–35	· TM 2000 (-1/03/1999)	180–183
· LHM230 QUICK (-3299999)	36–41	Usado para Nielsen Holst	184–187
· LIFTER L23 (2400000–3120999)	42–45	· PL15/25/30 SERIES 33/34/35/36/37	184–187
· LIFTER L23 QUICK (2400000–3120999)	46–49	Usado para Pramac	188–195
· LIFTER L2000 7/9/10/11 (-2399999)	50–57	· LIFTER GS	188–191
· LIFTER L2000 QUICK 10/11 (-2399999)	58–63	· LIFTER GS PREMIUM	192–195
Usado para Bulli	64–87	Usado para Rocla	196–203
· FK 2000/2500/3000 (31/03/1989–31/08/1992)	64–71	· RH25	196–199
· FK 2000/2500/3000 (1/09/1992–31/10/2004)	72–79	· RHS25	200–203
· FK 2300 (1/11/2004–)	80–83	Usado para Steinbock	204–207
· FK 3000 (1/11/2004–)	84–87	· WH20/23 MK IX-A	204–207
Usado para BV Vestergaard	88–103	Usado para Totalifter	208–277
· 115	88–91	· AC STANDARD	208–211
· 115R	92–95	· AC QUICKLIFT	212–215
· PV25	96–99	· AC LOW PROFILE	216–219
· PV25R	100–103	· ACZ GALVANISED	220–223
Usado para Climax	104–117	· ACS STAINLESS STEEL	224–227
· TRP0001	104–107	· CBGIII STANDARD	228–231
· TRP0002	108–117	· TRP0003	232–237
Usado para Crown	118–125	· TRP0004	238–243
· PTH	118–121	· TRP0005	244–249
· PTH 50 (-28/02/2007)	122–125	· TRP0006	250–255
Usado para Ecolift	126–129	· TRP0007	256–261
· Ecolift	126–129	· TRPI0001 (-31/12/2015)	262–265
Usado para Eurolifter	130–133	· TRPI0001 (01/01/2016–)	266–269
· Eurolifter	130–133	· TRPI0003 (-31/12/2015)	270–273
Usado para Hu-Lift	134–137	· TRPI0003 (01/01/2016–)	274–277
· HP20S	134–137	Usado para Toyota	278–281
Usado para Hyster	138–153	· HT20	278–281
· PM22 EASYLIFT	138–141	Usado para Yale	282–297
· PM22 QUICKLIFT	142–145	· HP22 EASYLIFT	282–285
· PM23 EASYLIFT	146–149	· HP22 QUICKLIFT	286–289
· PM23 QUICKLIFT	150–153	· HP23 EASYLIFT	290–293
		· HP23 QUICKLIFT	294–297
		Jogos de juntas	298
		Consumíveis – Acessórios	299–308



Circa TVH	I-VIII	Usato per Jungheinrich	154-165
Tabella dei contenuti	1-9	· AM 2000 (-1/03/1999)	154-157
Utile da sapere	10-13	· AM 2200 (30/04/1999-1/10/2003)	158-161
Usato per Bolzoni	14-29	· AM 2200 (31/10/2003-1/04/2005)	162-165
· TSM EASYLIFT	14-17	Usato per Kentruck	166-171
· TSM QUICKLIFT	18-21	· SH/SHQ/SHS 2000/2500	166-171
· TSM 1 EASYLIFT	22-25	Usato per Mic	172-183
· TSM 1 QUICKLIFT	26-29	· TM 22 (30/04/1999-1/10/2003)	172-175
Usato per BT	30-63	· TM 22 QUICK (30/04/1999-1/10/2003)	176-179
· LHM230 (3121000-3299999)	30-35	· TM 2000 (-1/03/1999)	180-183
· LHM230 QUICK (-3299999)	36-41	Usato per Nielsen Holst	184-187
· LIFTER L23 (2400000-3120999)	42-45	· PL15/25/30 SERIES 33/34/35/36/37	184-187
· LIFTER L23 QUICK (2400000-3120999)	46-49	Usato per Pramac	188-195
· LIFTER L2000 7/9/10/11 (-2399999)	50-57	· LIFTER GS	188-191
· LIFTER L2000 QUICK 10/11 (-2399999)	58-63	· LIFTER GS PREMIUM	192-195
Usato per Bulli	64-87	Usato per Rocla	196-203
· FK 2000/2500/3000 (31/03/1989-31/08/1992)	64-71	· RH25	196-199
· FK 2000/2500/3000 (1/09/1992-31/10/2004)	72-79	· RHS25	200-203
· FK 2300 (1/11/2004-)	80-83	Usato per Steinbock	204-207
· FK 3000 (1/11/2004-)	84-87	· WH20/23 MK IX-A	204-207
Usato per BV Vestergaard	88-103	Usato per TotalLifter	208-277
· 115	88-91	· AC STANDARD	208-211
· 115R	92-95	· AC QUICKLIFT	212-215
· PV25	96-99	· AC LOW PROFILE	216-219
· PV25R	100-103	· ACZ GALVANISED	220-223
Usato per Climax	104-117	· ACS STAINLESS STEEL	224-227
· TRP0001	104-107	· CBGIII STANDARD	228-231
· TRP0002	108-117	· TRP0003	232-237
Usato per Crown	118-125	· TRP0004	238-243
· PTH	118-121	· TRP0005	244-249
· PTH 50 (-28/02/2007)	122-125	· TRP0006	250-255
Usato per Ecolift	126-129	· TRP0007	256-261
· Ecolift	126-129	· TRPI0001 (-31/12/2015)	262-265
Usato per Eurolifter	130-133	· TRPI0001 (01/01/2016-)	266-269
· Eurolifter	130-133	· TRPI0003 (-31/12/2015)	270-273
Usato per Hu-Lift	134-137	· TRPI0003 (01/01/2016-)	274-277
· HP20S	134-137	Usato per Toyota	278-281
Usato per Hyster	138-153	· HT20	278-281
· PM22 EASYLIFT	138-141	Usato per Yale	282-297
· PM22 QUICKLIFT	142-145	· HP22 EASYLIFT	282-285
· PM23 EASYLIFT	146-149	· HP22 QUICKLIFT	286-289
· PM23 QUICKLIFT	150-153	· HP23 EASYLIFT	290-293
		· HP23 QUICKLIFT	294-297
		Set di guarnizioni	298
		Consumabili - Accessori	299-308



O TVH	I–VIII	Używany do Jungheinrich	154–165
Spis treści	1–9	· AM 2000 (–1/03/1999).....	154–157
Dobrze wiedzieć	10–13	· AM 2200 (30/04/1999–1/10/2003).....	158–161
Używany do Bolzoni	14–29	· AM 2200 (31/10/2003–1/04/2005).....	162–165
· TSM EASYLIFT.....	14–17	Używany do Kentruck	166–171
· TSM QUICKLIFT.....	18–21	· SH/SHQ/SHS 2000/2500.....	166–171
· TSM 1 EASYLIFT.....	22–25	Używany do Mic	172–183
· TSM 1 QUICKLIFT.....	26–29	· TM 22 (30/04/1999–1/10/2003).....	172–175
Używany do BT	30–63	· TM 22 QUICK (30/04/1999–1/10/2003).....	176–179
· LHM230 (3121000–3299999).....	30–35	· TM 2000 (–1/03/1999).....	180–183
· LHM230 QUICK (–3299999).....	36–41	Używany do Nielsen Holst	184–187
· LIFTER L23 (2400000–3120999).....	42–45	· PL15/25/30 SERIES 33/34/35/36/37.....	184–187
· LIFTER L23 QUICK (2400000–3120999).....	46–49	Używany do Pramac	188–195
· LIFTER L2000 7/9/10/11 (–2399999).....	50–57	· LIFTER GS.....	188–191
· LIFTER L2000 QUICK 10/11 (–2399999).....	58–63	· LIFTER GS PREMIUM.....	192–195
Używany do Bulli	64–87	Używany do Rocla	196–203
· FK 2000/2500/3000 (31/03/1989–31/08/1992).....	64–71	· RH25.....	196–199
· FK 2000/2500/3000 (1/09/1992–31/10/2004).....	72–79	· RHS25.....	200–203
· FK 2300 (1/11/2004–).....	80–83	Używany do Steinbock	204–207
· FK 3000 (1/11/2004–).....	84–87	· WH20/23 MK IX-A.....	204–207
Używany do BV Vestergaard	88–103	Używany do TotalLifter	208–277
· 115.....	88–91	· AC STANDARD.....	208–211
· 115R.....	92–95	· AC QUICKLIFT.....	212–215
· PV25.....	96–99	· AC LOW PROFILE.....	216–219
· PV25R.....	100–103	· ACZ GALVANISED.....	220–223
Używany do Climax	104–117	· ACS STAINLESS STEEL.....	224–227
· TRP0001.....	104–107	· CBGIII STANDARD.....	228–231
· TRP0002.....	108–117	· TRP0003.....	232–237
Używany do Crown	118–125	· TRP0004.....	238–243
· PTH.....	118–121	· TRP0005.....	244–249
· PTH 50 (–28/02/2007).....	122–125	· TRP0006.....	250–255
Używany do Ecolift	126–129	· TRP0007.....	256–261
· Ecolift.....	126–129	· TRPI0001 (–31/12/2015).....	262–265
Używany do Eurolifter	130–133	· TRPI0001 (01/01/2016–).....	266–269
· Eurolifter.....	130–133	· TRPI0003 (–31/12/2015).....	270–273
Używany do Hu-Lift	134–137	· TRPI0003 (01/01/2016–).....	274–277
· HP20S.....	134–137	Używany do Toyota	278–281
Używany do Hyster	138–153	· HT20.....	278–281
· PM22 EASYLIFT.....	138–141	Używany do Yale	282–297
· PM22 QUICKLIFT.....	142–145	· HP22 EASYLIFT.....	282–285
· PM23 EASYLIFT.....	146–149	· HP22 QUICKLIFT.....	286–289
· PM23 QUICKLIFT.....	150–153	· HP23 EASYLIFT.....	290–293
		· HP23 QUICKLIFT.....	294–297
		Zestawy uszczelek	298
		Materiały eksploatacyjne – Akcesoria	299–308



Кратко о TVH	I–VIII	Используется для Jungheinrich	154–165
Оглавление	1–9	· AM 2000 (–1/03/1999)	154–157
Полезно знать	10–13	· AM 2200 (30/04/1999–1/10/2003)	158–161
Используется для Bolzoni	14–29	· AM 2200 (31/10/2003–1/04/2005)	162–165
· TSM EASYLIFT	14–17	Используется для Kentruck	166–171
· TSM QUICKLIFT	18–21	· SH/SHQ/SHS 2000/2500	166–171
· TSM 1 EASYLIFT	22–25	Используется для Mic	172–183
· TSM 1 QUICKLIFT	26–29	· TM 22 (30/04/1999–1/10/2003)	172–175
Используется для BT	30–63	· TM 22 QUICK (30/04/1999–1/10/2003)	176–179
· LHM230 (3121000–32999999)	30–35	· TM 2000 (–1/03/1999)	180–183
· LHM230 QUICK (–3299999)	36–41	Используется для Nielsen Holst	184–187
· LIFTER L23 (2400000–3120999)	42–45	· PL15/25/30 SERIES 33/34/35/36/37	184–187
· LIFTER L23 QUICK (2400000–3120999)	46–49	Используется для Pramac	188–195
· LIFTER L2000 7/9/10/11 (–2399999)	50–57	· LIFTER GS	188–191
· LIFTER L2000 QUICK 10/11 (–2399999)	58–63	· LIFTER GS PREMIUM	192–195
Используется для Bulli	64–87	Используется для Rocla	196–203
· FK 2000/2500/3000 (31/03/1989–31/08/1992)	64–71	· RH25	196–199
· FK 2000/2500/3000 (1/09/1992–31/10/2004)	72–79	· RHS25	200–203
· FK 2300 (1/11/2004–)	80–83	Используется для Steinbock	204–207
· FK 3000 (1/11/2004–)	84–87	· WH20/23 MK IX-A	204–207
Используется для BV Vestergaard	88–103	Используется для TotalLifter	208–277
· 115	88–91	· AC STANDARD	208–211
· 115R	92–95	· AC QUICKLIFT	212–215
· PV25	96–99	· AC LOW PROFILE	216–219
· PV25R	100–103	· ACZ GALVANISED	220–223
Используется для Climax	104–117	· ACS STAINLESS STEEL	224–227
· TRP0001	104–107	· CBGIII STANDARD	228–231
· TRP0002	108–117	· TRP0003	232–237
Используется для Crown	118–125	· TRP0004	238–243
· PTH	118–121	· TRP0005	244–249
· PTH 50 (–28/02/2007)	122–125	· TRP0006	250–255
Используется для Ecolift	126–129	· TRP0007	256–261
· Ecolift	126–129	· TRPI0001 (–31/12/2015)	262–265
Используется для Eurolifter	130–133	· TRPI0001 (01/01/2016–)	266–269
· Eurolifter	130–133	· TRPI0003 (–31/12/2015)	270–273
Используется для Nu-Lift	134–137	· TRPI0003 (01/01/2016–)	274–277
· HP20S	134–137	Используется для Toyota	278–281
Используется для Hyster	138–153	· HT20	278–281
· PM22 EASYLIFT	138–141	Используется для Yale	282–297
· PM22 QUICKLIFT	142–145	· HP22 EASYLIFT	282–285
· PM23 EASYLIFT	146–149	· HP22 QUICKLIFT	286–289
· PM23 QUICKLIFT	150–153	· HP23 EASYLIFT	290–293
		· HP23 QUICKLIFT	294–297
		Комплект сальников	298
		Расходные материалы – Аксессуаров	299–308



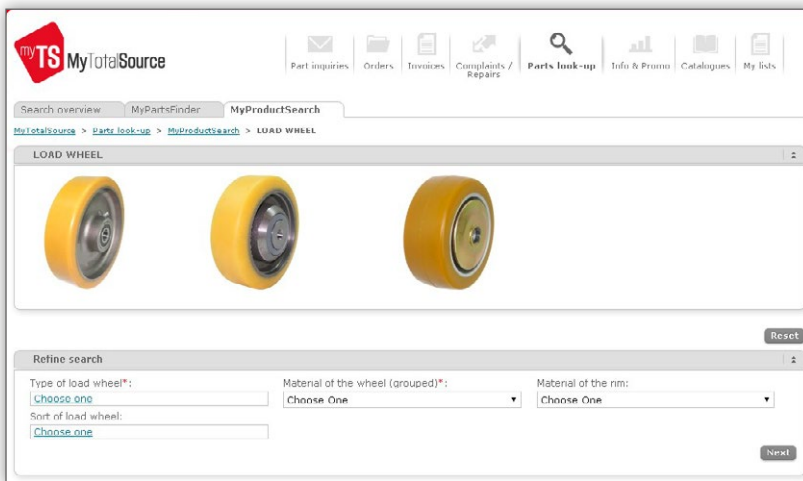
NICE TO KNOW

MyTotalSource

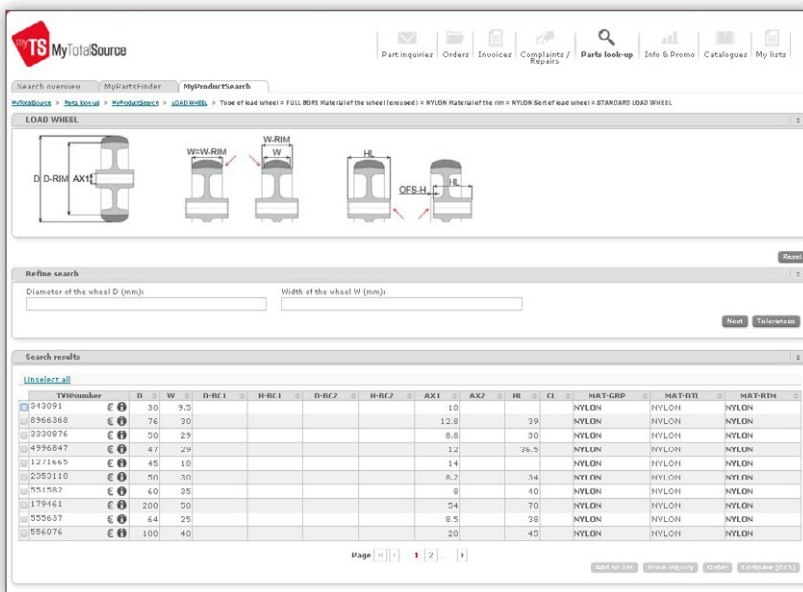
Your interactive online webshop for spare parts

The user-friendly search modules **MyPartsFinder** and **MyProductSearch** allow you to always find the correct part. Alternatively, you can also easily search by partnumber.

1. In **MyPartsFinder** you can find your parts by entering vehicle specifications. (brand, type ...)
2. With **MyProductSearch** you can find your part by entering technical details.



MyProductSearch
Find your consumables group



It is also possible to search further via MPS (MyProductSearch) for a similar part with other characteristics if necessary, or the parts can also be compared to each other.



NICE TO KNOW



3. Search by partnumber

Direct part inquiry

Make*: TVH (TVH) Part number*: TVH 107TA6667 Quantity*: 1,00 Own ref.: Your quote ref.:

[Click here to add comments](#)

Results from 1 to 1

TVH 107TA6667

Quote: 155466106 1.0 29/03/16 Created by: Sylvie Vandenbergho Your quote ref.: Valid until: 28/04/16

Make: TVH Part number: 107TA6667 Qty: 1,00 Unit price: 17,87 €

Part Description: Wheel complete Qty in stock: 1,00 ✓

Own ref.: Unit: piece

Weight (kg): 0,74

Other customers also bought

Total price: 17,87 €

Diameter of the roller D (mm): 84
 Width of the roller W (mm): 100
 Diameter of the bearing chamber D-BC (mm): 47
 Depth of the bearing chamber H-BC (mm): 16
 Shaft diameter AX (mm): 17
 Clamping length CL (mm): 101
 Roller material detail: POLYURETHANE + NYLON CENTRE

- **Single line part inquiry:** for a quick price and lead time of only 1 item
- **Multiple line part inquiry:** for price and lead time of several parts
- Instant price, availability and picture

TVH/107TA6667 Details

TVH/107TA6667

Sort of roller	STANDARD ROLLER WITH BEARING
Type of roller	
Diameter of the roller D (mm)	84
Width of the roller W (mm)	100
Diameter of the rim D-RIM (mm)	56
Diameter of the bearing chamber D-BC (mm)	47
Depth of the bearing chamber H-BC (mm)	16
Type of bearing (prefix)	6303
Subtype of bearing (suffix)	ZV
Shaft diameter AX (mm)	17
Sort of bearing	STANDARD BEARING
Clamping length CL (mm)	101
Material of the roller	POLYURETHANE
Roller material detail	POLYURETHANE + NYLON CENTRE
Material of the rim	NYLON
Reduction bushing present	NO
Bushing between bearings present	UNKNOWN
Groove for circlip present	NO
Rim and tyre	NO
Suitable for coldstore use	NO
One side is closed	NO
Grease nipple present	NO

The references in the catalogue only contain the most important info, but once the ref is entered via MTS, then extra info can be consulted such as:

- Extra technical info
- Larger (and more specific) photographs

No login yet? Request your login details now via ecommerce@tvh.com

Helpdesk: T +32 56 43 48 66



NICE TO KNOW

Types

To make it easier for you we have added a specific type designation to our Climax® and Totallifter® pallet trucks. Please send us this type (mentioned on your pallet truck) so we can help you with your parts.

Here you find an overview of our types:

Type	Type of pallet truck
TRP	Standard pallet truck
TRPI	Stainless steel pallet truck
TRPG	Galvanised pallet truck
TRW	Weighing pallet truck
TRWI	Stainless steel weighing pallet truck

Brands

To meet your requirements, TVH has 2 different private labels of handling equipment on the market. You can find more info about these 2 brands below:



Ergonomic. Durable. Versatile.

With its excellent quality and ergonomic applications, the Climax® range offers you an extensive choice. Pallet trucks, stackers and scissor pallet trucks are available in manual and semi-electric versions. Certain pallet trucks and stackers are even available in a fully electric version. In addition, Climax® can also provide you with minipullers, weighing pallet trucks and lift tables



Lift your load, boost your business

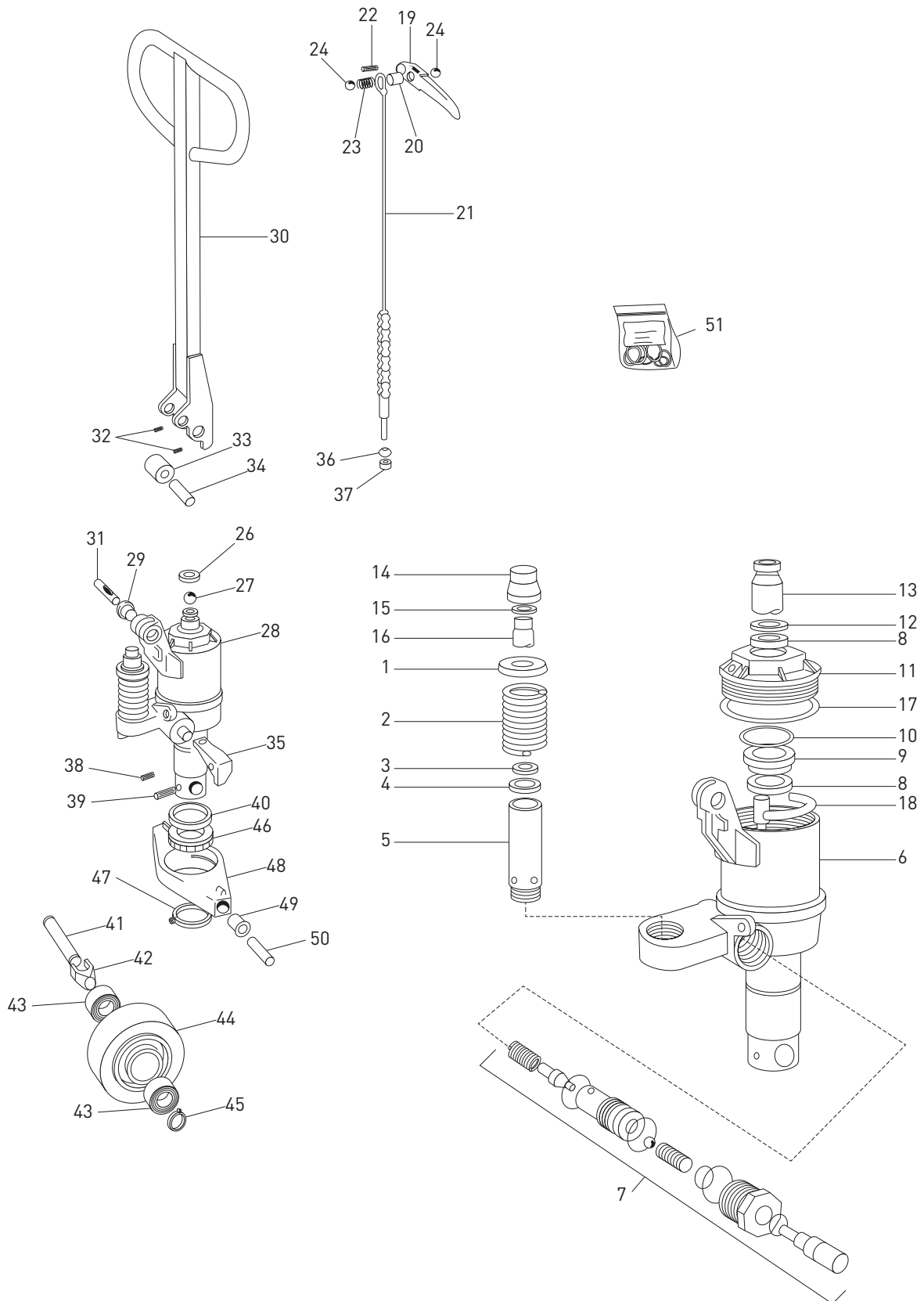
TotalLifter® has an extensive range of transport equipment that includes manual pallet trucks, stackers, scissor pallet trucks and jacks to lift your goods in an easy way. Scissor pallet trucks are even available in a semi-electric version.



Lined writing area with horizontal dotted lines.



HYDRAULIC UNIT BOLZONI TSM EASYLIFT



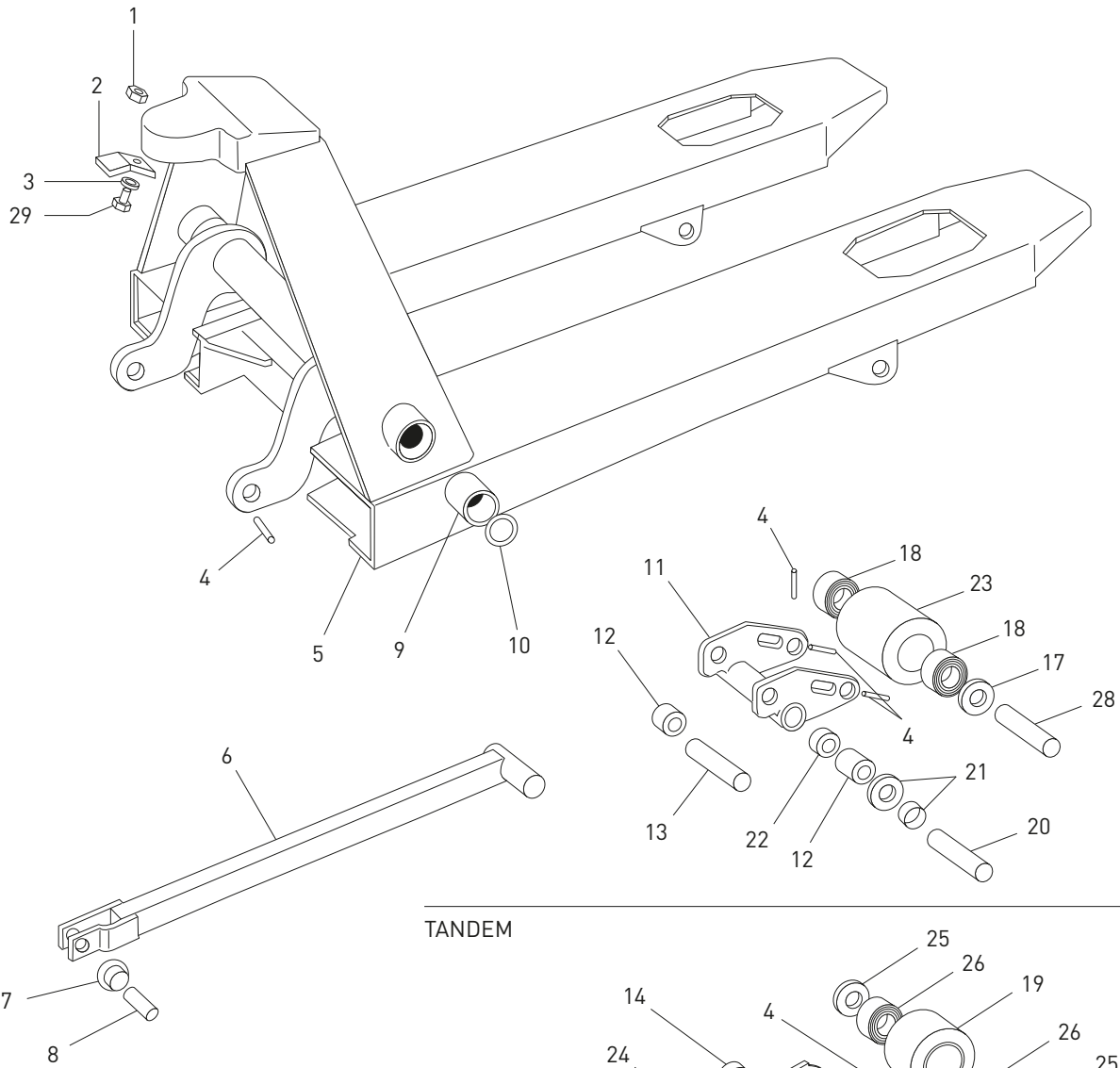


HYDRAULIC UNIT BOLZONI TSM EASYLIFT

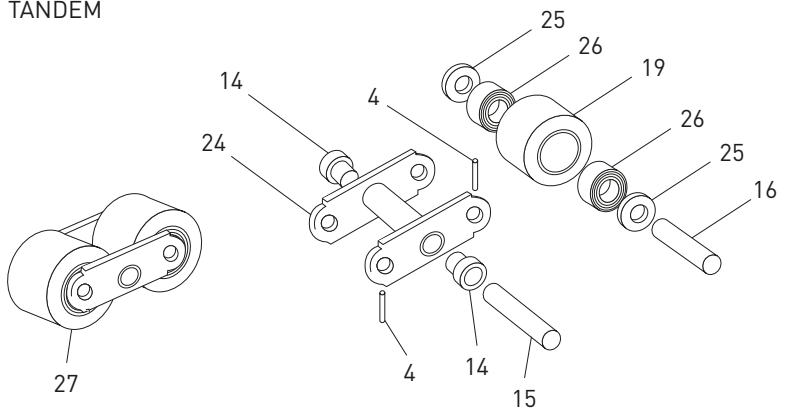
Nr	Description	Qty	REF	Nr	Description	Qty	REF
1	Cap, control handle pivot return spring	1	119TA9835	40	Spacer, pivot bearing hydraulic pump unit to chassis	1	120TA9715
2	Spring, control handle return torsion	1	119TA9836	41	Shaft, steer wheel	1	119TA9872
3	Wiper ring (polyurethane with metal outer ring)	1	119TA9906	42	Wheel spacer	2	119TA9873
4	Lip seal	1	120TA9738	44A	Wheel assembly, steer (rubber)	2	120TA9717
5	Body, hydraulic pump unit piston	1	119TA9838	44B	Wheel assembly, steer (polyurethane)	2	120TA9718
6	Pump housing	1	119TA9839	44C	Wheel assembly, steer (nylon)	2	120TA9750
7	Valve release, hydraulic unit	1	119TA9840	45	Circlip	2	120TA9751
8	Lip seal	2	120TA9689	46	Bearing, hydraulic unit pivot	1	120TA9720
9	Guide	1	119TA9842	47	Circlip	1	120TA9721
10	Circlip	1	120TA9690	48	Thrust plate, hydraulic pump unit mounting	1	120TA9722
11	Body, hydraulic pump unit piston	1	119TA9844	49	Bushing, torsion tube to thrust plate	2	120TA9723
12	Wiper ring (polyurethane)	1	120TA9691	50	Shaft, torsion tube to thrust plate	2	120TA9724
13	Piston, lift cylinder pallet truck	1	119TA9846	51	Kit seal, hydraulic unit	1	119TA9900
14	Bracket (roller)	1	119TA9847				
15	Circlip	1	120TA9692				
16	Piston, hydraulic pump unit	1	119TA9849				
17	O-ring	1	120TA9693				
18	Pipe	1	119TA9851				
19	Lever lowering, tiller	1	120TA9694				
20	Bushing	1	120TA9745				
21	Rod complete, lowering	1	120TA9746				
22	Elastic pin	1	120TA9697				
23	Spring	1	120TA9698				
24	Steel ball	2	120TA9699				
26	Washer (thickness: 6 mm)	1	120TA9703				
27	Steel ball, lift cylinder piston pallet truck	1	120TA9704				
28	Hydraulic unit	1	119TA9860				
29	Bushing, handle pivot	2	120TA9705				
30	Bracket, tiller arm	1	120TA9706				
31	Shaft, handle pivot	1	120TA9707				
32	Stud	2	120TA9708				
33	Roller, control handle pump	1	120TA9709				
34	Pin, control handle pump roller	1	120TA9710				
35	Lever lift control	1	120TA9711				
36	Ball joint	1	120TA9712				
37	Nut	1	120TA9713				
38	Elastic pin	1	120TA9714				
39	Elastic pin	1	119TA9870				



MAIN FRAME BOLZONI TSM EASYLIFT



TANDEM



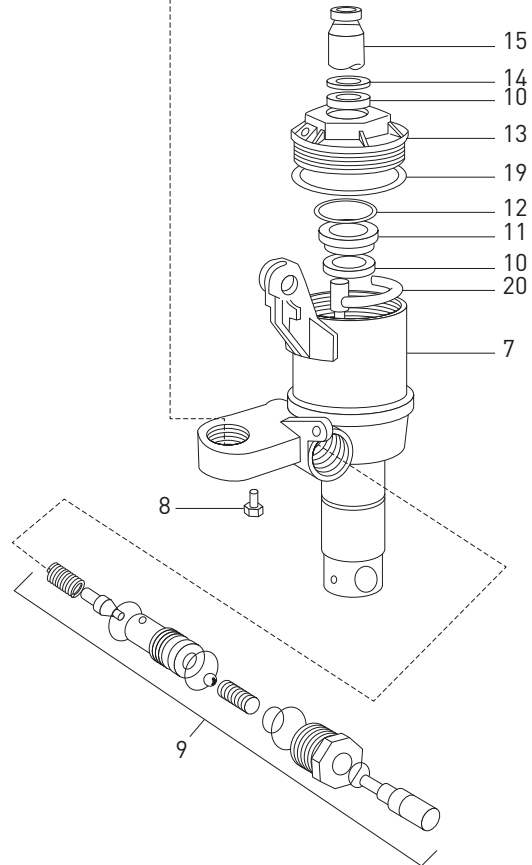
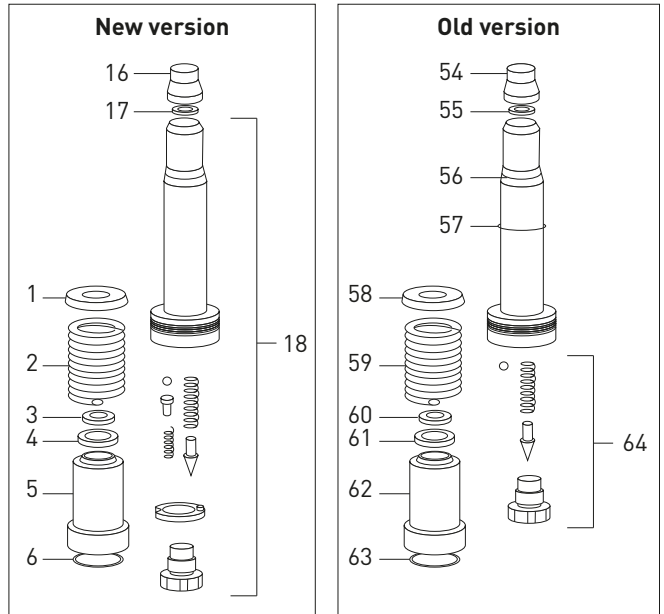
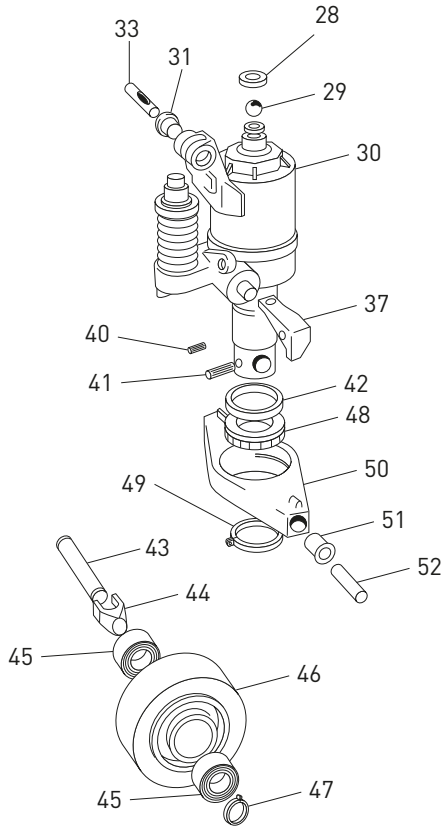
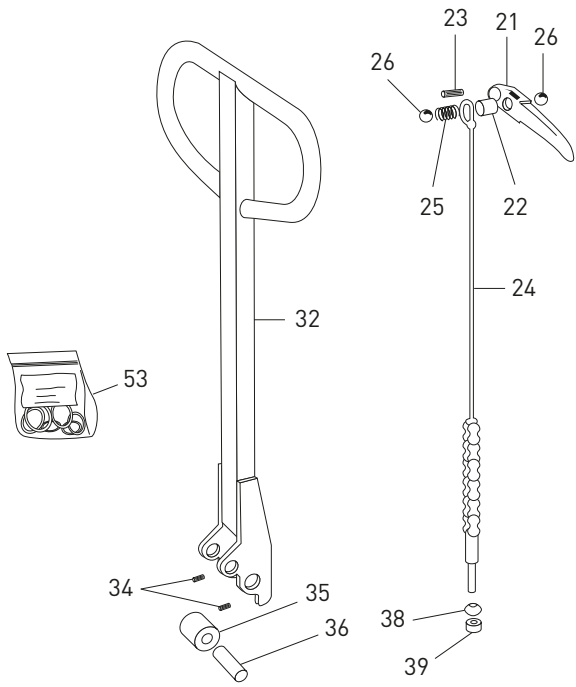


MAIN FRAME BOLZONI TSM EASYLIFT

Nr	Description	Qty	REF	Nr	Description	Qty	REF
1	Nut	2	120TA9700	23C	Wheel assembly, load (polyurethane) (single) (inner diameter: 17 mm)	2	119TA9899
2	Bracket	1	119TA9856	24	Fork, load wheel	2	103TA7687
3	Lock washer	2	120TA9701	27A	Load wheel and bracket assembly (polyurethane) (tandem complete)	2	119TA9903
4	Elastic pin	10	120TA9725	27B	Load wheel and bracket assembly (nylon) (tandem complete)	2	120TA9736
5	Frame	1	119TA9881	27C	Load wheel and bracket assembly (polyurethane) (tandem complete)	2	119TA9905
6	Push/pull rod assembly, lift structure	2	119TA9882				
7	Bushing, push/pull rod non fork end	4	120TA9705				
8	Shaft, push/pull rod non fork end	2	119TA9883				
9	Bushing, torsion tube pivot	2	120TA9726				
10	Circlip	2	120TA9727				
11	Fork, bracket load wheel	2	120TA9728				
12	Bushing	8	105TA2309				
13	Shaft, push/pull rod fork end	2	120TA9729				
14	Bushing, load wheel tandem pivot	4	120TA9730				
15	Shaft, center, fork load wheel	2	120TA9731				
16	Shaft/bolt load wheel	4	119TA9888				
17	Washer (thickness: 6 mm) (with collar)	4	120TA9732				
19A	Wheel assembly, load (nylon) (tandem) (inner diameter: 20 mm)	4	119TA9891				
19B	Wheel assembly, load (nylon) (tandem) (inner diameter: 17 mm)	4	107TA2923				
19C	Wheel assembly, load (polyurethane) (tandem) (inner diameter: 17 mm)	4	120TA9734				
19D	Wheel assembly, load (polyurethane) (tandem) (inner diameter: 20 mm)	4	119TA9893				
20	Shaft, fork load wheel bracket to chassis	1	119TA9894				
20	Axle, exit roller	1	119TA9894				
21	Wheel, exit roller	4	119TA9895				
22	Bushing (without collar)	2	119TA9896				
25	Washer (nylon) (thickness: 6 mm)	8	119TA9901				
28	Shaft/bolt load wheel	2	119TA9887				
29	Bolt (M16) (total length: 20,2 mm)	1	120TA9702				
23A	Wheel assembly, load (polyurethane) (single) (inner diameter: 17 mm)	2	119TA9897				
23B	Wheel assembly, load (nylon) (single) (inner diameter: 17 mm)	2	119TA9898				



HYDRAULIC UNIT BOLZONI TSM QUICKLIFT



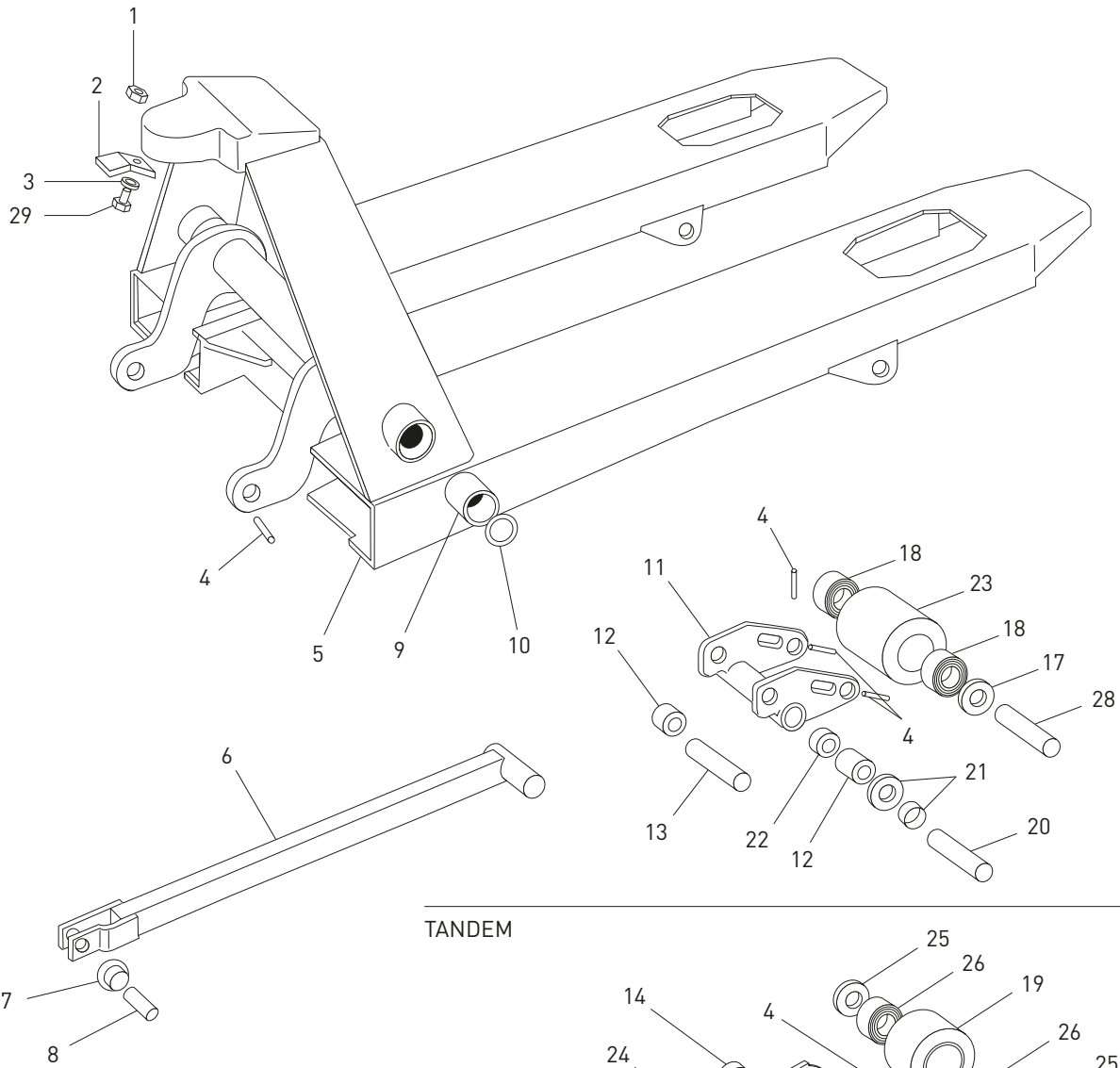


HYDRAULIC UNIT BOLZONI TSM QUICKLIFT

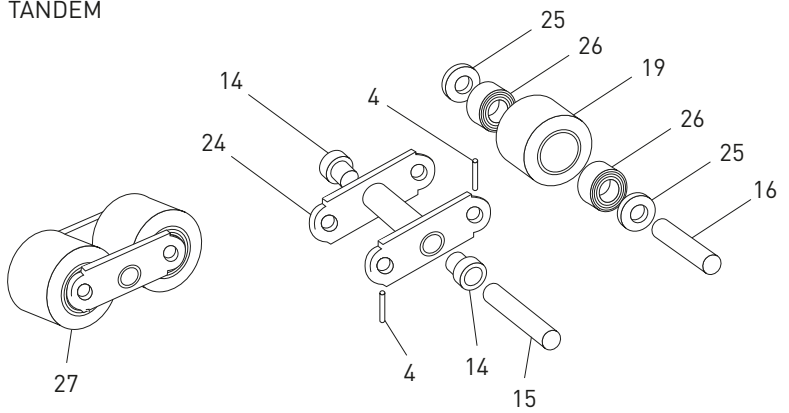
Nr	Description	Qty	REF	Nr	Description	Qty	REF
1	Washer (steel) (thickness: 2 mm)	1	119TA9907	41	Elastic pin	1	119TA9870
2	Spring, control handle return torsion	1	119TA9908	42	Spacer, pivot bearing hydraulic pump unit to chassis	1	120TA9715
3	Wiper ring (polyurethane with metal outer ring)	1	120TA9737	43	Shaft, steer wheel	1	119TA9872
4	Lip seal	1	120TA9738	44	Wheel spacer	2	119TA9873
5	Body, hydraulic pump unit piston	1	119TA9909	45	Bearing, hydraulic unit pivot	4	120TA9716
6	O-ring	1	120TA9739	46A	Wheel assembly, steer (rubber)	2	120TA9717
7	Housing, pump	1	119TA9911	46B	Wheel assembly, steer (polyurethane)	2	120TA9718
8	Screw	4	120TA9740	46C	Wheel assembly, steer (nylon)	2	120TA9750
9	Valve release, hydraulic unit	1	119TA9840	47	Circlip	2	120TA9751
10	Lip seal	2	120TA9689	48	Bearing, hydraulic unit pivot	1	120TA9720
11	Guide	1	120TA9741	49	Circlip	1	120TA9721
12	Circlip	1	120TA9690	50	Thrust plate, hydraulic pump unit mounting	1	120TA9722
13	Body, hydraulic pump unit piston	1	120TA9742	51	Bushing, torsion tube to thrust plate	2	120TA9723
14	Wiper ring (polyurethane)	1	120TA9691	52	Shaft, torsion tube to thrust plate	2	120TA9724
15	Piston, lift cylinder pallet truck	1	120TA9743	53	Kit seal, hydraulic unit	1	107TA6988
16	Bracket (roller)	1	119TA9847	54	Bracket (roller)	1	124TA8720
17	Circlip	1	120TA9692	55	Circlip	1	124TA6795
18	Piston, hydraulic pump unit	1	120TA9744	56	Piston, hydraulic pump unit	1	124TA6880
19	O-ring	1	120TA9693	57	O-ring	1	124TA6878
20	Pipe	1	119TA9851	58	Washer (steel) (thickness: 2 mm)	1	124TA6870
21	Lever lowering, tiller	1	120TA9694	59	Spring	1	124TA6871
22	Bushing	1	120TA9745	60	Wiper ring (polyurethane with metal outer ring)	1	124TA6778
23	Elastic pin	1	120TA9697	61	Lip seal	1	124TA6780
24	Rod complete, lowering	1	120TA9746	62	Body, hydraulic pump unit piston	1	124TA6872
25	Spring	1	120TA9698	63	O-ring	1	124TA6873
26	Steel ball	2	120TA9699	64	Valve release, hydraulic unit	1	124TA6877
28	Washer (thickness: 6 mm)	1	120TA9703				
29	Steel ball, lift cylinder piston pallet truck	1	120TA9704				
30	Hydraulic unit	1	119TA9914				
31	Bushing, handle pivot	2	120TA9705				
32	Bracket, tiller arm	1	120TA9706				
33	Shaft, handle pivot	1	120TA9707				
34	Stud	2	120TA9708				
35	Roller, control handle pump	1	120TA9709				
36	Pin, control handle pump roller	1	120TA9710				
37	Lever lift control	1	120TA9711				
38	Ball joint	1	120TA9712				
39	Nut	1	120TA9713				
40	Elastic pin	1	120TA9714				



MAIN FRAME BOLZONI TSM QUICKLIFT

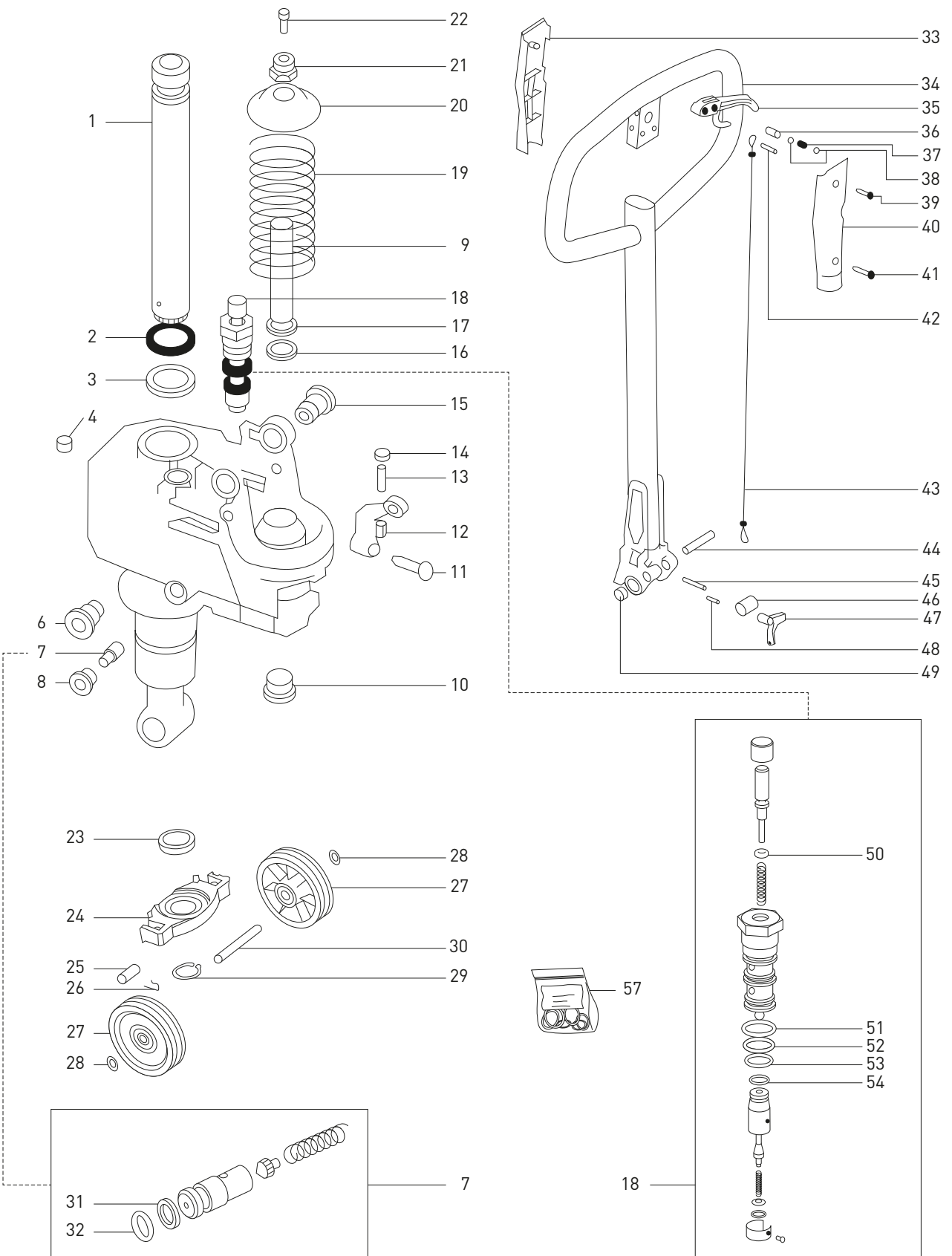


TANDEM





HYDRAULIC UNIT BOLZONI TSM 1 EASYLIFT



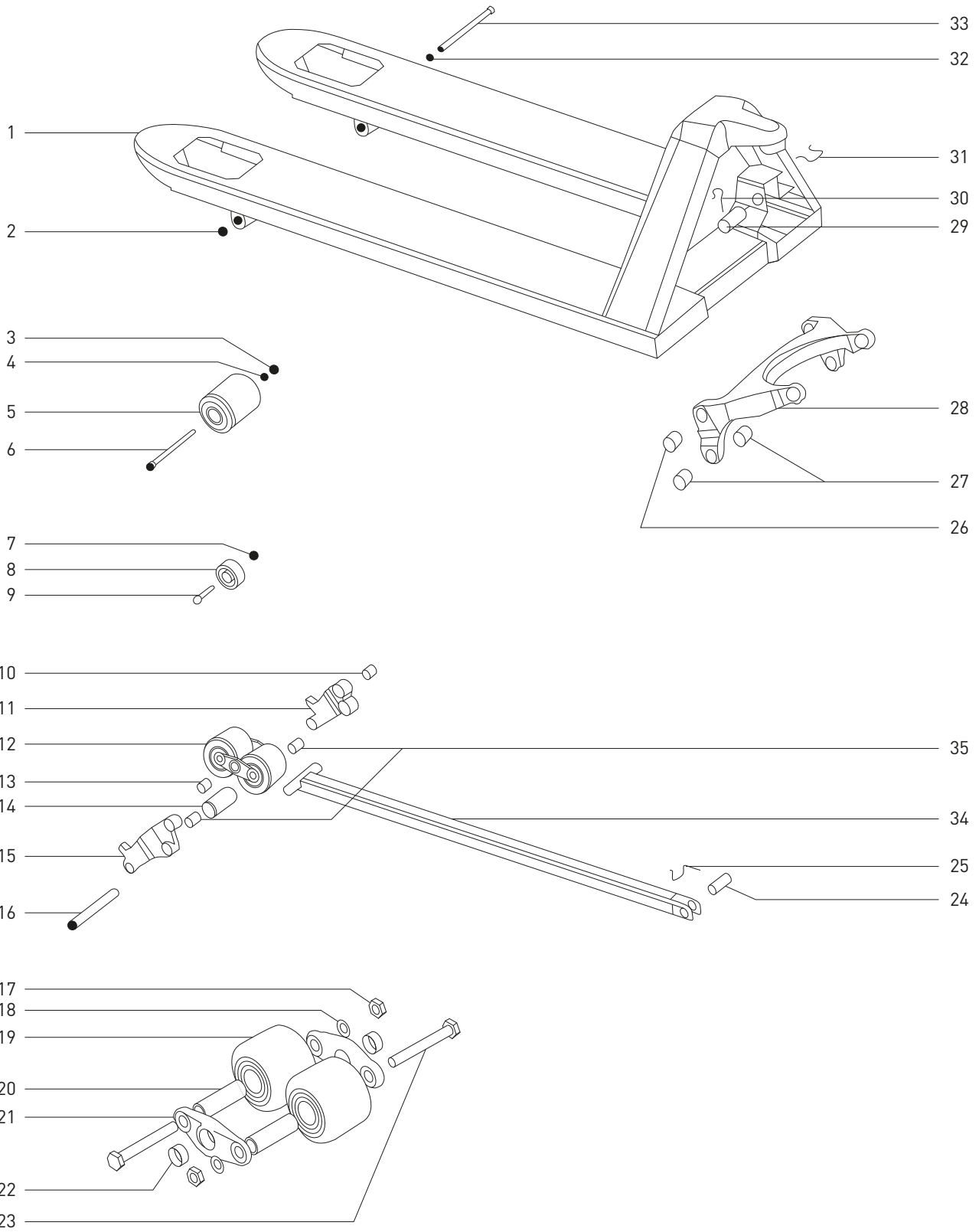
HYDRAULIC UNIT BOLZONI TSM 1 EASYLIFT

Nr	Description	Qty	REF
1	Piston, lift cylinder pallet truck	1	<u>124TA5660</u>
2	Wiper ring (polyurethane)	1	<u>124TA5662</u>
3	Lip seal	1	<u>120TA9689</u>
4	Fill plug, hydraulic pump	1	<u>124TA5665</u>
5	Housing	1	<u>124TA5712</u>
6	Shaft, control handle pivot LH	1	<u>124TA5669</u>
7	Valve release, hydraulic unit	1	<u>124TA5671</u>
8	Screw, plug (M14)	1	<u>124TA5673</u>
9	Piston, lift cylinder pallet truck	1	<u>124TA5713</u>
10	Screw, plug	1	<u>124TA5714</u>
11	Screw	1	<u>124TA5679</u>
12	Lever lift control	1	<u>124TA5681</u>
13	Screw	1	<u>124TA5682</u>
14	Nut	1	<u>120TA9700</u>
15	Shaft, control handle pivot RH	1	<u>124TA5683</u>
16	Lip seal	1	<u>120TA9738</u>
17	Wiper ring (polyurethane with metal outer ring)	1	<u>120TA9737</u>
18	Valve release, hydraulic unit	1	<u>124TA5684</u>
19	Spring, control handle return torsion	1	<u>119TA9908</u>
20	Washer (height: 18,5 mm)	1	<u>124TA5685</u>
21	Bracket	1	<u>124TA5686</u>
22	Screw	1	<u>124TA5687</u>
23	Bearing, hydraulic unit pivot	1	<u>124TA5688</u>
24	Thrust plate, hydraulic pump unit mounting	1	<u>124TA5689</u>
25	Shaft, torsion tube to thrust plate	1	<u>124TA5647</u>
26	Spring	4	<u>124TA5653</u>
27A	Wheel assembly, steer (rubber)	2	<u>124TA5690</u>
27B	Wheel assembly, steer (polyurethane)	2	<u>124TA5691</u>
27C	Wheel assembly, steer (nylon)	2	<u>124TA5692</u>
28	Circlip	2	<u>124TA5693</u>
29	Circlip	1	<u>124TA5694</u>
30	Shaft, steer wheel	1	<u>124TA5695</u>
31	Backup ring	1	<u>124TA5696</u>
32	O-ring	1	<u>124TA5697</u>
33	Cover	1	<u>124TA5715</u>
34	Bracket, tiller arm	1	<u>124TA5698</u>

Nr	Description	Qty	REF
35	Lever lowering, tiller	1	<u>124TA5699</u>
36	Bushing	1	<u>124TA5700</u>
37	Spring	1	<u>124TA5701</u>
38	Ball bearing	2	<u>124TA5661</u>
39	Screw	1	<u>124TA5663</u>
40	Cover	1	<u>124TA5664</u>
41	Screw	1	<u>124TA5666</u>
42	Elastic pin	1	<u>124TA5668</u>
43	Rod complete, lowering	1	<u>124TA5670</u>
44	Pin, control handle pump roller	1	<u>124TA5672</u>
45	Elastic pin	1	<u>124TA5674</u>
46	Roller, control handle pump	1	<u>124TA5676</u>
47	Lever lift control	1	<u>124TA5678</u>
48	Elastic pin	1	<u>124TA5680</u>
49	Bushing, handle pivot	2	<u>124TA5702</u>
50	O-ring	1	<u>124TA5704</u>
51	O-ring	1	<u>124TA5705</u>
52	O-ring	1	<u>124TA5706</u>
53	O-ring	1	<u>124TA5707</u>
54	O-ring	1	<u>124TA5708</u>
55	Hydraulic unit	1	<u>124TA5716</u>
56	Handle assembly	1	<u>124TA5717</u>
57	Kit seal, hydraulic unit	1	<u>124TA5718</u>



MAIN FRAME BOLZONI TSM 1 EASYLIFT





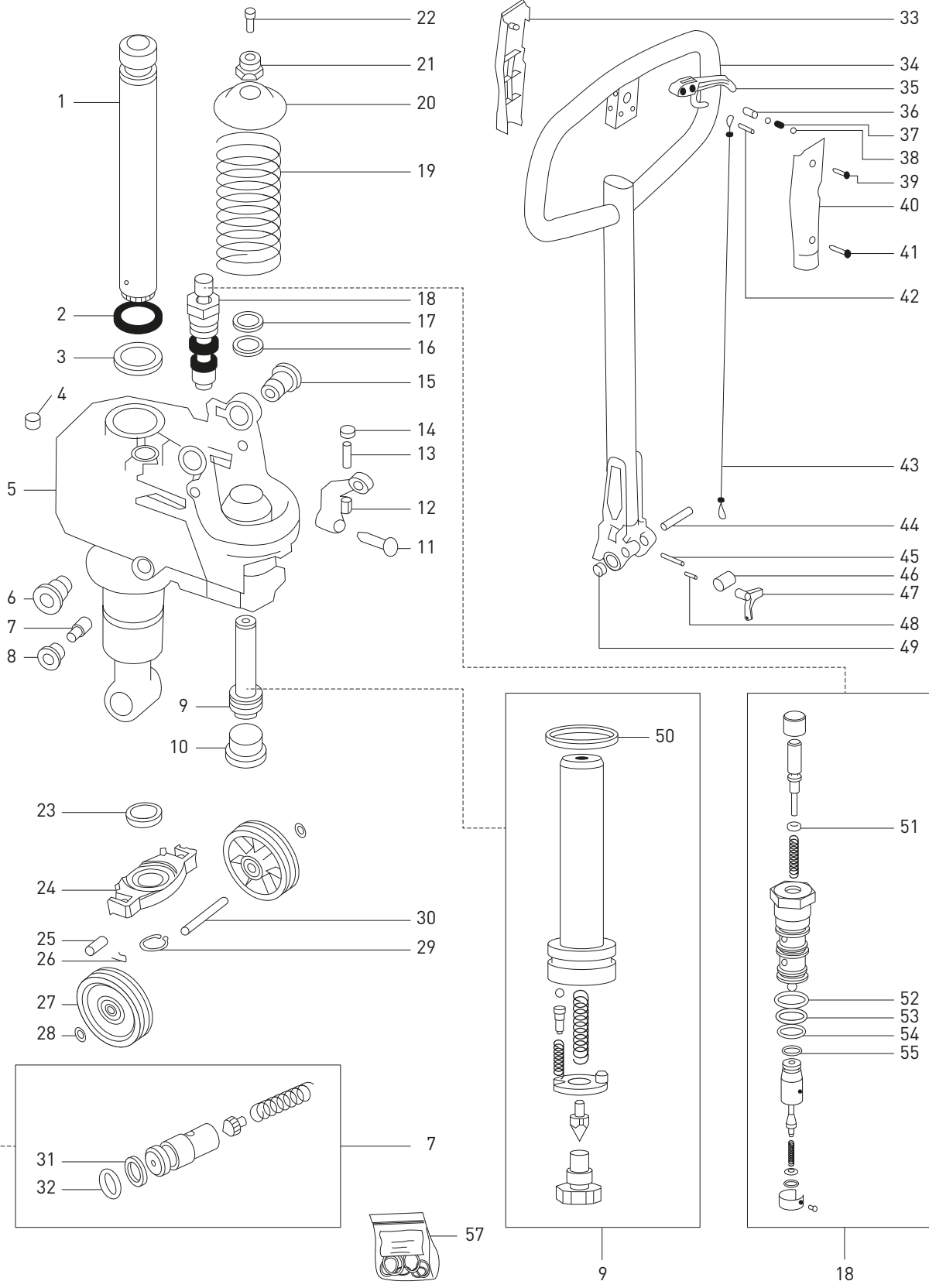
MAIN FRAME BOLZONI TSM 1 EASYLIFT

TSM 1 EASYLIFT

Nr	Description	Qty	REF	Nr	Description	Qty	REF
1A	Frame (950 x 530 mm)	1	124TA5619	22	Bushing, load wheel tandem pivot	4	124TA5645
1B	Frame (800 x 690 mm)	1	124TA6884	23	Bolt, load wheel	4	124TA5646
1C	Frame (1150 x 690 mm)	1	124TA6885	24	Bushing, push/pull rod non fork end	2	124TA5647
1D	Frame (1150 x 530 mm)	1	124TA5620	25	Spring	2	124TA5648
1E	Frame (950 x 690 mm)	1	124TA6886	26	Bushing, torsion tube pivot	2	124TA5649
1F	Frame (800 x 530 mm)	1	124TA5621	27	Bushing, push/pull rod non fork end	4	124TA5650
2	Nut	2	124TA5622	28	Torsion tube	1	124TA5651
3	Nut	2	124TA5622	29	Shaft pivot, torsion tube	2	124TA5652
4	Lock washer	2	124TA5623	30	Spring	4	124TA5653
5A	Wheel assembly, load (polyurethane) (single)	2	124TA5624	31	Spring	1	124TA5654
5B	Wheel assembly, load (polyurethane) (single)	2	124TA5625	32	Lock washer	2	124TA5623
5C	Wheel assembly, load (nylon) (single)	2	124TA5626	33	Shaft, fork load wheel bracket to chassis	2	124TA5655
6	Bolt, load wheel	2	124TA5627	34A	Push/pull rod assembly, lift structure (fork length: 800 mm)	2	124TA5656
7	Nut	2	124TA5628	34B	Push/pull rod assembly, lift structure (fork length: 950 mm)	2	124TA5657
8	Entry roller assembly	2	124TA5629	34C	Push/pull rod assembly, lift structure (fork length: 1150 mm)	2	124TA5658
9	Shaft/bolt, entry roller	2	124TA5630	35	Bushing, push/pull rod fork end	4	124TA5659
10	Bushing, fork load wheel bracket to push/pull rod	4	124TA5631				
11	Fork, bracket load wheel (RH side)	2	124TA5632				
12A	Load wheel and bracket assembly (nylon) (tandem complete)	2	124TA5633				
12B	Load wheel and bracket assembly (polyurethane) (tandem complete)	2	124TA5634				
12C	Load wheel and bracket assembly (polyurethane) (tandem complete)	2	124TA5635				
13	Bushing, fork load wheel bracket to push/pull rod	4	124TA5631				
14	Wheel, exit roller	2	124TA5711				
15	Fork, bracket load wheel (LH side)	2	124TA5636				
16	Axle, exit roller	2	124TA5637				
17	Nut	4	124TA5638				
18	Washer (thickness: 1 mm) (ribbed)	4	124TA5639				
19A	Wheel assembly, load (nylon) (tandem)	4	124TA5640				
19B	Wheel assembly, load (polyurethane) (tandem)	4	124TA5641				
19C	Wheel assembly, load (polyurethane) (tandem)	4	124TA5642				
20	Shaft/bolt load wheel	4	124TA5643				
21	Fork, load wheel	4	124TA5644				



HYDRAULIC UNIT BOLZONI TSM 1 QUICKLIFT



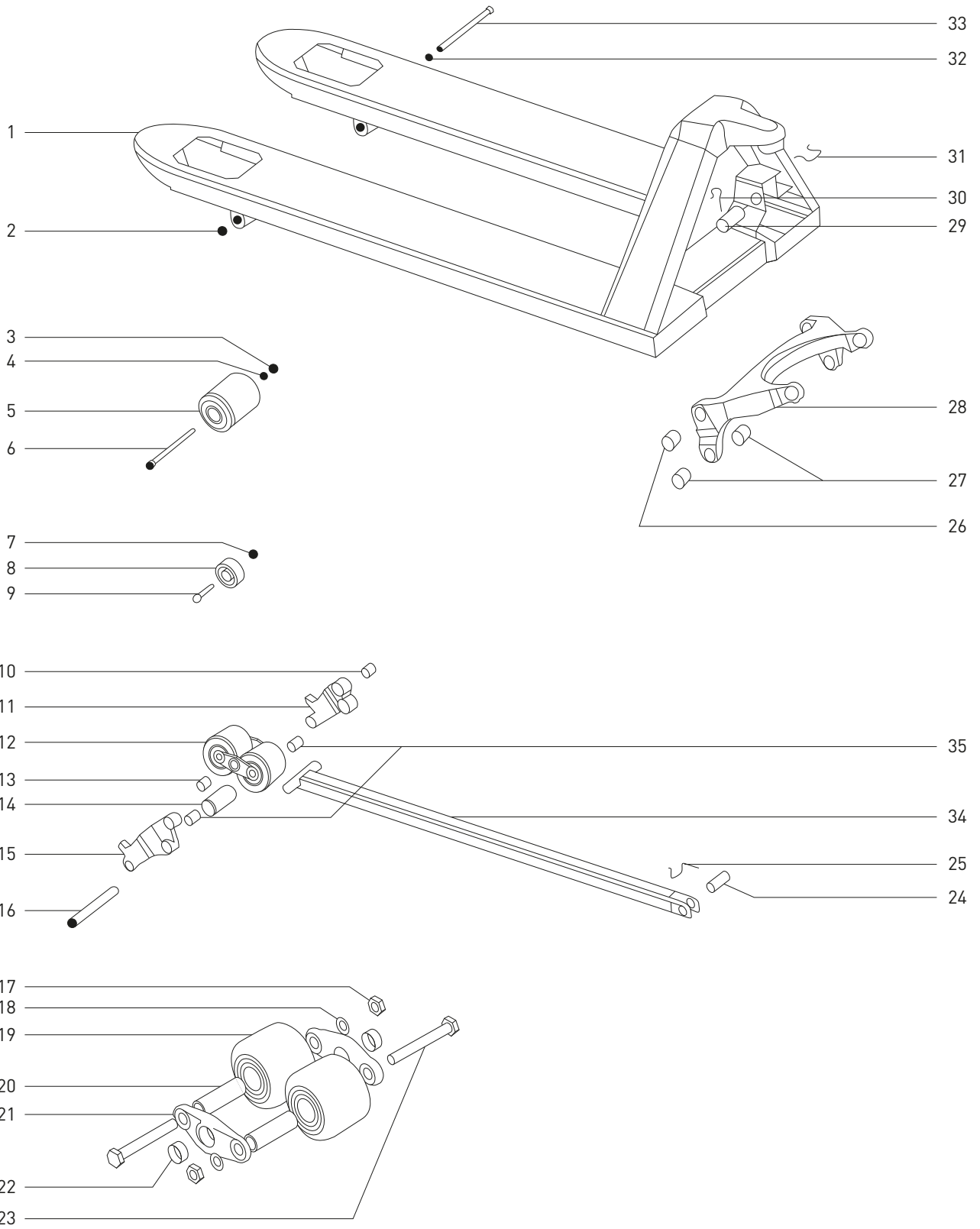


HYDRAULIC UNIT BOLZONI TSM 1 QUICKLIFT

Nr	Description	Qty	REF	Nr	Description	Qty	REF
1	Piston, lift cylinder pallet truck	1	124TA5660	35	Lever lowering, tiller	1	124TA5699
2	Wiper ring (polyurethane)	1	124TA5662	36	Bushing	1	124TA5700
3	Lip seal	1	120TA9689	37	Spring	1	124TA5701
4	Fill plug, hydraulic pump	1	124TA5665	38	Steel ball, lift cylinder piston pallet truck	2	124TA5661
5	Housing	1	124TA5667	39	Screw	1	124TA5663
6	Shaft, control handle pivot LH	1	124TA5669	40	Cover	1	124TA5664
7	Valve release, hydraulic unit	1	124TA5671	41	Screw	1	124TA5666
8	Screw, plug (M14)	1	124TA5673	42	Elastic pin	1	124TA5668
9	Piston, hydraulic pump unit	1	124TA5675	43	Rod complete, lowering	1	124TA5670
10	Plug	1	124TA5677	44	Pin, control handle pump roller	1	124TA5672
11	Screw	1	124TA5679	45	Elastic pin	1	124TA5674
12	Lever lift control	1	124TA5681	46	Roller, control handle pump	1	124TA5676
13	Screw	1	124TA5682	47	Lever lift control	1	124TA5678
14	Nut	1	120TA9700	48	Elastic pin	1	124TA5680
15	Shaft, control handle pivot RH	1	124TA5683	49	Bushing, handle pivot	2	124TA5702
16	Lip seal	1	120TA9738	50	O-ring	1	124TA5703
17	Wiper ring (polyurethane with metal outer ring)	1	120TA9737	51	O-ring	1	124TA5704
18	Valve release, hydraulic unit	1	124TA5684	52	O-ring	1	124TA5705
19	Spring, control handle return torsion	1	119TA9908	53	O-ring	1	124TA5706
20	Cap, control handle pivot return spring	1	124TA5685	54	O-ring	1	124TA5707
21	Bracket	1	124TA5686	55	O-ring	1	124TA5708
22	Screw	1	124TA5687	56	Hydraulic unit	1	124TA5709
23	Bearing, hydraulic unit pivot	1	124TA5688	57	Kit seal, hydraulic unit	1	124TA5710
24	Thrust plate, hydraulic pump unit mounting	1	124TA5689				
25	Shaft, torsion tube to thrust plate	1	124TA5647				
26	Spring	4	124TA5653				
27A	Wheel assembly, steer (rubber)	2	124TA5690				
27B	Wheel assembly, steer (polyurethane)	2	124TA5691				
27C	Wheel assembly, steer (nylon)	2	124TA5692				
28	Circlip	2	124TA5693				
29	Circlip	1	124TA5694				
30	Shaft, steer wheel	1	124TA5695				
31	Backup ring	1	124TA5696				
32	O-ring	1	124TA5697				
33	Cover	1	147TA3687				
34	Bracket, tiller arm	1	124TA5698				



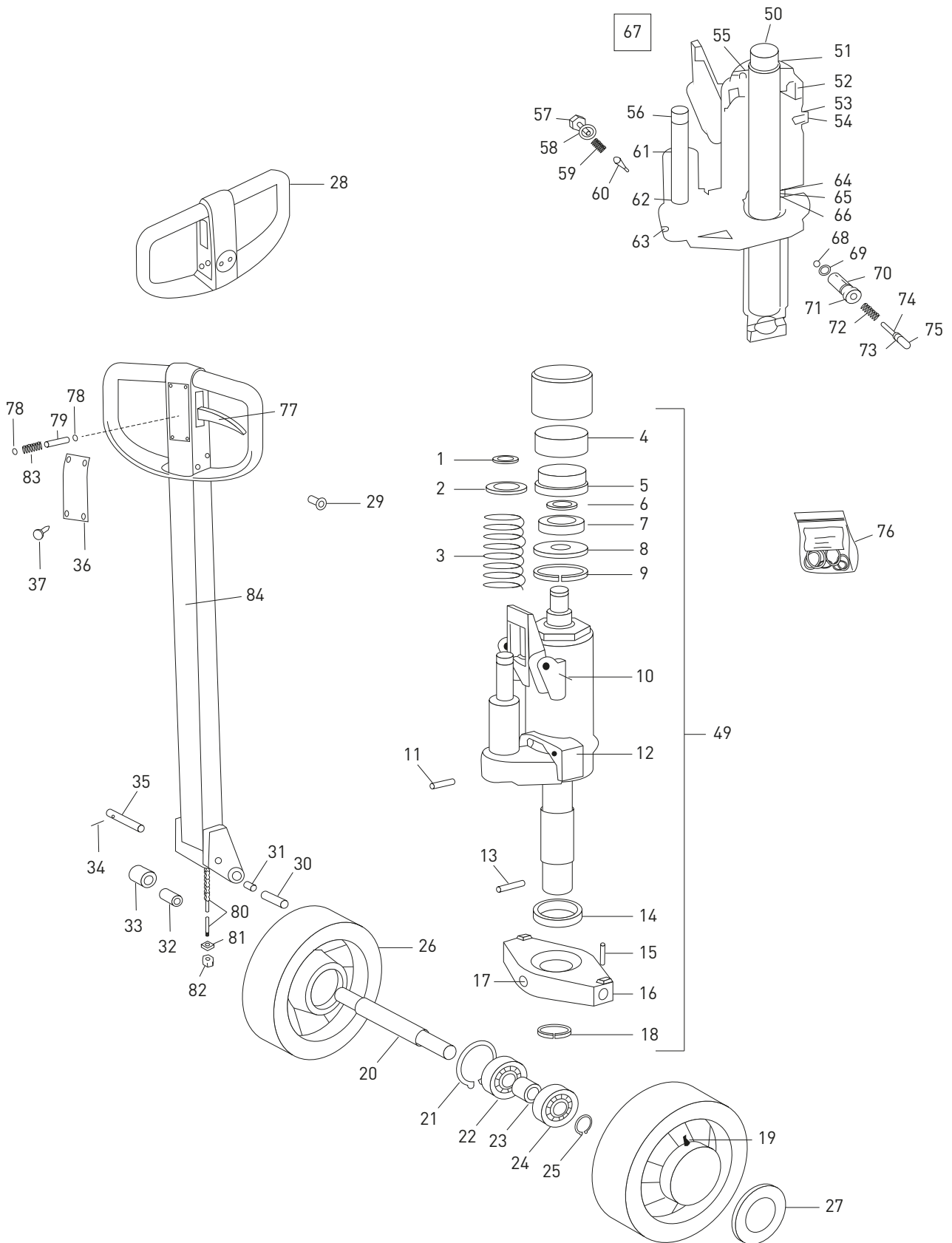
MAIN FRAME BOLZONI TSM 1 QUICKLIFT





LHM230 (3121000-32999999)

HYDRAULIC UNIT BT LHM230 (3121000-32999999)





HYDRAULIC UNIT BT LHM230 (3121000-32999999)

Nr	Description	Qty	REF
1	Circlip	1	107TA6580
2	Cap, control handle pivot return spring	1	107TA6581
3	Spring, control handle return torsion	1	105TA4608
4	Insert	1	107TA6582
5	Housing, bearing	1	107TA6583
6	Circlip	1	107TA6584
7	Ball bearing	1	107TA6585
8	Washer (nylon) (thickness: 3 mm)	1	107TA6586
9	Circlip	1	107TA6587
10	Lock pin	2	107TA6588
11	Lock pin	1	107TA6589
12	Lever lift control	1	107TA6590
13	Lock pin	1	107TA6591
14	Bearing, hydraulic unit pivot	1	106TA6779
15	Circlip	2	107TA6592
16	Thrust plate, hydraulic pump unit mounting	1	106TA6781
17	Grease nipple	1	107TA6593
18	Circlip	1	107TA6595
19	Grease nipple	1	107TA6594
20	Shaft, steer wheel	1	107TA6596
21	Circlip	2	107TA6597
22	Ball bearing	2	107TA3175
23	Bushing	2	123TA6139
24	Ball bearing	2	107TA3175
25	Circlip	2	107TA6600
26A	Wheel assembly, steer (rubber)	2	107TA6601
26B	Wheel assembly, steer (polyurethane) (nylon rim)	2	107TA6606
26C	Wheel assembly, steer (nylon)	2	107TA6605
26D	Wheel assembly, steer (steel)	2	123TA6140
27	Cap, front wheel hub	2	122TA7004
28	Lowering lever	1	123TA6141
29	Rivet	4	123TA6142
30	Axle	1	107TA6618
31	Bushing, handle pivot	2	123TA6143
32	Bushing, control handle pump roller	1	107TA6625
33	Roller, control handle pump	1	107TA6621
34	Lock pin	1	123TA6144
35	Pin, control handle pump roller	1	107TA6619

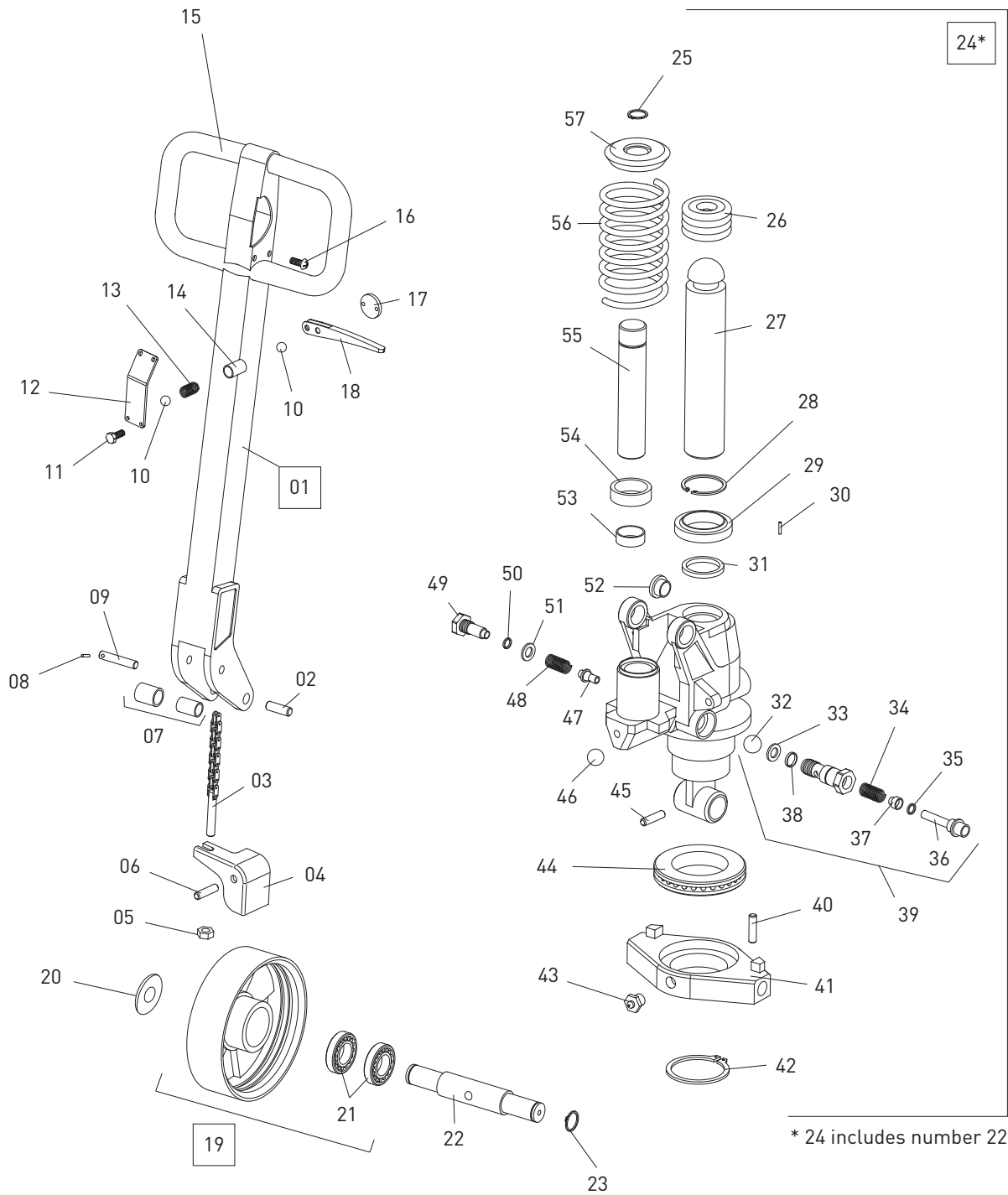
Nr	Description	Qty	REF
36	Cover, tiller head	1	123TA6145
37	Screw	4	123TA6146
49	Hydraulic unit	1	107TA6626
50	Piston, lift cylinder pallet truck	1	107TA6627
51	Body, hydraulic pump unit piston	1	107TA6628
52	O-ring	1	107TA6629
53	Washer (synthetic) (thickness: 4 mm)	1	107TA6630
54	Screw	1	107TA6631
55	Oil seal	1	107TA6632
56	Piston, hydraulic pump unit	1	107TA6634
57	Screw	1	107TA6635
58	Washer (copper) (thickness: 2,5 mm)	1	105TA1188
59	Spring (valve)	1	107TA6636
60	Plunger valve	1	107TA6637
61	Oil seal	1	107TA6638
62	Circlip	1	107TA6640
63	Steel ball	1	107TA6641
64	Circlip	1	107TA6642
65	Turning (bronze)	1	107TA6643
66	Lip seal	1	107TA6644
67A	Hydraulic unit	1	107TA6645
67B	Hydraulic unit	1	107TA6647
67C	Seal kit (valve unit)	1	107TA6648
68	Steel ball	1	107TA6641
69	Washer (copper) (thickness: 1,4 mm)	1	105TA1358
70	O-ring	1	107TA6649
71	Valve housing	1	107TA6650
72	Spring	1	107TA6651
73	Lip seal	1	107TA6652
74	Guide	1	107TA6653
75	Plunger, valve	1	106TA7043
76	Kit seal, hydraulic unit	1	107TA6576
77	Lever lowering, tiller	1	123TA6147
78	Steel ball	2	107TA6613
79	Bushing (without collar)	1	107TA6615
80	Rod complete, lowering	1	107TA6622
81	Spring	1	107TA6623
82	Hexagonal nut	1	107TA6624
83	Spring	1	107TA6614
84	Handle assembly	1	123TA6150

LHM230 (3121000-32999999)



LHM230 (3300000-)

HYDRAULIC UNIT BT LHM230 (3300000-)





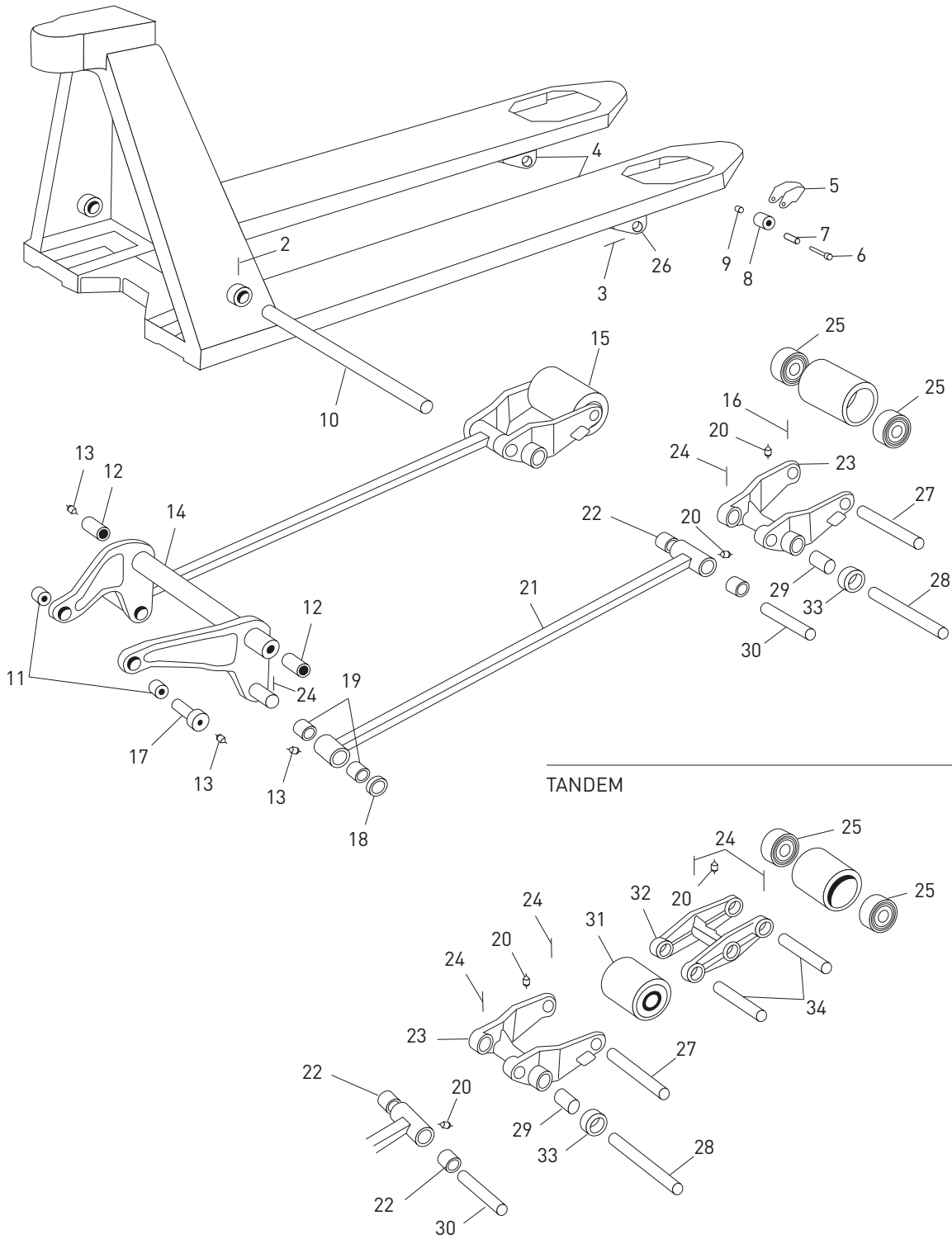
HYDRAULIC UNIT BT LHM230 (3300000-)

Nr	Description	Qty	REF	Nr	Description	Qty	REF
1	Handle assembly	1	128TA4680	38	O-ring	1	107TA6649
2	Axle	1	128TA4681	39	Valve release, hydraulic unit	1	128TA4696
3	Rod complete, lowering	1	128TA4682	40	Elastic pin	2	107TA6592
4	Lever lift control	1	128TA4683	41	Thrust plate, hydraulic pump unit mounting	1	128TA4697
5	Hexagonal nut	1	107TA6624	42	Circlip	1	128TA4698
6	Elastic pin	1	128TA4684	43	Grease nipple	1	107TA6594
7	Roller kit, control handle pump	1	128TA4685	44	Bearing, hydraulic unit pivot	1	128TA4699
8	Elastic pin	1	107TA6620	45	Elastic pin	1	128TA4684
9	Pin, control handle pump roller	1	107TA6619	46	Steel ball	1	107TA6641
10	Steel ball	2	107TA6641	47	Valve plunger	1	128TA4700
11	Screw	4	123TA6146	48	Spring	1	107TA6636
12	Cover, tiller head	1	123TA6145	49	Screw	1	128TA4701
13	Spring	1	128TA4686	50	O-ring	1	128TA4702
14	Bushing	1	107TA6615	51	Bonded seal (steel) (height: 1,5 mm)	1	128TA4703
15	Bracket, tiller arm	1	123TA6141	52	Shaft, handle pivot	2	128TA4704
16	Rivet	4	128TA4687	53	Lip seal	1	128TA4705
17	Decal, make (bt) (round)	1	128TA4688	54	Oil seal	1	107TA6638
18	Lever lowering, tiller	1	123TA6147	55	Piston, hydraulic pump unit	1	128TA4706
19A	Wheel assembly, steer (nylon)	2	107TA6605	56	Spring, control handle return torsion	1	128TA4707
19B	Wheel assembly, steer (polyurethane) (nylon rim)	2	107TA6606	57	Cap, control handle pivot return spring	1	128TA4708
19C	Wheel assembly, steer (rubber)	2	107TA6601		Kit seal, hydraulic unit	1	128TA4709
20	Cap, front wheel hub	2	122TA7004		Kit seal, hydraulic unit	1	128TA4710
21	Bearing	4	124TA2111		Kit seal, hydraulic unit	1	128TA4711
22	Shaft, steer wheel	1	128TA4689				
23	Circlip	2	107TA6600				
24	Hydraulic unit	1	128TA4690				
25	Circlip	1	107TA6580				
26	Sleeve	1	128TA4691				
27	Piston, lift cylinder pallet truck	1	128TA4692				
28	Circlip	1	128TA4693				
29	Oil seal	1	107TA6632				
30	Elastic pin	1	107TA6655				
31	Lip seal	1	128TA4694				
32	Steel ball	1	107TA6641				
33	Sealing ring (copper) (thickness: 0,9 mm)	1	128TA4695				
34	Spring	1	107TA6651				
35	Lip seal	1	107TA6652				
36	Plunger, valve	1	106TA7043				
37	Guide, spring	1	107TA6653				



LHM230 (3121000-)

MAIN FRAME BT LHM230 (3121000-)




MAIN FRAME BT LHM230 (3121000-)

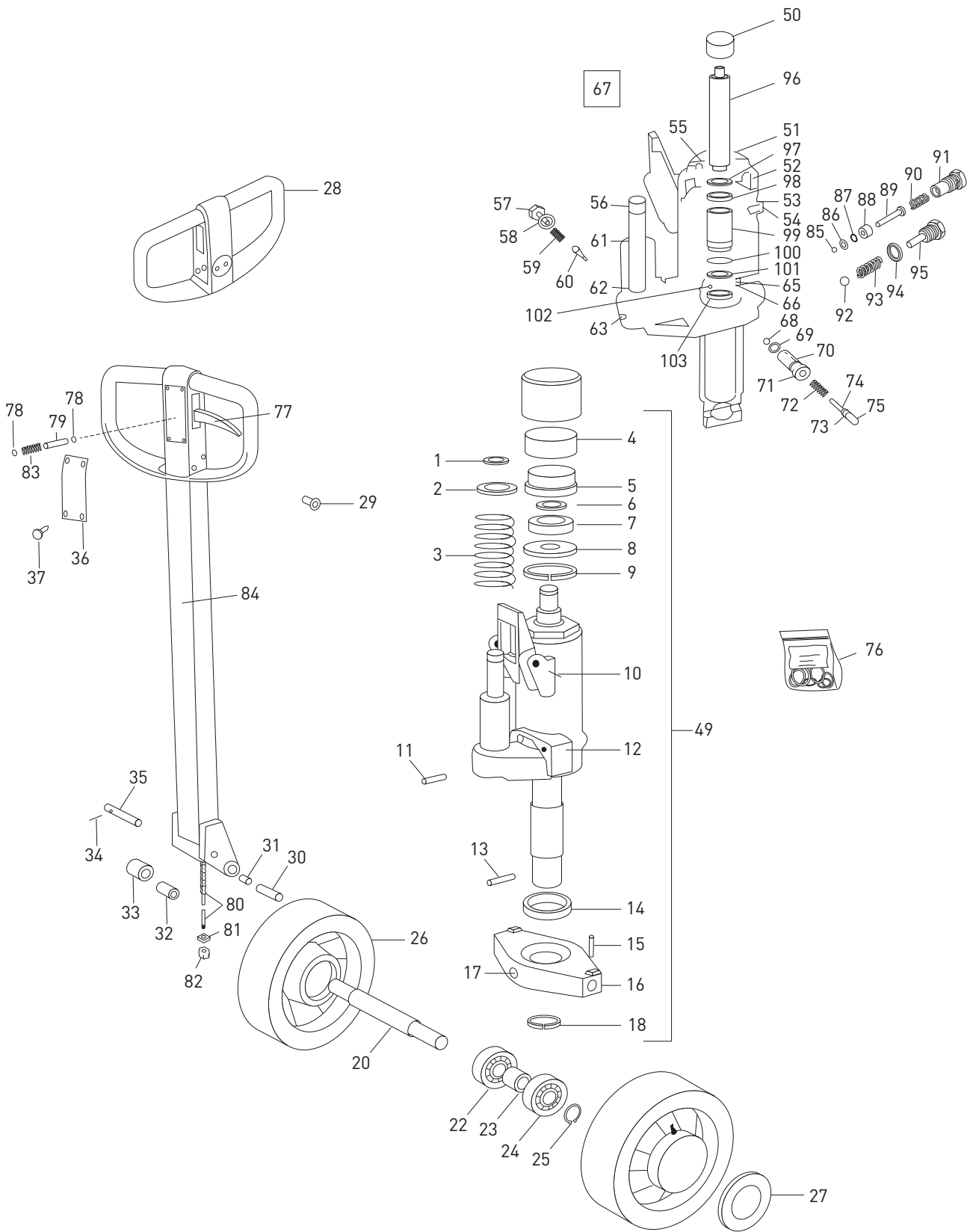
Nr	Description	Qty	REF
2	Lock pin	1	<u>107TA6592</u>
3	Lock pin	4	<u>107TA6655</u>
4	Ear	2	<u>107TA6688</u>
5	Clamp	2	<u>107TA6658</u>
6	Shaft/bolt, entry roller	2	<u>107TA6659</u>
7	Spacer, entry roller	2	<u>107TA6660</u>
8	Wheel, entry roller	2	<u>107TA2891</u>
9	Hexagonal nut	2	<u>107TA6661</u>
10	Shaft pivot, torsion tube	1	<u>107TA6662</u>
11	Bushing, torsion tube to thrust plate	2	<u>105TA1924</u>
12	Bushing, torsion tube pivot	2	<u>105TA2177</u>
13	Grease nipple	2	<u>107TA6594</u>
14	Torsion tube	1	<u>107TA6663</u>
16	Lock pin	2	<u>107TA6592</u>
17	Shaft, torsion tube to thrust plate	2	<u>123TA6148</u>
18	Washer (thickness: 4,2 mm)	2	<u>107TA6670</u>
19	Bushing, push/pull rod non fork end	4	<u>107TA6671</u>
20	Grease nipple	8	<u>107TA6594</u>
21	Push/pull rod assembly, lift structure	2	<u>105TA4604</u>
22	Bushing, push/pull rod fork end	4	<u>105TA2174</u>
23	Fork, bracket load wheel	2	<u>106TA7393</u>
24	Lock pin	6	<u>107TA6592</u>
25	Ball bearing	4	<u>107TA6675</u>
26	Ear	2	<u>107TA6688</u>
27	Shaft/bolt load wheel	2	<u>107TA6677</u>
28	Shaft, fork load wheel bracket to chassis	2	<u>107TA6679</u>
29	Bushing, fork load wheel bracket to chassis	4	<u>105TA2175</u>
30	Shaft, push/pull rod fork end	2	<u>107TA6681</u>
32	Fork, load wheel	2	<u>107TA6684</u>
33	Wheel, exit roller	2	<u>106TA7045</u>
34	Shaft/bolt load wheel	4	<u>106TA7044</u>
15A	Wheel assembly, load (nylon) (single)	2	<u>107TA2928</u>
15B	Wheel assembly, load (polyurethane) (nylon rim) (single)	2	<u>107TA6667</u>
15C	Wheel assembly, load (Vulkollan®) (single)	2	<u>107TA6668</u>
15D	Wheel assembly, load (steel) (single)	2	<u>107TA6666</u>

Nr	Description	Qty	REF
31A	Wheel assembly, load (nylon) (tandem)	4	<u>107TA2936</u>
31B	Wheel assembly, load (Vulkollan®) (tandem)	4	<u>107TA2788</u>
31C	Wheel assembly, load (steel) (tandem)	4	<u>123TA6149</u>
31D	Wheel assembly, load	4	<u>107TA6683</u>



LHM230 QUICK (-3299999)

HYDRAULIC UNIT BT LHM230 QUICK (-3299999)





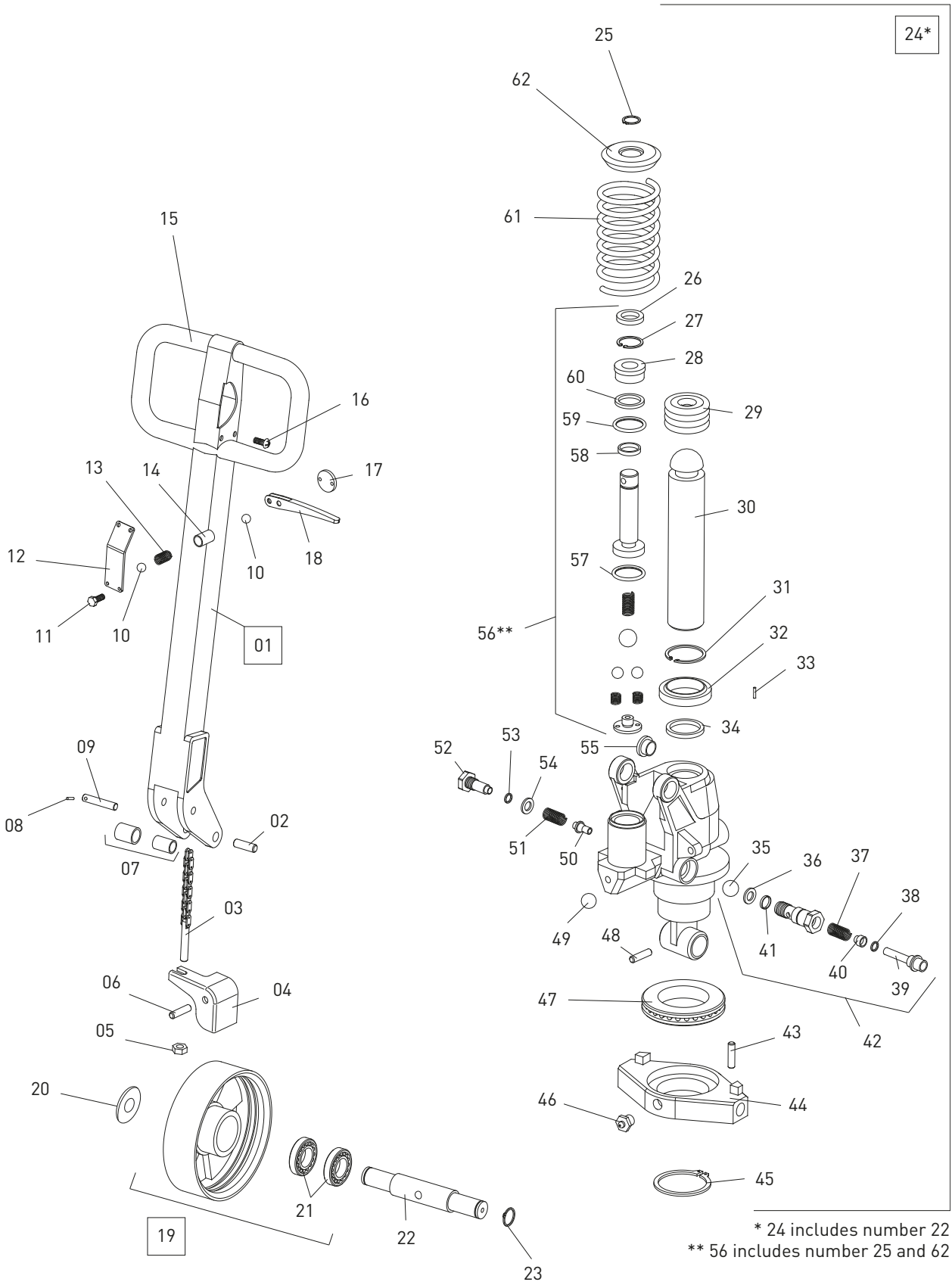
HYDRAULIC UNIT BT LHM230 QUICK (-3299999)

Nr	Description	Qty	REF
1	Circlip	1	107TA6580
2	Turning	1	107TA6581
3	Spring, control handle return torsion	1	105TA4608
4	Insert	1	107TA6582
5	Housing, bearing	1	124TA2108
6	Circlip	1	107TA6584
7	Ball bearing	1	107TA6585
8	Shim (thickness: 3 mm)	1	107TA6586
9	Circlip	1	107TA6587
10	Elastic pin	2	107TA6588
11	Elastic pin	1	124TA2109
12	Lever lift control	1	107TA6590
13	Elastic pin	1	124TA2109
14	Bearing, hydraulic unit pivot	1	106TA6779
15	Elastic pin	2	107TA6592
16	Thrust plate, hydraulic pump unit mounting	1	106TA6781
17	Grease nipple	1	107TA6594
18	Circlip	1	107TA6595
20	Shaft, steer wheel	1	107TA6596
22	Ball bearing	1	124TA2111
23	Bushing	2	123TA6139
24	Ball bearing	1	124TA2111
25	Circlip	2	107TA6600
26A	Wheel assembly, steer (vulkolan)	2	107TA3102
26B	Wheel assembly, steer (rubber)	2	107TA6601
26C	Wheel assembly, steer (nylon)	2	107TA6605
26D	Wheel assembly, steer (poly) (nylon core)	2	107TA6606
27	Cap, front wheel hub	2	122TA7004
28	Handle, tiller	1	123TA6141
29	Rivet	4	123TA6142
30	Shaft, handle pivot	2	107TA6618
31	Bushing, handle pivot	2	123TA6143
32	Bushing, control handle pump roller	1	107TA6625
33	Roller, control handle pump	1	124TA7264
34	Elastic pin	1	107TA6620
35	Pin, control handle pump roller	1	107TA6619
36	Cap	1	123TA6145
37	Screw	4	123TA6146
49	Hydraulic unit	1	124TA2113
51	Oil seal	1	107TA6632
52	Body, hydraulic pump unit piston (lift cylinder)	1	124TA1646
53	Washer	1	124TA2114
54	Screw	1	107TA6631
55	O-ring	1	107TA6629
56	Piston, hydraulic pump unit	1	107TA6634

Nr	Description	Qty	REF
57	Screw	1	107TA6635
58	Sealing ring (copper)	1	105TA1188
59	Spring	1	107TA6636
60	Plunger valve	1	107TA6637
61	Oil seal	1	107TA6638
62	Lip seal	1	107TA6640
63	Steel ball	1	107TA6641
65	Shim (thickness: 1 mm)	1	124TA1650
66	Turning	1	124TA1652
67A	Kit seal, hydraulic unit (lift cylinder)	1	124TA1654
67B	Kit seal, hydraulic unit (valve unit)	1	124TA1656
68	Steel ball	1	107TA6641
69	Sealing ring (copper)	1	105TA1358
70	O-ring	1	107TA6649
71	Body, valve	1	124TA2115
72	Spring	1	107TA6651
73	Lip seal	1	107TA6652
74	Guide	1	107TA6653
75	Plunger	1	106TA7043
76	Kit seal, hydraulic unit (complete)	1	107TA6990
77	Lever lowering, tiller	1	123TA6147
78	Steel ball	2	107TA6613
79	Bushing	1	107TA6615
80	Rod complete, lowering	1	107TA6622
81	Spring	1	107TA6623
82	Hexagonal nut	1	107TA6624
83	Spring	1	107TA6614
84	Handle assembly	1	123TA6150
85	Steel ball	1	124TA1658
86	Shim (thickness: 1,5 mm)	1	124TA1660
87	O-ring	1	124TA1662
88	Bushing	1	124TA1664
89	Plunger	2	124TA1670
90	Spring	1	124TA1666
91	Screw	1	124TA1668
92	Steel ball	1	107TA6641
93	Spring	1	107TA6636
94	Sealing ring (copper)	1	105TA1188
95	Screw	1	124TA1672
96	Piston, lift cylinder pallet truck	1	124TA1644
97	Lip seal	1	107TA6644
98	Shim (thickness: 3 mm)	1	128TA4722
99	Housing, cylinder	1	128TA4723
100	O-ring	1	124TA1648
101	Shim (thickness: 1 mm)	1	124TA1650
102	Steel ball	2	124TA1658
103	Turning	1	128TA4724



HYDRAULIC UNIT BT LHM230 QUICK (3300000-)



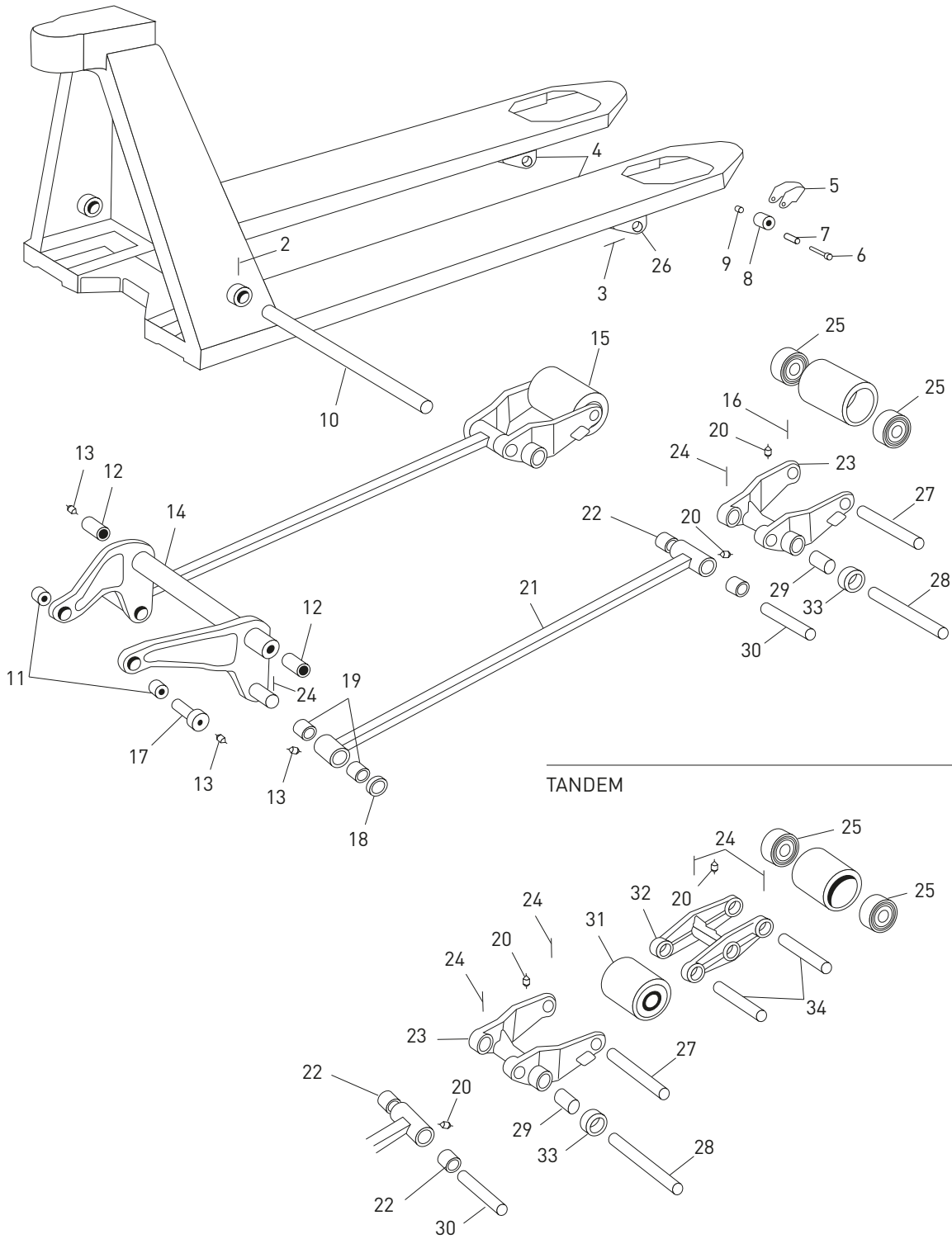


HYDRAULIC UNIT BT LHM230 QUICK (3300000-)

Nr	Description	Qty	REF	Nr	Description	Qty	REF
1	Handle assembly	1	128TA4680	39	Plunger	1	106TA7043
2	Shaft, handle pivot	1	128TA4681	40	Spring guide	1	107TA6653
3	Rod complete, lowering	1	128TA4682	41	O-ring	1	107TA6649
4	Lever lift control	1	128TA4683	42	Valve release, hydraulic unit	1	128TA4696
5	Hexagonal nut	1	107TA6624	43	Elastic pin	2	107TA6592
6	Elastic pin	1	128TA4684	44	Thrust plate, hydraulic pump unit mounting	1	128TA4697
7	Roller, control handle pump (roller and bushing)	1	128TA4685	45	Circlip	1	128TA4716
8	Elastic pin	1	107TA6620	46	Grease nipple	1	107TA6594
9	Pin, control handle pump roller	1	107TA6619	47	Bearing, hydraulic unit pivot	1	128TA4699
10	Steel ball	2	107TA6641	48	Elastic pin	1	128TA4684
11	Screw	4	123TA6146	49	Steel ball	1	107TA6641
12	Cap	1	123TA6145	50	Plunger valve	1	128TA4700
13	Spring	1	128TA4686	51	Spring	1	107TA6636
14	Bushing	1	107TA6615	52	Screw	1	128TA4701
15	Handle, tiller	1	123TA6141	53	O-ring	1	128TA4702
16	Rivet	4	128TA4687	54	Bonded seal	1	128TA4703
17	Decal horizontal, brand name (round)	1	128TA4688	55	Shaft, handle pivot	2	128TA4704
18	Handle	1	123TA6147	56	Piston, hydraulic pump unit	1	128TA4717
19A	Wheel assembly, steer (nylon)	2	107TA6605	57	O-ring	1	128TA4718
19B	Wheel assembly, steer (poly)	2	107TA6606	58	Lip seal	1	128TA4705
19C	Wheel assembly, steer (rubber)	2	107TA6601	59	O-ring	1	128TA4719
20	Cap, front wheel hub	2	122TA7004	60	Backup ring	1	128TA4720
21	Ball bearing	4	124TA2111	61	Spring	1	128TA4707
22	Shaft, steer wheel	1	128TA4689	62	Washer	1	128TA4708
23	Circlip	2	107TA6600		Kit seal, hydraulic unit	1	128TA4721
24	Kit seal, hydraulic unit	1	128TA4712				
25	Circlip	1	107TA6580				
26	Oil seal	1	128TA4713				
27	Circlip	1	128TA4714				
28	Head, cylinder	1	128TA4715				
29	Sleeve	1	128TA4691				
30	Piston, lift cylinder pallet truck	1	128TA4692				
31	Circlip	1	128TA4693				
32	Oil seal	1	107TA6632				
33	Elastic pin	1	107TA6655				
34	Lip seal	1	128TA4694				
35	Steel ball	1	107TA6641				
36	Sealing ring (copper)	1	128TA4695				
37	Spring	1	107TA6651				
38	Lip seal	1	107TA6652				



MAIN FRAME BT LHM230 QUICK





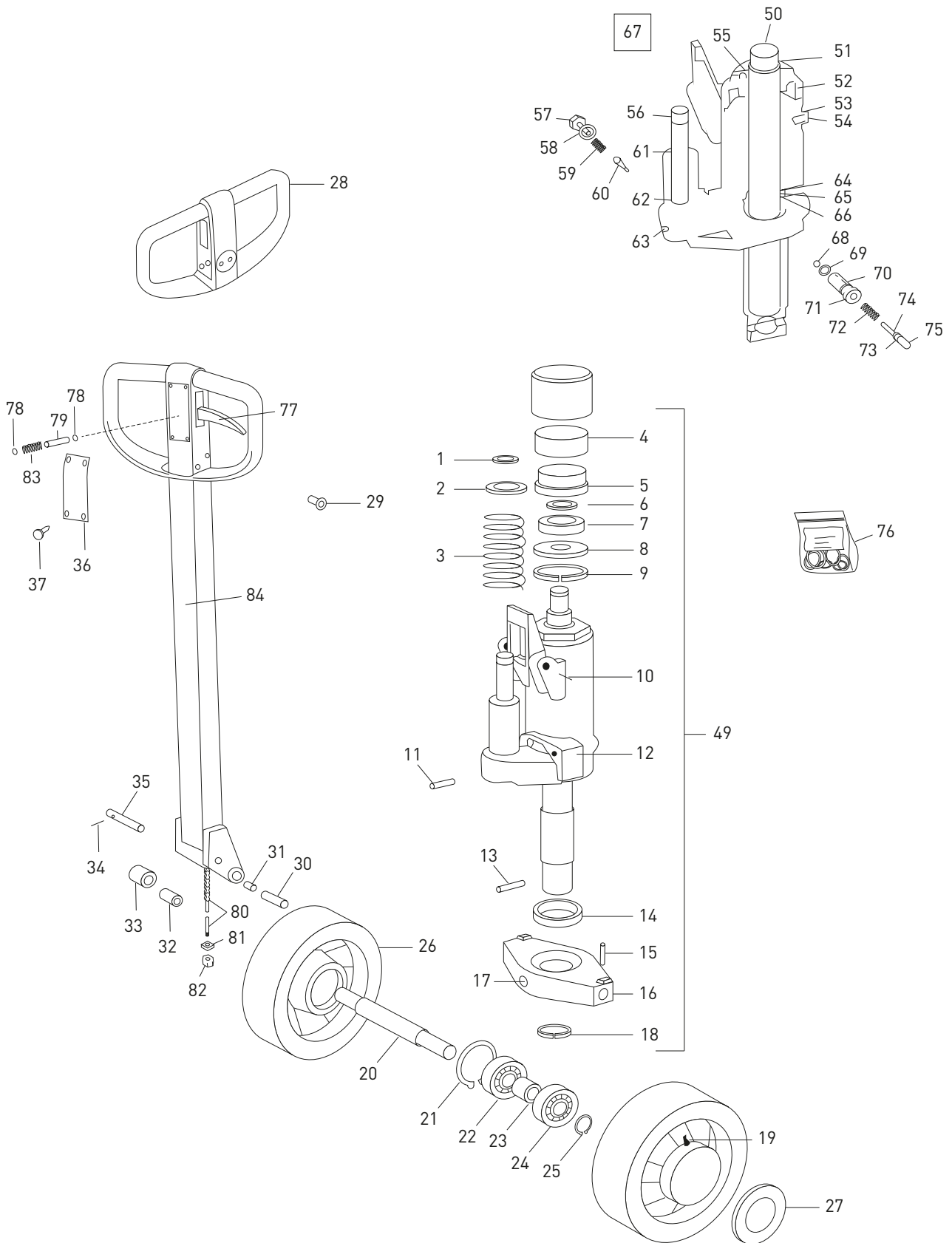
MAIN FRAME BT LHM230 QUICK

Nr	Description	Qty	REF
2	Elastic pin	1	107TA6592
3	Elastic pin	4	107TA6655
4	Ear	2	107TA6688
5	Support	2	107TA6658
6	Shaft/bolt, entry roller	2	107TA6659
7	Spacer, entry roller	2	107TA6660
8	Wheel, entry roller	2	107TA2891
9	Hexagonal nut	2	107TA6661
10	Shaft pivot, torsion tube	1	107TA6662
11	Bushing, torsion tube to thrust plate	2	105TA1924
12	Bushing, torsion tube pivot	2	105TA2177
13	Grease nipple	2	107TA6594
14	Torsion tube	1	107TA6663
15A	Wheel assembly, load (nylon) (single)	2	107TA2928
15B	Wheel assembly, load (poly) (single)	2	107TA6667
15C	Wheel assembly, load (vulkolan) (single)	2	107TA6668
15D	Wheel assembly, load (steel) (single)	2	107TA6666
16	Elastic pin	2	107TA6592
17	Shaft, torsion tube to thrust plate	2	123TA6148
18	Shim (thickness: 4,2 mm)	2	107TA6670
19	Bushing, push/pull rod non fork end	4	107TA6671
20	Grease nipple	8	107TA6594
21	Push/pull rod assembly, lift structure	2	105TA4604
22	Bushing, push/pull rod fork end	4	105TA2174
23	Bushing, load wheel tandem pivot	2	106TA7393
24	Elastic pin	6	107TA6592
25	Ball bearing	4	107TA6675
26	Ear	2	107TA6688
27	Shaft/bolt load wheel	2	107TA6677
28	Axle, exit roller	2	107TA6679
29	Bushing, fork load wheel bracket to chassis	4	105TA2175
30	Shaft, push/pull rod fork end	2	107TA6681
31A	Wheel assembly, load (nylon) (tandem)	4	107TA2936
31B	Wheel assembly, load (urethane) (tandem)	4	107TA2788

Nr	Description	Qty	REF
31C	Wheel assembly, load (steel) (tandem)	4	123TA6149
31D	Wheel assembly, load (poly) (tandem)	4	107TA6683
32	Fork, load wheel	2	107TA6684
33	Wheel, exit roller	2	106TA7045
34	Shaft/bolt load wheel	4	106TA7044



HYDRAULIC UNIT BT LIFTER L23 (2400000-3120999)





HYDRAULIC UNIT BT LIFTER L23 (2400000-3120999)

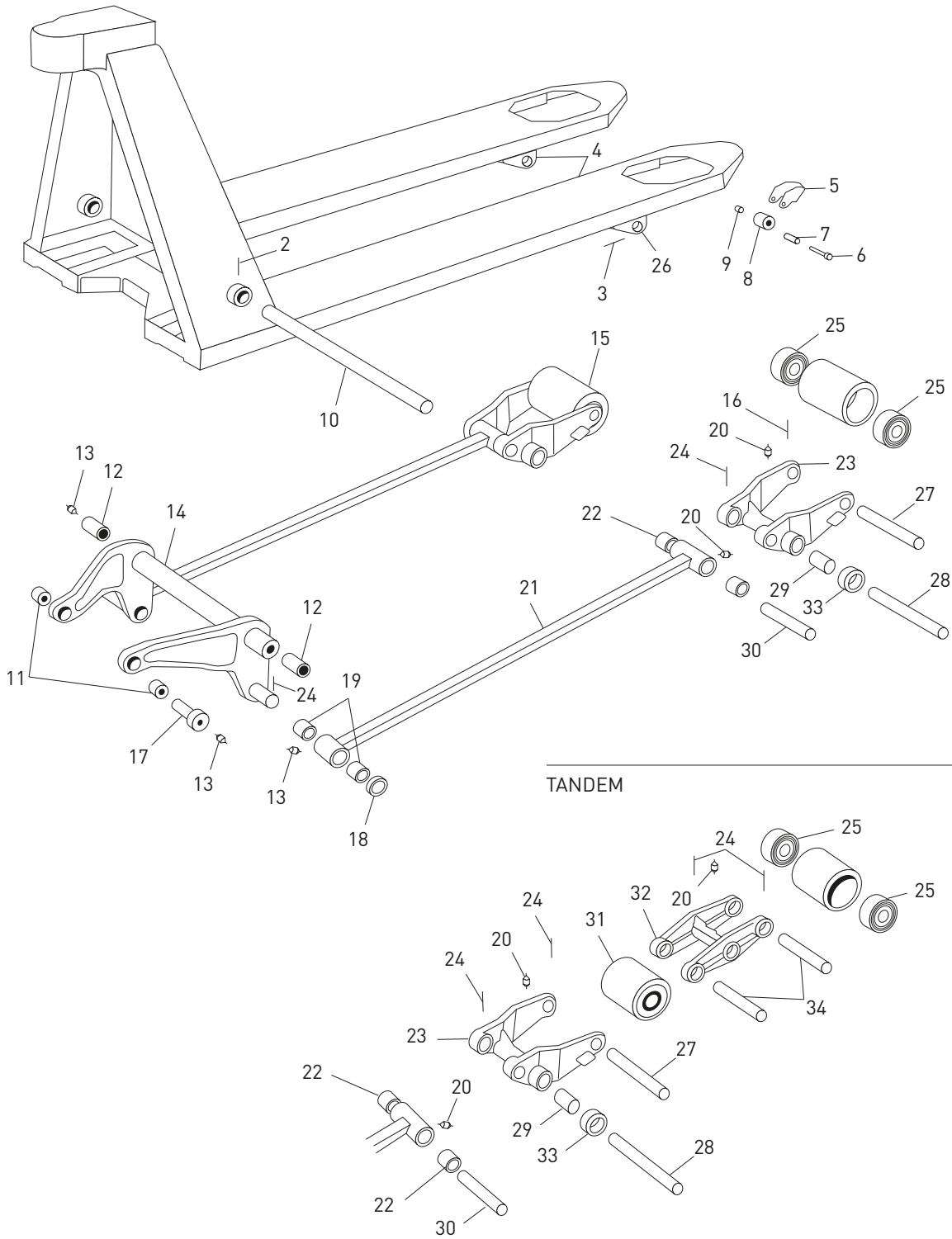
Nr	Description	Qty	REF
1	Circlip	1	107TA6580
2	Cap, control handle pivot return spring	1	107TA6581
3	Spring, control handle return torsion	1	105TA4608
4	Insert	1	107TA6582
5	Housing, bearing	1	107TA6583
6	Circlip	1	107TA6584
7	Ball bearing	1	107TA6585
8	Washer (nylon) (thickness: 3 mm)	1	107TA6586
9	Circlip	1	107TA6587
10	Elastic pin	2	107TA6588
11	Cotter pin	1	107TA6589
12	Lever lift control	1	107TA6590
13	Cotter pin	1	107TA6591
14	Spacer, pivot bearing hydraulic pump unit to chassis	1	106TA6779
15	Elastic pin	2	107TA6592
16	Thrust plate, hydraulic pump unit mounting	1	106TA6781
17	Grease nipple	1	107TA6593
18	Circlip	1	107TA6595
19	Grease nipple	1	107TA6594
20	Shaft, steer wheel	1	107TA6596
21	Circlip	2	107TA6597
22	Ball bearing	2	147TA3710
23	Bushing (without collar)	2	123TA6139
24	Ball bearing	2	147TA3710
25	Circlip	2	107TA6600
26A	Wheel assembly, steer (rubber)	2	107TA6601
26B	Wheel assembly, steer (polyurethane) (nylon rim)	2	107TA6606
26C	Wheel assembly, steer (nylon)	2	107TA6605
26D	Wheel assembly, steer (steel)	2	123TA6140
27	Cap, front wheel hub	2	122TA7004
28	Lowering lever	1	123TA6141
29	Rivet	4	123TA6142
30	Shaft, handle pivot	1	107TA6618
31	Bushing, handle pivot	2	123TA6143
32	Bushing, control handle pump roller	1	107TA6625
33	Roller, control handle pump	1	107TA6621
34	Elastic pin	1	107TA6620

Nr	Description	Qty	REF
35	Pin, control handle pump roller	1	107TA6619
36	Cover, tiller head	1	123TA6145
37	Screw	4	123TA6146
49	Hydraulic unit	1	107TA6626
50	Piston, lift cylinder pallet truck	1	107TA6627
51	Body, hydraulic pump unit piston	1	107TA6628
52	O-ring	1	107TA6629
53	Washer (synthetic) (thickness: 4 mm)	1	107TA6630
54	Screw	1	107TA6631
55	Oil seal	1	107TA6632
56	Piston, hydraulic pump unit	1	107TA6634
57	Screw	1	107TA6635
58	Washer (copper) (thickness: 2,5 mm)	1	105TA1188
59	Spring	1	107TA6636
60	Plunger valve	1	107TA6637
61	Oil seal	1	107TA6638
62	Lip seal	1	107TA6640
63	Steel ball	1	107TA6641
64	Circlip	1	107TA6642
65	Turning (bronze)	1	107TA6643
66	Lip seal	1	107TA6644
67A	Kit seal, hydraulic pump unit piston (pump cylinder)	1	107TA6645
67B	Kit seal, lift cylinder (lift cylinder)	1	107TA6647
67C	Seal kit (valve unit)	1	107TA6648
68	Steel ball	1	107TA6641
69	Washer (copper) (thickness: 1,4 mm)	1	105TA1358
70	O-ring	1	107TA6649
71	Valve housing	1	107TA6650
72	Spring	1	107TA6651
73	Lip seal	1	107TA6652
74	Guide, spring	1	107TA6653
75	Plunger, valve	1	106TA7043
76	Kit repair, hydraulic unit	1	107TA6576
77	Lever lowering, tiller	1	123TA6147
78	Steel ball	2	107TA6613
79	Bushing	1	107TA6615
80	Rod complete, lowering	1	107TA6622
81	Spring	1	107TA6623
82	Hexagonal nut	1	107TA6624
83	Spring	1	107TA6614
84	Handle assembly	1	123TA6150

LIFTER L23 (2400000-3120999)



MAIN FRAME BT LIFTER L23 (2400000-3120999)



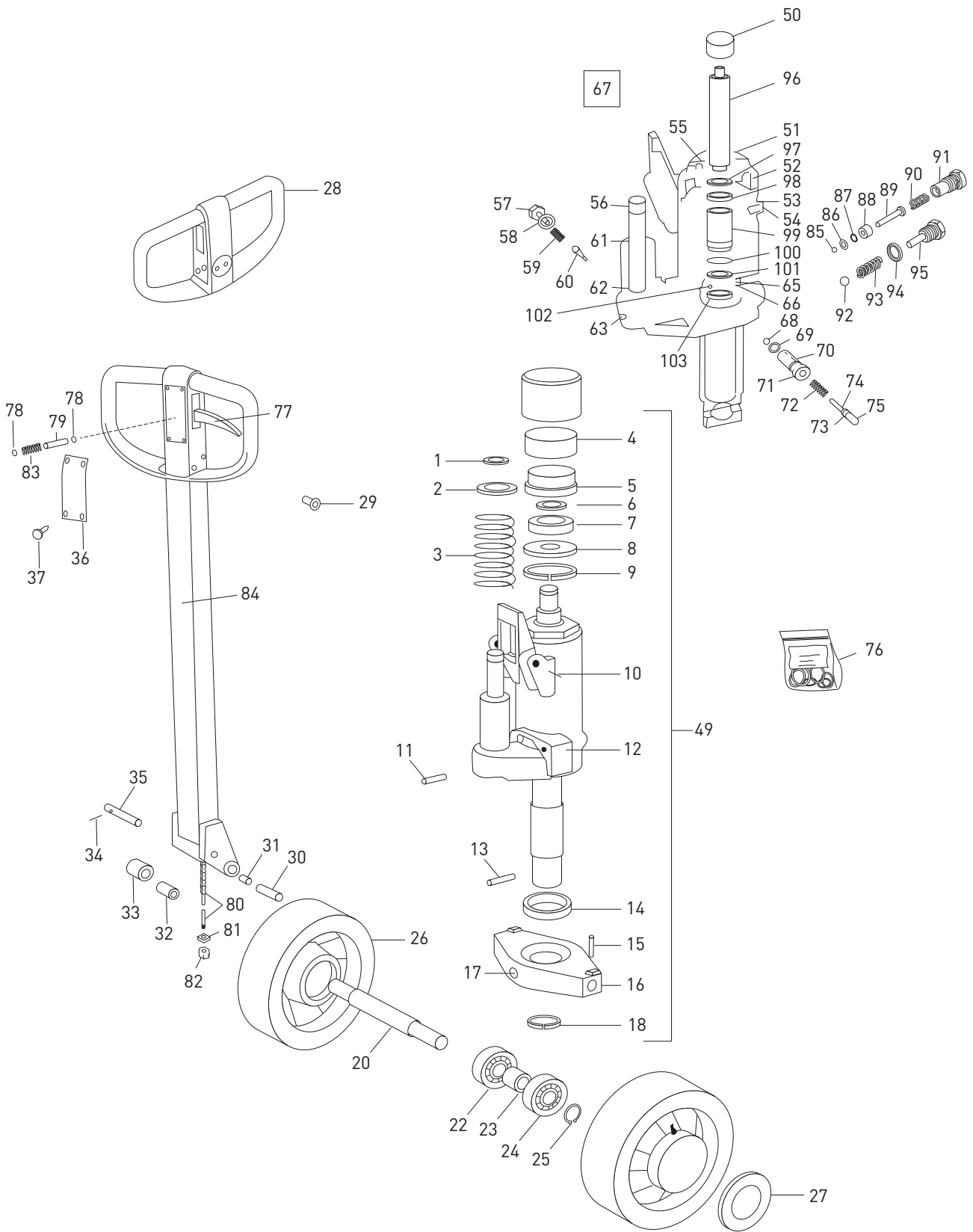


MAIN FRAME BT LIFTER L23 (2400000-3120999)

Nr	Description	Qty	REF	Nr	Description	Qty	REF
2	Elastic pin	1	107TA6592	31	Wheel assembly, load (polyurethane) (nylon rim) (tandem)	4	107TA6683
3	Elastic pin	4	107TA6655	31	Wheel assembly, load (nylon) (tandem)	4	107TA2936
4	Ear	2	107TA6688	31	Wheel assembly, load (steel) (tandem)	4	123TA6149
5	Bracket, entry roller	2	107TA6658	32	Fork, load wheel	2	107TA6684
6	Shaft/bolt, entry roller	2	107TA6659	33	Wheel, exit roller	2	106TA7045
7	Spacer, entry roller	2	107TA6660	34	Shaft/bolt load wheel	4	106TA7044
8	Wheel, entry roller	2	107TA2891	35	Carrier complete, load wheel (nylon) (tandem)	2	108TA3941
9	Hexagonal nut	2	107TA6661				
10	Shaft pivot, torsion tube	1	107TA6662				
11	Bushing, torsion tube to thrust plate	2	105TA1924				
12	Bushing, torsion tube pivot	2	105TA2177				
13	Grease nipple	2	107TA6594				
14	Torsion tube	1	107TA6663				
15	Wheel assembly, load (Vulkollan®) (single)	2	107TA6668				
15	Wheel assembly, load (steel) (single)	2	107TA6666				
15	Wheel assembly, load (polyurethane) (nylon rim) (single)	2	107TA6667				
15	Wheel assembly, load (nylon) (single)	2	107TA2928				
16	Elastic pin	2	107TA6592				
17	Shaft, torsion tube to thrust plate	2	123TA6148				
18	Washer (thickness: 4,2 mm)	2	107TA6670				
19	Bushing, push/pull rod non fork end	4	107TA6671				
20	Grease nipple	8	107TA6594				
21	Push/pull rod, lift structure (fork length: 1150 mm)	2	105TA4604				
22	Bushing, push/pull rod fork end	4	105TA2174				
23	Fork, bracket load wheel	2	106TA7393				
24	Elastic pin	6	107TA6592				
25	Bearing	4	107TA6675				
26	Ear	2	107TA6688				
27	Shaft/bolt load wheel	2	107TA6677				
28	Shaft, fork load wheel bracket to chassis	2	107TA6679				
29	Bushing, fork load wheel bracket to chassis	4	105TA2175				
30	Shaft, push/pull rod fork end (diameter: 18 mm) (length: 84,5 mm)	2	107TA6681				
31	Wheel assembly, load (Vulkollan®) (tandem)	4	107TA2788				



HYDRAULIC UNIT BT LIFTER L23 QUICK (2400000-3120999)





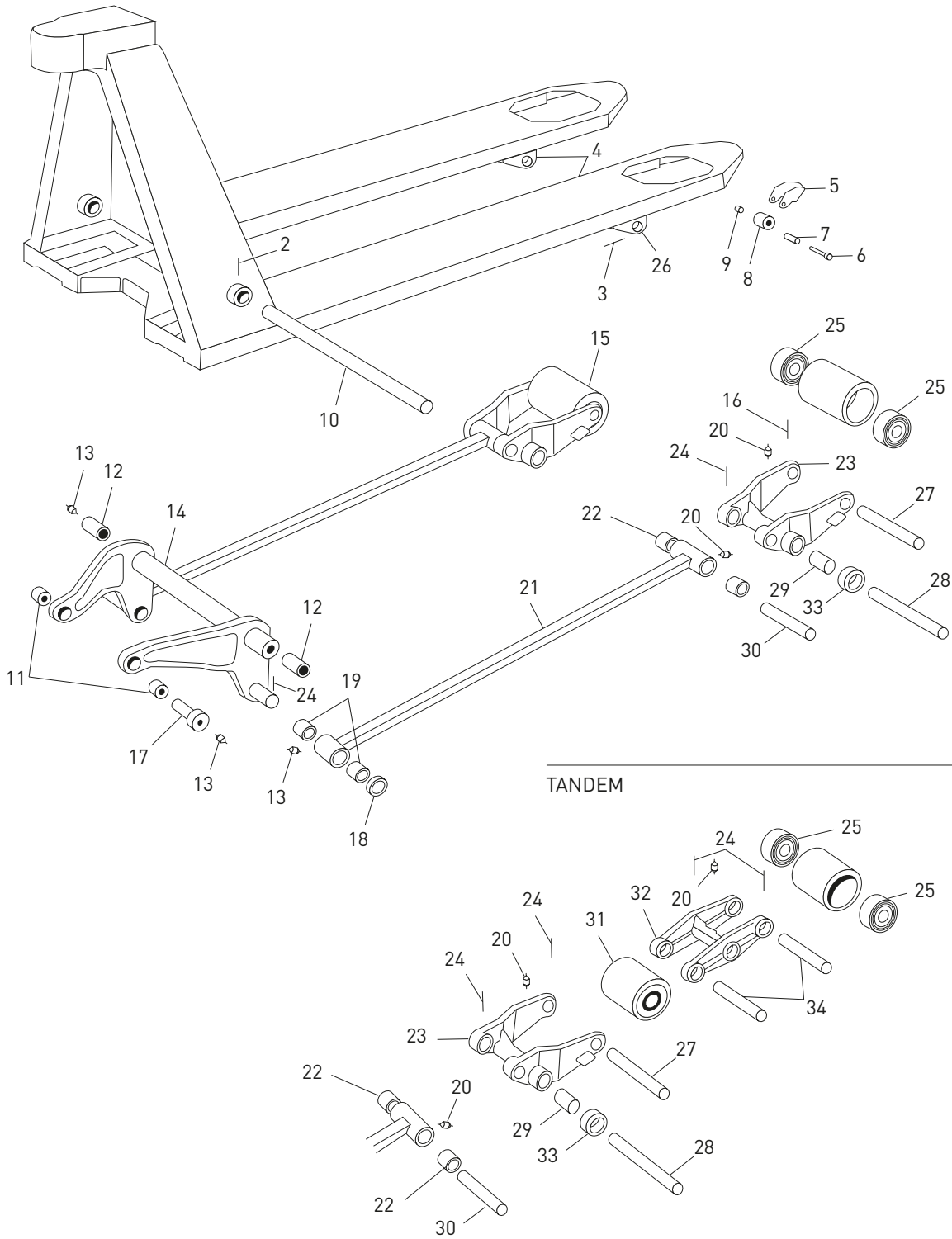
HYDRAULIC UNIT BT LIFTER L23 QUICK (2400000-3120999)

Nr	Description	Qty	REF
1	Circlip	1	107TA6580
2	Cap, control handle pivot return spring	1	107TA6581
3	Spring, control handle return torsion	1	105TA4608
4	Insert	1	107TA6582
5	Housing, bearing	1	124TA2108
6	Circlip	1	107TA6584
7	Ball bearing	1	107TA6585
8	Washer (nylon) (thickness: 3 mm)	1	107TA6586
9	Circlip	1	107TA6587
10	Elastic pin	2	107TA6588
11	Cotter pin	1	124TA2109
12	Lever lift control	1	107TA6590
13	Cotter pin	1	124TA2109
14	Bearing, hydraulic unit pivot	1	106TA6779
15	Elastic pin	2	107TA6592
16	Thrust plate, hydraulic pump unit mounting	1	106TA6781
17	Grease nipple	1	107TA6594
18	Circlip	1	107TA6595
20	Shaft, steer wheel	1	107TA6596
22	Ball bearing	1	124TA2111
23	Bushing (without collar)	2	123TA6139
24	Ball bearing	1	124TA2111
25	Circlip	2	107TA6600
26	Wheel assembly, steer (Vulkollan®)	2	107TA3102
26	Wheel assembly, steer (rubber)	2	107TA6601
26	Wheel assembly, steer (nylon)	2	107TA6605
26	Wheel assembly, steer (polyurethane) (nylon rim)	2	107TA6606
27	Cap, front wheel hub	2	122TA7004
28	Lowering lever	1	123TA6141
29	Rivet	4	123TA6142
30	Shaft, handle pivot	2	107TA6618
31	Bushing, handle pivot	2	123TA6143
32	Spacer, entry roller	1	107TA6625
33	Roller, control handle pump	1	124TA7264
34	Elastic pin	1	107TA6620
35	Pin, control handle pump roller	1	107TA6619
36	Cover, tiller head	1	123TA6145
37	Screw	4	123TA6146
49	Hydraulic unit	1	124TA2113
50	Piston, lift cylinder pallet truck	1	124TA1644
51	Oil seal	1	107TA6632

Nr	Description	Qty	REF
52	Body, hydraulic pump unit piston	1	124TA1646
53	Washer (synthetic) (thickness: 4 mm)	1	124TA2114
54	Screw	1	107TA6631
55	O-ring	1	107TA6629
56	Piston, hydraulic pump unit	1	107TA6634
57	Screw	1	107TA6635
58	Washer (copper) (thickness: 2,5 mm)	1	105TA1188
59	Spring	1	107TA6636
60	Plunger valve	1	107TA6637
61	Oil seal	1	107TA6638
62	Lip seal	1	107TA6640
63	Steel ball	1	107TA6641
65	Washer (thickness: 1 mm)	1	124TA1650
66	Turning (brass)	1	124TA1652
67	Kit seal, lift cylinder (lift cylinder)	1	124TA1654
67	Seal kit (valve unit)	1	124TA1656
68	Steel ball	1	107TA6641
69	Washer (copper) (thickness: 1,4 mm)	1	105TA1358
70	O-ring	1	107TA6649
71	Valve housing	1	124TA2115
72	Spring	1	107TA6651
73	Lip seal	1	107TA6652
74	Guide, spring	1	107TA6653
75	Plunger, valve	1	106TA7043
76	Kit seal, lift cylinder (lift cylinder)	1	124TA1654
77	Lever lowering, tiller	1	123TA6147
78	Steel ball	2	107TA6613
79	Bushing	1	107TA6615
80	Rod complete, lowering	1	107TA6622
81	Spring	1	107TA6623
82	Hexagonal nut	1	107TA6624
83	Spring	1	107TA6614
84	Handle assembly	1	123TA6150
85	Ball bearing	1	124TA1658
86	Washer (thickness: 1,5 mm)	1	124TA1660
87	O-ring	1	124TA1662
88	Bushing	1	124TA1664
89	Plunger, valve	2	124TA1670
90	Spring	1	124TA1666
91	Screw	1	124TA1668
92	Steel ball	1	107TA6641
93	Spring	1	107TA6636
94	Washer (copper) (thickness: 2,5 mm)	1	105TA1188
95	Screw	1	124TA1672



MAIN FRAME BT LIFTER L23 QUICK (2400000-3120999)



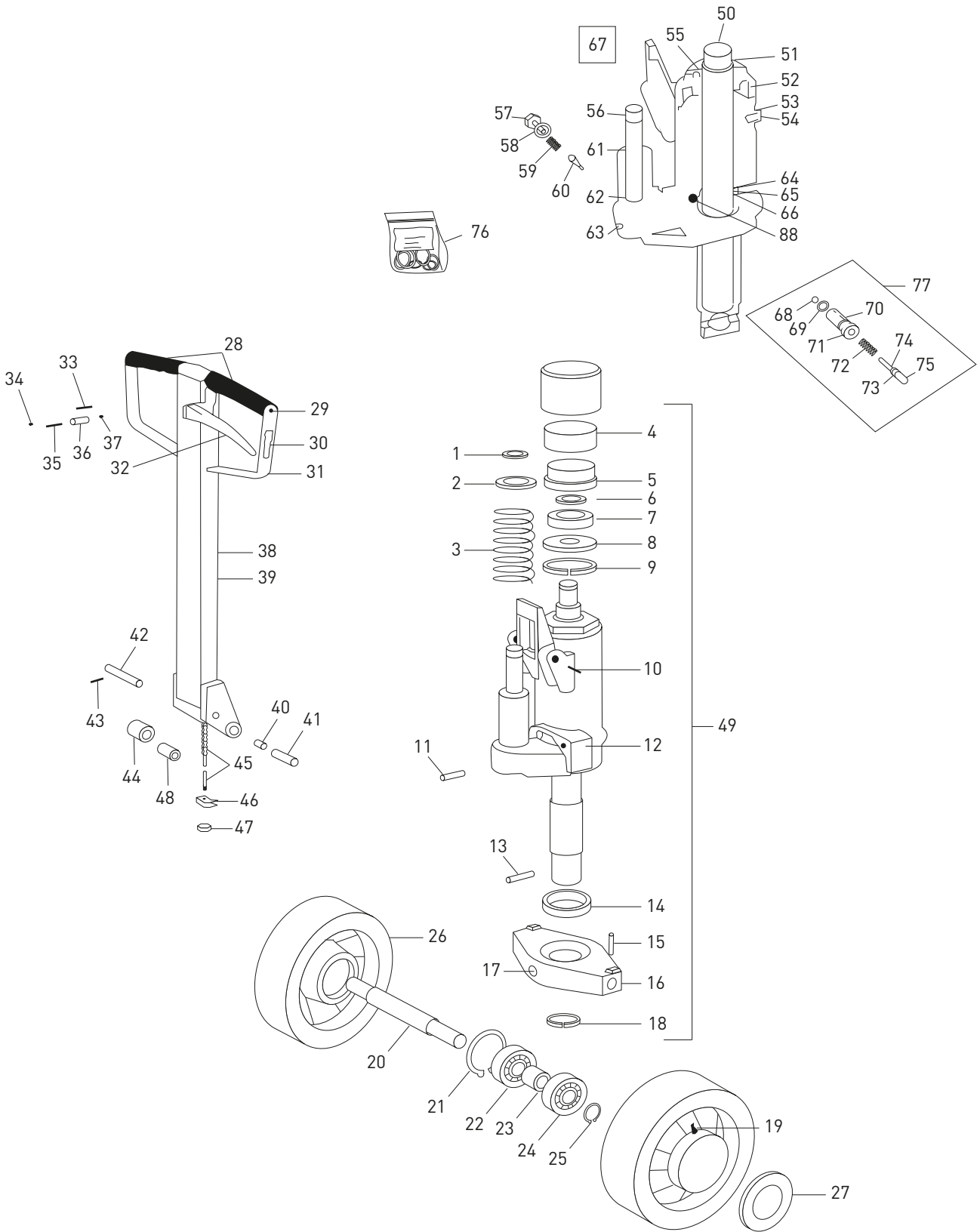


MAIN FRAME BT LIFTER L23 QUICK (2400000-3120999)

Nr	Description	Qty	REF	Nr	Description	Qty	REF
2	Elastic pin	1	<u>107TA6592</u>	31B	Wheel assembly, load (Vulkollan®) (tandem)	4	<u>107TA2788</u>
3	Elastic pin	4	<u>107TA6655</u>	31C	Wheel assembly, load (steel) (tandem)	4	<u>123TA6149</u>
4	Ear	2	<u>107TA6688</u>	31D	Wheel assembly, load (polyurethane) (nylon rim) (tandem)	4	<u>107TA6683</u>
5	Bracket, entry roller	2	<u>107TA6658</u>	32	Fork, load wheel	2	<u>107TA6684</u>
6	Shaft/bolt, entry roller	2	<u>107TA6659</u>	33	Wheel, exit roller	2	<u>106TA7045</u>
7	Spacer, entry roller	2	<u>107TA6660</u>	34	Shaft/bolt load wheel	4	<u>106TA7044</u>
8	Wheel, entry roller	2	<u>107TA2891</u>	35	Carrier complete, load wheel	2	<u>108TA3941</u>
9	Hexagonal nut	2	<u>107TA6661</u>				
10	Shaft pivot, torsion tube	1	<u>107TA6662</u>				
11	Bushing, torsion tube to thrust plate	2	<u>105TA1924</u>				
12	Bushing, torsion tube pivot	2	<u>105TA2177</u>				
13	Grease nipple	2	<u>107TA6594</u>				
14	Torsion tube	1	<u>107TA6663</u>				
15A	Wheel assembly, load (nylon) (single)	2	<u>107TA2928</u>				
15B	Wheel assembly, load (polyurethane) (nylon rim) (single)	2	<u>107TA6667</u>				
15C	Wheel assembly, load (Vulkollan®) (single)	2	<u>107TA6668</u>				
15D	Wheel assembly, load (steel) (single)	2	<u>107TA6666</u>				
16	Elastic pin	2	<u>107TA6592</u>				
17	Shaft, torsion tube to thrust plate	2	<u>123TA6148</u>				
18	Washer (thickness: 4,2 mm)	2	<u>107TA6670</u>				
19	Bushing, push/pull rod non fork end	4	<u>107TA6671</u>				
20	Grease nipple	8	<u>107TA6594</u>				
21	Push/pull rod, lift structure (fork length: 1150 mm)	2	<u>105TA4604</u>				
22	Bushing, push/pull rod fork end	4	<u>105TA2174</u>				
23	Fork, bracket load wheel	2	<u>106TA7393</u>				
24	Elastic pin	6	<u>107TA6592</u>				
25	Bearing	4	<u>107TA6675</u>				
26	Ear	2	<u>107TA6688</u>				
27	Shaft/bolt load wheel	2	<u>107TA6677</u>				
28	Shaft, fork load wheel bracket to chassis	1	<u>107TA6679</u>				
28	Axle, exit roller	1	<u>107TA6679</u>				
29	Bushing, fork load wheel bracket to chassis	4	<u>105TA2175</u>				
30	Shaft, push/pull rod fork end (diameter: 18 mm) (length: 84,5 mm)	2	<u>107TA6681</u>				
31A	Wheel assembly, load (nylon) (tandem)	4	<u>107TA2936</u>				



HYDRAULIC UNIT BT LIFTER L2000 7/9/10/11 (-2399999)



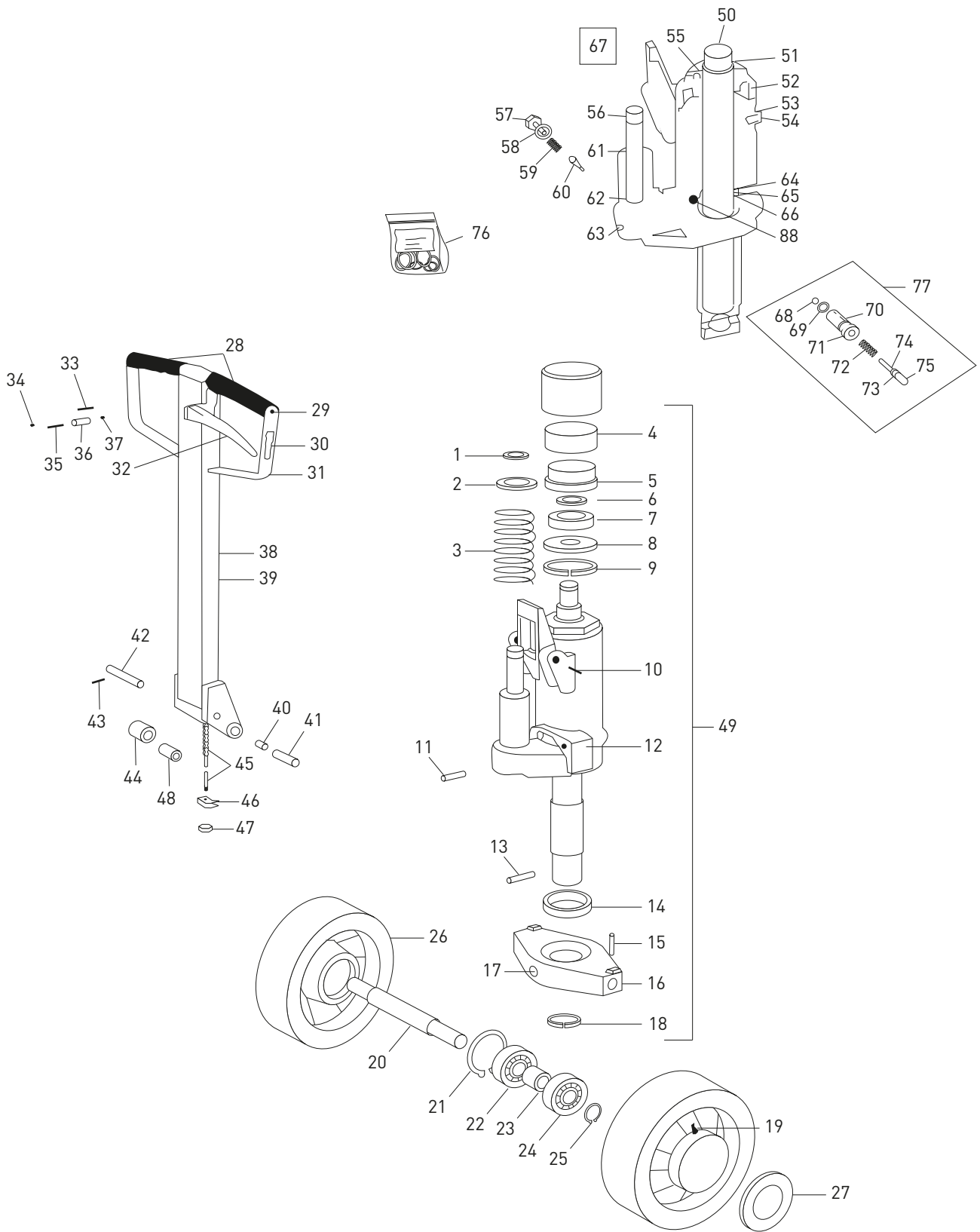


HYDRAULIC UNIT BT LIFTER L2000 7/9/10/11 (-2399999)

Nr	Description	Qty	REF	Nr	Description	Qty	REF
1	Circlip	1	107TA6580	26F	Wheel assembly, load (nylon) (without bearings)	2	107TA6604
2	Washer (steel) (thickness: 6 mm)	1	107TA6581	26G	Wheel assembly, steer (nylon) (only for L2000/11) (2586500-)	2	107TA6605
3	Spring, control handle return torsion	1	105TA4608	27	Cap, front wheel hub	2	122TA7004
4	Insert	1	107TA6582	28	Handle	2	107TA6607
5	Housing, bearing	1	107TA6583	29A	Screw (M6) (total length: 16 mm) (L2000/7)	2	107TA6608
6	Circlip	1	107TA6584	29B	Screw (6,3 x 25 mm) (from L2000/8)	2	107TA6609
7	Ball bearing	1	107TA6585	30	Adhesive	1	107TA6610
8	Washer (nylon) (thickness: 3 mm)	1	107TA6586	31	Clamp	2	107TA6611
9	Circlip	1	107TA6587	32	Lever lowering, tiller	1	106TA6780
10	Elastic pin	2	107TA6588	33	Elastic pin	1	107TA6612
11	Cotter pin	1	107TA6589	34	Steel ball	2	107TA6613
12	Lever lift control	1	107TA6590	35	Spring	1	107TA6614
13	Cotter pin	1	107TA6591	36	Bushing	1	107TA6615
14	Spacer, pivot bearing hydraulic pump unit to chassis	1	106TA6779	37	Steel ball	2	107TA6613
15	Elastic pin	2	107TA6592	38	Handle assembly	1	106TA6777
16	Thrust plate, hydraulic pump unit mounting	1	106TA6781	39	Bracket, tiller arm	1	107TA6616
17	Grease nipple (L2000/8)	1	107TA6594	40	Bushing, handle pivot	2	107TA6617
17	Grease nipple (to L2000/7)	1	107TA6593	41	Shaft, handle pivot	2	107TA6618
18	Circlip	1	107TA6595	42	Pin, control handle pump roller	1	107TA6619
19	Grease nipple	1	107TA6594	43	Elastic pin	1	107TA6620
20	Shaft, steer wheel	1	107TA6596	44	Roller, control handle pump	1	107TA6621
21	Circlip	2	107TA6597	45	Rod complete, lowering	1	107TA6622
22	Ball bearing	2	107TA6598	46	Spring	1	107TA6623
23	Bushing (without collar)	2	105TA1681	47	Hexagonal nut	1	107TA6624
24	Ball bearing	2	107TA6599	48	Bushing, control handle pump roller	1	107TA6625
25	Circlip	2	107TA6600	49	Hydraulic unit	1	107TA6626
26A	Wheel assembly, steer (rubber) (nylon rim) (without bearings)	2	107TA3008	50	Piston, lift cylinder pallet truck	1	107TA6627
26B	Wheel assembly, steer (rubber) (only for L2000/11) (2586500-)	2	107TA6601	51	Body, hydraulic pump unit piston	1	107TA6628
26C	Wheel assembly, load (polyurethane) (nylon rim) (without bearings)	2	107TA6603	52	O-ring	1	107TA6629
26D	Wheel assembly, load (polyurethane) (without bearings)	2	107TA3009	53	Washer (synthetic) (thickness: 4 mm)	1	107TA6630
26E	Wheel assembly, steer (polyurethane) (nylon rim) (only for L2000/11) (2586500-)	2	107TA6606	54	Screw	1	107TA6631
				55	Oil seal	1	107TA6632
				56A	Piston, hydraulic pump unit (L2000/7)	1	107TA6633
				56B	Piston, hydraulic pump unit (L2000/10)	1	107TA6634

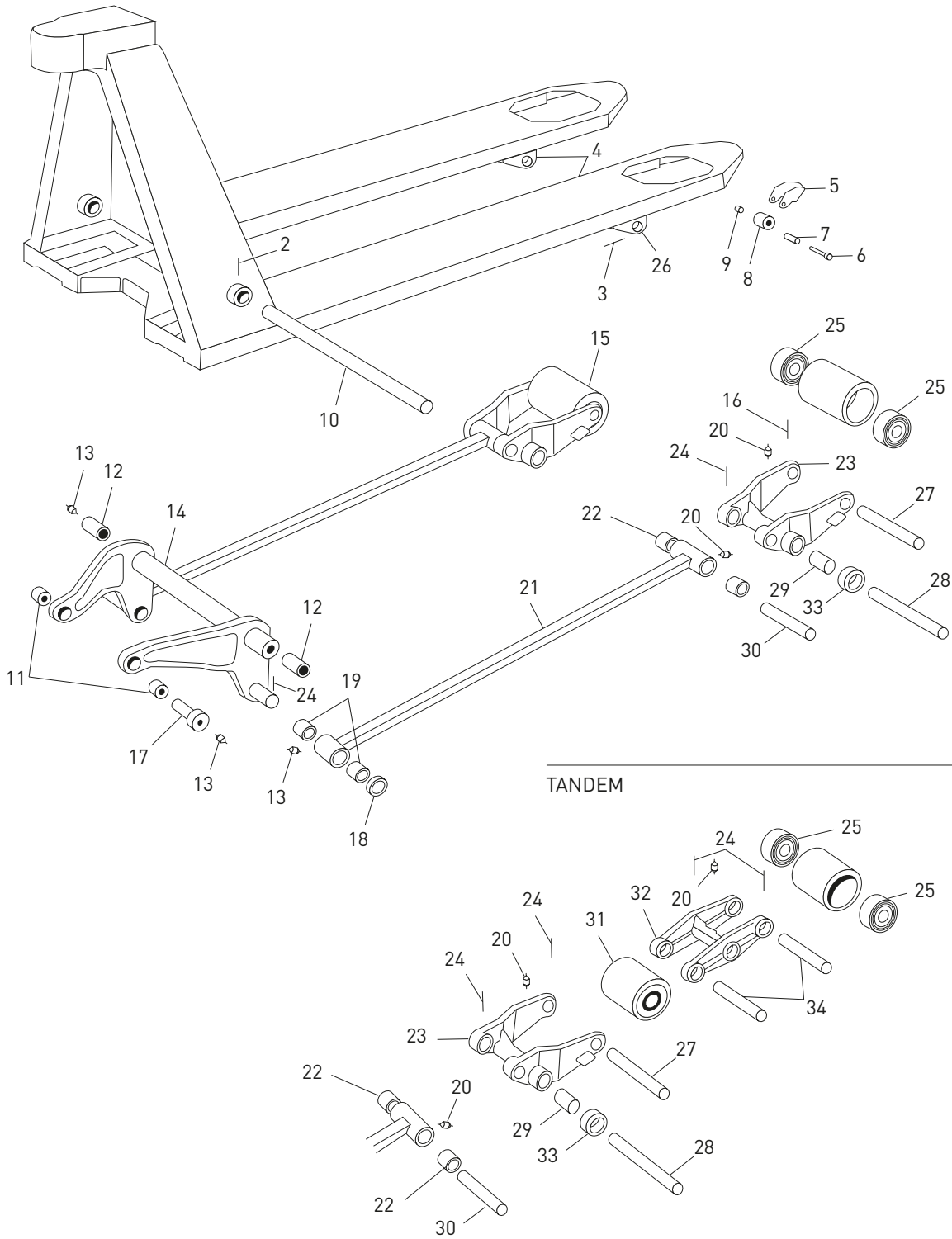


HYDRAULIC UNIT BT LIFTER L2000 7/9/10/11 (-2399999)





MAIN FRAME BT LIFTER L2000 7/9/10/11 (-2399999)





MAIN FRAME BT LIFTER L2000 7/9/10/11 (-2399999)

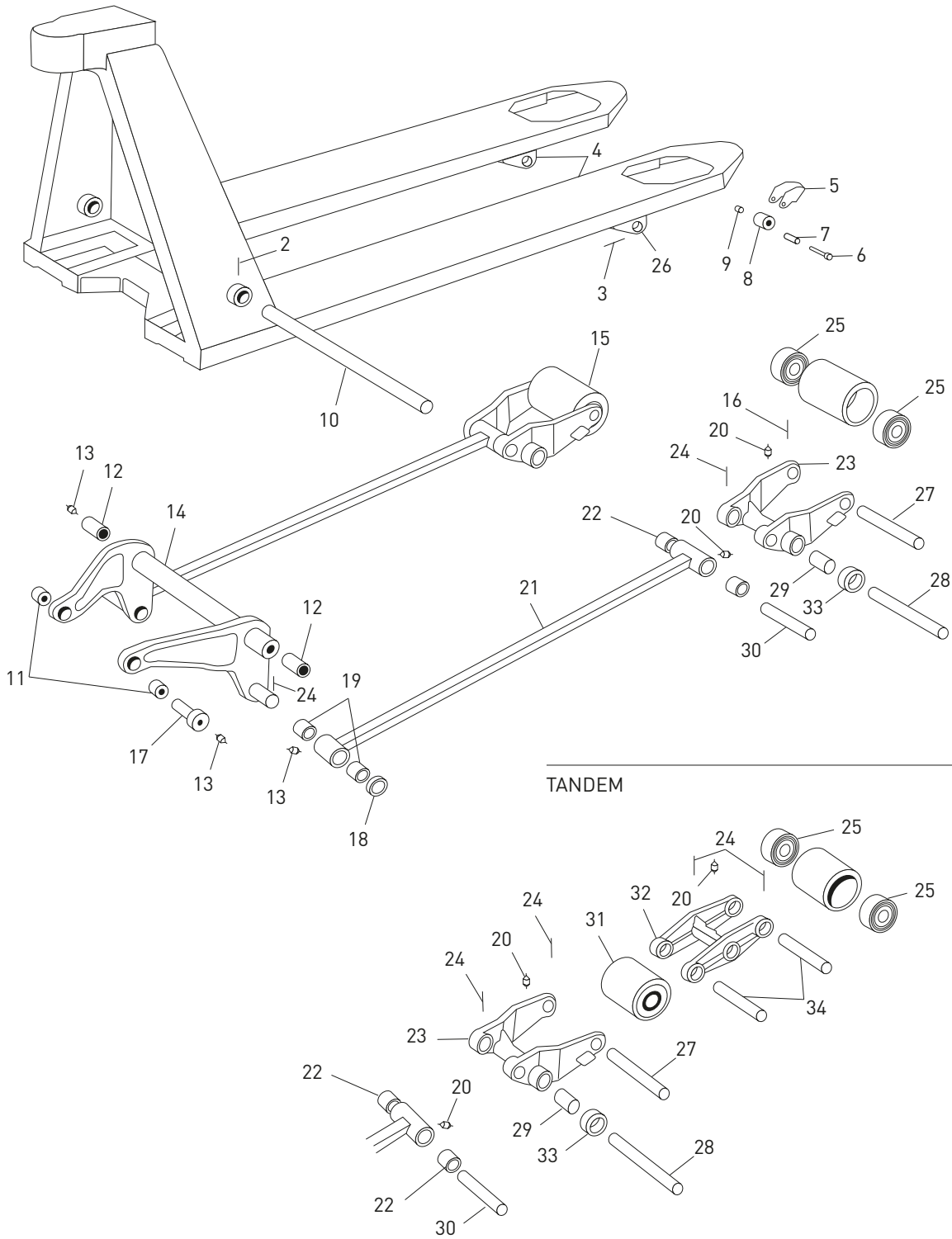
Nr	Description	Qty	REF
2	Elastic pin	1	107TA6592
3A	Elastic pin (L2000/7)	4	107TA6654
3B	Elastic pin (L2000/10)	4	107TA6655
4A	Ear (L2000/7)	2	107TA6656
4B	Ear (L2000/10)	2	107TA6657
5	Bracket, entry roller	2	107TA6658
6	Shaft/bolt, entry roller	2	107TA6659
7	Spacer, entry roller	2	107TA6660
8	Wheel, entry roller	2	107TA2891
9	Hexagonal nut	2	107TA6661
10	Shaft pivot, torsion tube	1	107TA6662
11	Bushing, torsion tube to thrust plate	2	105TA1924
12	Bushing	2	105TA2177
13	Grease nipple	2	107TA6594
14	Torsion tube (frame width: 520 mm)	1	107TA6663
15A	Wheel assembly, load (nylon) (single)	2	107TA6664
15B	Wheel assembly, load (polyurethane) (single)	2	107TA6665
15C	Wheel assembly, load (steel) (single)	2	107TA6666
15D	Wheel assembly, load (nylon) (single) (L2000/11) (2256000-)	2	107TA2928
15E	Wheel assembly, load (polyurethane) (single) (L2000/11) (2256000-)	2	107TA6667
15F	Wheel assembly, load (Vulkollan®) (single) (L2000/11) (2256000-)	2	107TA6668
16	Elastic pin	2	107TA6592
17	Shaft, torsion tube to thrust plate	2	107TA6669
18	Washer (thickness: 4,2 mm)	2	107TA6670
19	Bushing, push/pull rod non fork end	4	107TA6671
20	Grease nipple	8	107TA6594
21A	Push/pull rod, lift structure (fork length: 1000 mm)	2	107TA6672
21B	Push/pull rod, lift structure (fork length: 1070 mm)	2	107TA6673
21C	Push/pull rod, lift structure (fork length: 1150 mm)	2	105TA4604
21D	Push/pull rod, lift structure (fork length: 1220 mm)	2	107TA6674
22	Bushing, push/pull rod fork end	4	105TA2174

Nr	Description	Qty	REF
23A	Fork, bracket load wheel (L2000/7)	2	106TA8088
23B	Fork, bracket load wheel (L2000/10)	2	106TA7393
24	Elastic pin	6	107TA6592
25A	Bearing	4	106TA6778
25B	Bearing (L2000/11) (2256000-)	4	107TA6675
26A	Wheel assembly, load (nylon) (single wheel) (without bearings)	2	105TA4633
26B	Wheel assembly, load (polyurethane) (without bearings) (single)	2	107TA2626
26C	Wheel assembly, load (polyurethane) (nylon rim) (single) (without bearings)	2	107TA6676
26D	Wheel assembly, load (steel) (tandem)	2	107TA6666
26E	Wheel assembly, load (steel) (single) (without bearings)	2	107TA2968
27	Shaft/bolt load wheel	2	107TA6677
28A	Shaft, fork load wheel bracket to chassis (L2000/7)	2	107TA6678
28B	Shaft/bolt load wheel (L2000/10)	2	107TA6679
29	Bushing, fork load wheel bracket to chassis	4	105TA2175
30A	Shaft, push/pull rod fork end (length: 110 mm)	2	107TA6680
30B	Shaft, push/pull rod fork end (length: 84,5 mm) (L2000/10)	2	107TA6681
31A	Wheel assembly, load (nylon) (tandem)	4	107TA2936
31B	Wheel assembly, load (polyurethane) (nylon rim) (tandem)	4	107TA6682
31C	Wheel assembly, load (steel) (tandem)	4	107TA2957
31D	Wheel assembly, load (nylon) (tandem) (L2000/11) (2256000-)	4	107TA2935
31E	Wheel assembly, load (polyurethane) (nylon rim) (tandem) (L2000/11) (2256000-)	4	107TA6683
31F	Wheel assembly, load (Vulkollan®) (tandem) (L2000/11) (2256000-)	4	107TA2788
32	Fork, load wheel	2	107TA6684
33	Wheel assembly, load (steel) (tandem) (without bearings)	4	107TA6687

LIFTER L2000 7/9/10/11 (-2399999)

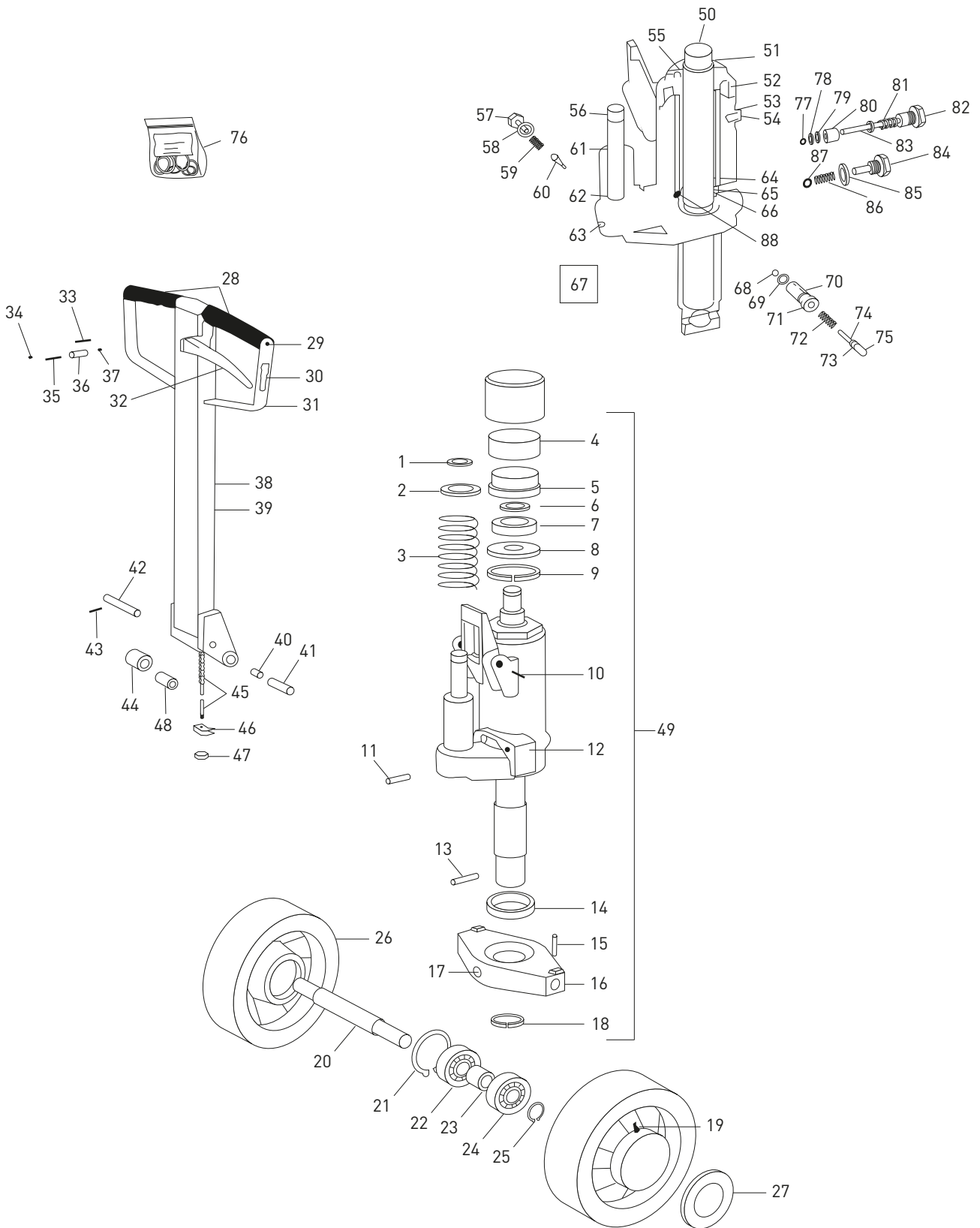


MAIN FRAME BT LIFTER L2000 7/9/10/11 (-2399999)





HYDRAULIC UNIT BT LIFTER L2000 QUICK 10/11 (-2399999)





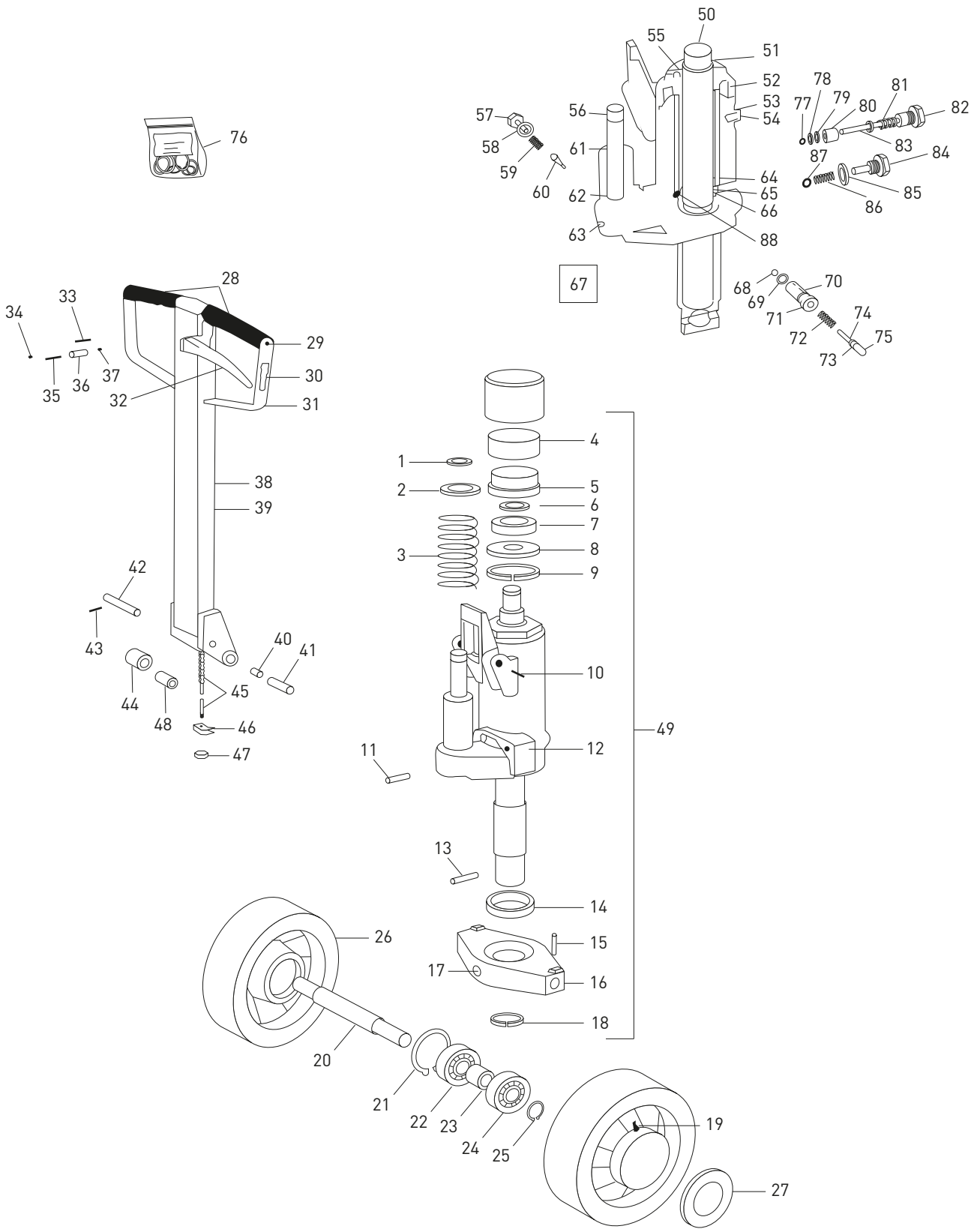
HYDRAULIC UNIT BT LIFTER L2000 QUICK 10/11 (-2399999)

Nr	Description	Qty	REF
1	Circlip	1	107TA6580
2	Washer (steel) (thickness: 6 mm)	1	107TA6581
3	Spring, control handle return torsion	1	105TA4608
4	Insert	1	107TA6582
5	Housing, bearing	1	107TA6583
6	Circlip	1	107TA6584
7	Ball bearing	1	107TA6585
8	Washer (nylon) (thickness: 3 mm)	1	107TA6586
9	Circlip	1	107TA6587
10	Elastic pin	2	107TA6588
11	Cotter pin	1	107TA6589
12	Lever lift control	1	107TA6590
13	Cotter pin	1	107TA6591
14	Spacer, pivot bearing hydraulic pump unit to chassis	1	106TA6779
15	Elastic pin	2	107TA6592
16	Thrust plate, hydraulic pump unit mounting	1	106TA6781
17	Grease nipple	1	107TA6594
18	Circlip	1	107TA6595
19	Grease nipple	2	107TA6594
20	Shaft, steer wheel	1	107TA6596
21	Circlip	2	107TA6597
22	Ball bearing	2	107TA6598
23	Bushing (without collar)	2	105TA1681
24	Ball bearing	2	107TA6599
25	Circlip	2	107TA6600
26A	Wheel assembly, steer (rubber) (nylon rim) (without bearings)	2	107TA3008
26B	Wheel assembly, steer (rubber) (L2000/11) (2256000-)	2	107TA6601
26C	Wheel assembly, load (polyurethane) (nylon rim) (without bearings)	2	107TA6603
26D	Wheel assembly, load (polyurethane) (without bearings)	2	107TA3009
26E	Wheel assembly, steer (polyurethane) (L2000/11) (2256000-)	2	107TA6606
26F	Wheel assembly, load (nylon) (without bearings)	2	107TA6604

Nr	Description	Qty	REF
26G	Wheel assembly, steer (nylon) (L2000/11) (2256000-)	2	107TA6605
27	Cap, front wheel hub	2	122TA7004
28	Handle	2	107TA6607
29	Screw	2	107TA6609
30	Adhesive	1	107TA6610
31	Clamp	2	107TA6611
32	Lever lowering, tiller	1	106TA6780
33	Elastic pin	1	107TA6612
34	Steel ball	2	107TA6613
35	Spring	1	107TA6614
36	Bushing	1	107TA6615
37	Steel ball	2	107TA6613
38	Handle assembly	1	106TA6777
39	Bracket, tiller arm	1	107TA6616
40	Bushing, handle pivot	2	107TA6617
41	Shaft, handle pivot	1	107TA6618
42	Axle	1	107TA6619
43	Elastic pin	1	107TA6620
44	Roller, control handle pump	1	107TA6621
45	Rod complete, lowering	1	107TA6622
46	Spring	1	107TA6623
47	Hexagonal nut	1	107TA6624
48	Bushing, control handle pump roller	1	107TA6625
49	Pump, hydraulic	1	124TA1642
50	Piston, lift cylinder pallet truck	1	124TA1644
51	Body, hydraulic pump unit piston	1	124TA1646
52	O-ring	1	107TA6629
53	Washer (synthetic) (thickness: 4 mm)	1	107TA6630
54	Screw	1	107TA6631
55	Oil seal	1	107TA6632
56	Piston, hydraulic pump unit	1	107TA6634
57	Screw	1	107TA6635
58	Washer (copper) (thickness: 2,5 mm)	1	105TA1188
59	Spring	1	107TA6636
60	Lever lift control	1	107TA6637
61	Oil seal	1	107TA6638
62	Lip seal	1	107TA6639
63	Steel ball	1	107TA6641
64	O-ring	1	124TA1648



HYDRAULIC UNIT BT LIFTER L2000 QUICK 10/11 (-2399999)





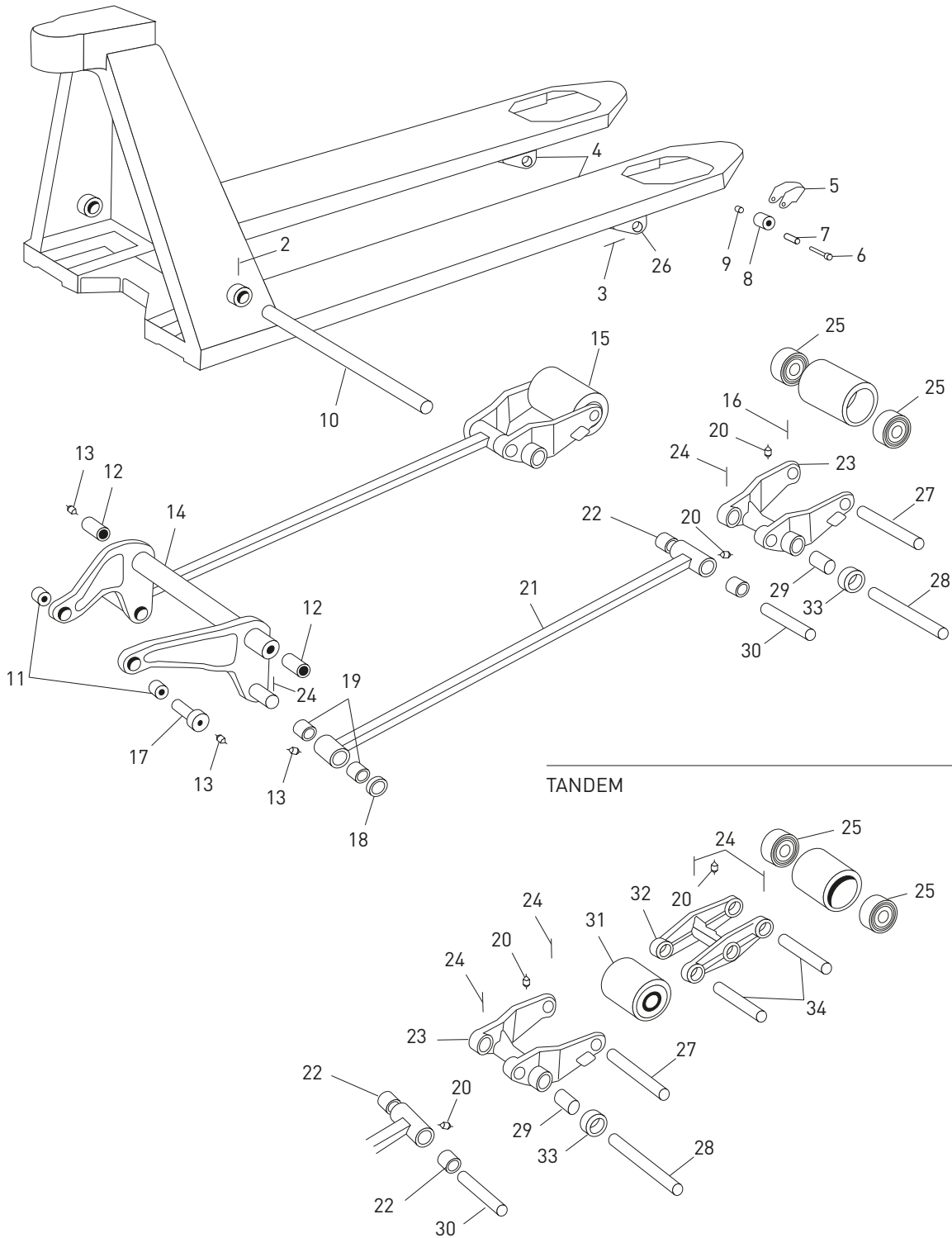
HYDRAULIC UNIT BT LIFTER L2000 QUICK 10/11 (-2399999)

Nr	Description	Qty	REF	Nr	Description	Qty	REF
65	Washer (thickness: 1 mm)	1	<u>124TA1650</u>				
66	Turning (brass)	1	<u>124TA1652</u>				
67A	Kit seal, hydraulic pump unit piston (pump cylinder)	1	<u>107TA6645</u>				
67B	Kit seal, lift cylinder (lift cylinder)	1	<u>124TA1654</u>				
67C	Seal kit (valve unit)	1	<u>124TA1656</u>				
68	Steel ball	1	<u>107TA6641</u>				
69	Washer (copper) (thickness: 1,4 mm)	1	<u>105TA1358</u>				
70	O-ring	1	<u>107TA6649</u>				
71	Valve housing	1	<u>107TA6650</u>				
72	Spring	1	<u>107TA6651</u>				
73	Lip seal	1	<u>107TA6652</u>				
74	Guide, spring	1	<u>107TA6653</u>				
75	Plunger, valve	1	<u>106TA7043</u>				
76	Kit seal, hydraulic unit	1	<u>107TA6990</u>				
77	Ball bearing	1	<u>124TA1658</u>				
78	Washer (thickness: 1,5 mm)	1	<u>124TA1660</u>				
79	O-ring	1	<u>124TA1662</u>				
80	Bushing	1	<u>124TA1664</u>				
81	Spring	1	<u>124TA1666</u>				
82	Screw	1	<u>124TA1668</u>				
83	Plunger, valve	1	<u>124TA1670</u>				
84	Screw	1	<u>124TA1672</u>				
85	Washer (copper) (thickness: 2,5 mm)	1	<u>105TA1188</u>				
86	Spring	1	<u>107TA6636</u>				
87	Steel ball	1	<u>107TA6641</u>				
88	Ball bearing	1	<u>124TA1658</u>				

LIFTER L2000 QUICK 10/11 (-2399999)



MAIN FRAME BT LIFTER L2000 QUICK 10/11 (-2399999)





MAIN FRAME BT LIFTER L2000 QUICK 10/11 (-2399999)

Nr	Description	Qty	REF
2	Cap, control handle pivot return spring	1	107TA6592
3	Elastic pin	4	107TA6655
4	Ear	2	107TA6657
5	Clamp	2	107TA6658
6	Shaft/bolt, entry roller	2	107TA6659
7	Spacer, entry roller	2	107TA6660
8	Wheel, entry roller	2	107TA2891
9	Hexagonal nut	2	107TA6661
10	Shaft pivot, torsion tube	1	107TA6662
11	Shaft, torsion tube to thrust plate	2	105TA1924
12	Bushing, torsion tube pivot	2	105TA2177
13	Grease nipple	2	107TA6594
14	Torsion tube	1	107TA6663
15A	Wheel assembly, load (nylon) (single)	2	107TA6664
15B	Wheel assembly, load (polyurethane) (single)	2	107TA6665
15C	Wheel assembly, load (steel) (single)	2	107TA6666
15D	Wheel assembly, load (nylon) (single) (L2000/11) (2256000-)	2	107TA2928
15E	Wheel assembly, load (polyurethane) (single) (L2000/11) (2256000-)	2	107TA6667
15F	Wheel assembly, load (Vulkollan®) (single) (L2000/11) (2256000-)	2	107TA6668
16	Elastic pin	2	107TA6592
17	Arm bolt	2	107TA6669
18	Washer (thickness: 4,2 mm)	2	107TA6670
19	Bushing, push/pull rod non fork end	4	107TA6671
20	Grease nipple	8	107TA6594
21A	Push/pull rod assembly, lift structure (fork length: 1000 mm)	2	107TA6672
21B	Push/pull rod assembly, lift structure (fork length: 1070 mm)	2	107TA6673
21C	Push/pull rod assembly, lift structure (fork length: 1150 mm)	2	105TA4604
21D	Push/pull rod assembly, lift structure (fork length: 1220 mm)	2	107TA6674
22	Bushing, push/pull rod fork end	4	105TA2174

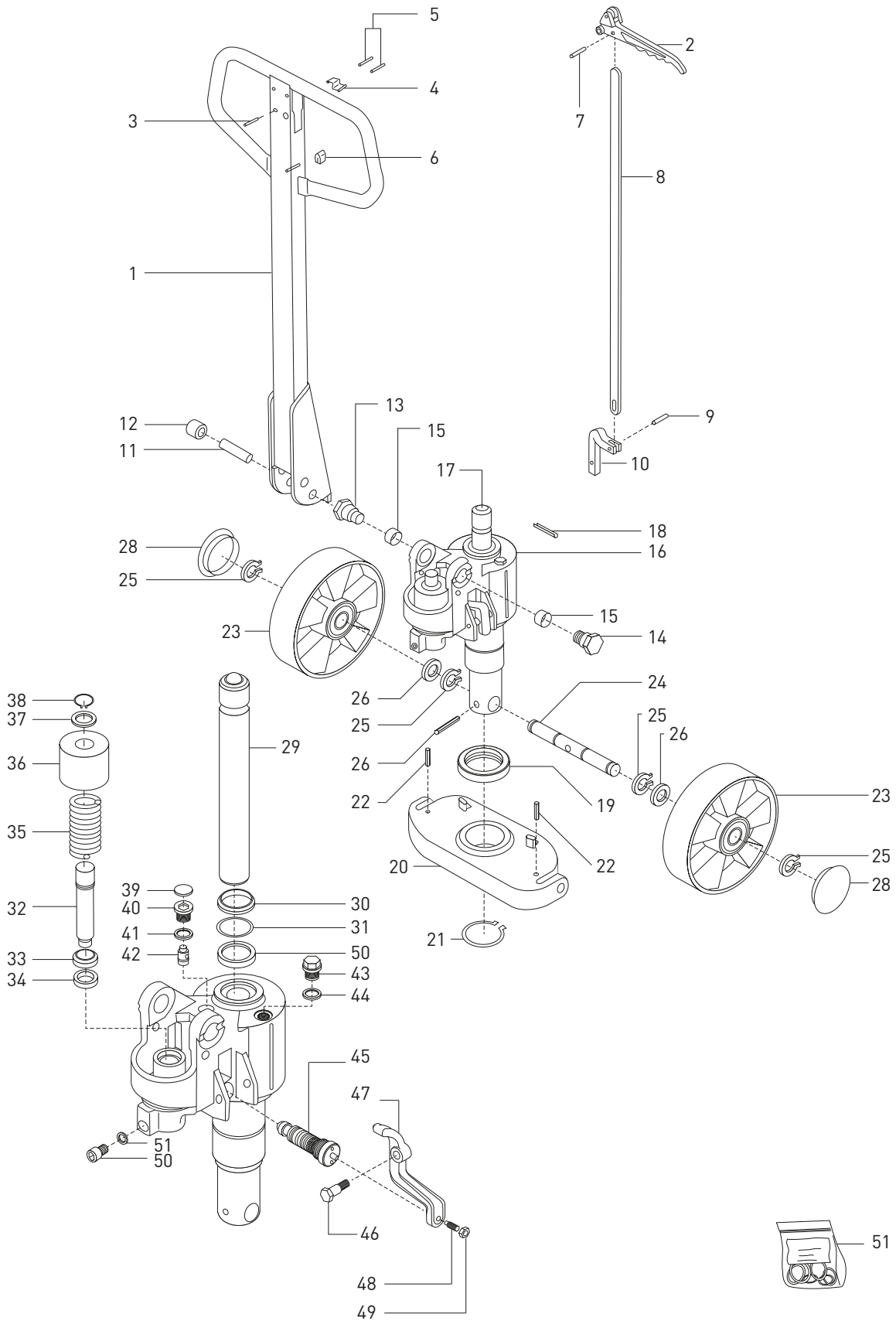
Nr	Description	Qty	REF
23	Fork, bracket load wheel	2	106TA7393
24	Elastic pin	6	107TA6592
25A	Bearing	4	106TA6778
25B	Bearing	4	107TA6675
26A	Wheel assembly, load (nylon) (single wheel) (without bearings)	2	105TA4633
26B	Wheel assembly, load (polyurethane) (nylon rim)	2	107TA6676
26C	Wheel assembly, load (steel) (single) (without bearings)	2	107TA2968
27	Shaft, fork load wheel bracket to chassis	2	107TA6677
28	Wheel, exit roller	2	107TA6679
29	Wheel, exit roller	4	105TA2175
30	Shaft, push/pull rod fork end (diameter: 18 mm) (length: 84,5 mm)	2	107TA6681
31A	Wheel assembly, load (nylon) (tandem)	4	107TA2936
31B	Wheel assembly, load (polyurethane) (nylon rim)	4	107TA6682
31C	Wheel assembly, load (steel) (tandem)	4	107TA2957
31D	Wheel assembly, load (nylon) (tandem) (L2000/11) (2256000-)	4	107TA2935
31E	Wheel assembly, load (polyurethane) (nylon rim) (tandem) (L2000/11) (2256000-)	4	107TA6683
31F	Wheel assembly, load (Vulkollan®) (tandem) (L2000/11) (2256000-)	4	107TA2788
32	Fork, bracket load wheel	2	107TA6684
33A	Wheel assembly, load (nylon)	4	107TA6685
33B	Wheel assembly, load (polyurethane) (nylon rim) (tandem) (without bearings)	4	107TA6686
33C	Wheel assembly, load (steel) (tandem) (without bearings)	4	107TA6687
34	Shaft/bolt load wheel	4	106TA7044
35	Wheel, exit roller	2	106TA7045
36	Ear	2	107TA6688

LIFTER L2000 QUICK 10/11 (-2399999)



FK 2000/2500/3000 (31/03/1989-31/08/1992)

HYDRAULIC UNIT BULLI FK 2000/2500/3000 (31/03/1989-31/08/1992)





HYDRAULIC UNIT BULLI FK 2000/2500/3000 (31/03/1989–31/08/1992)

Nr	Description	Qty	REF	Nr	Description	Qty	REF
1	Bracket, tiller arm	1	124TA1490	32	Piston, hydraulic pump unit	1	124TA1525
2	Lever lowering, tiller	1	124TA1491	33	Wiper ring (polyurethane)	1	124TA1526
3	Elastic pin	1	124TA1492	34	Lip seal	1	124TA1527
4	Spring, lever	1	124TA1493	35	Spring, control handle return torsion	1	124TA1528
5	Elastic pin	2	124TA1494	36	Cap, control handle pivot return spring	1	124TA1529
6	Stop (rubber)	1	124TA1495	37	Shim (thickness: 3 mm)	1	124TA1530
7	Elastic pin	1	124TA1496	38	Circlip	1	124TA1531
8	Rod complete, lowering	1	124TA1497	39	Screw, plug (m14)	1	124TA1532
9	Elastic pin	1	124TA1492	40	Screw, plug (m14)	1	124TA1533
10	Lever, reversing	1	124TA1498	41	Sealing ring (copper) (thickness: 1,4 mm)	1	124TA1534
11	Pin, control handle pump roller	1	124TA1499	42	Valve release, hydraulic unit	1	124TA1535
12	Roller, control handle pump	1	124TA1500	43	Screw, plug	1	124TA1536
13	Bolt (LH thread)	1	124TA1501	44	Sealing ring (copper) (thickness: 1,4 mm)	1	124TA1534
14	Bolt (RH thread)	1	124TA1502	45	Valve release, hydraulic unit	1	124TA1537
15	Bushing, handle pivot	2	124TA1503	46	Screw	1	124TA1538
16	Hydraulic unit	1	124TA1504	47	Lever lift control	1	124TA1539
17	Steel ball, lift cylinder piston pallet truck	1	124TA1505	48	Screw	1	124TA1540
18	Elastic pin	1	124TA1506	49	Nut	1	124TA1541
19	Spacer, pivot bearing hydraulic pump unit to chassis	1	124TA1507	50	Lip seal	1	124TA1542
20	Thrust plate, hydraulic pump unit mounting	1	124TA1508	51	Kit seal, hydraulic unit	1	107TA6995
21	Circlip	1	124TA1509				
22	Elastic pin	2	124TA1510				
23A	Wheel assembly, steer (rubber)	2	124TA1511				
23B	Wheel assembly, steer (polyurethane)	2	124TA1512				
23C	Wheel assembly, steer (nylon)	2	124TA1513				
23D	Wheel assembly, steer (polyurethane) (aluminium core)	2	124TA1514				
24	Shaft, steer wheel	1	124TA1515				
25	Circlip	4	124TA1516				
26	Shim (thickness: 1 mm)	2	124TA1517				
27	Cotter pin	1	124TA1518				
28A	Cap, front wheel hub (for nylon wheel)	2	124TA1519				
28B	Cap, front wheel hub (for polyurethane wheel)	2	124TA1521				
29	Piston, lift cylinder pallet truck	1	124TA1522				
30	Wiper ring (polyurethane)	1	124TA1523				
31	Composite seal	1	124TA1524				

FK 2000 (31/03/1989–31/08/1992)



HYDRAULIC UNIT BULLI FK 2500 (31/03/1989-31/08/1992)

Nr	Description	Qty	REF	Nr	Description	Qty	REF
1	Bracket, tiller arm	1	124TA1490	33	Wiper ring (rubber)	1	124TA1545
2	Lever lowering, tiller	1	124TA1491	34	Lip seal	1	124TA1546
3	Elastic pin	1	124TA1492	35	Spring, control handle return torsion	1	124TA1528
4	Spring, lever	1	124TA1493	36	Cap, control handle pivot return spring	1	124TA1529
5	Elastic pin	2	124TA1494	37	Shim (thickness: 3 mm)	1	124TA1530
6	Stop (rubber)	1	124TA1495	38	Circlip	1	124TA1531
7	Elastic pin	1	124TA1496	39	Screw, plug (M14)	1	124TA1532
8	Rod complete, lowering	1	124TA1497	40	Screw, plug (M14)	1	124TA1533
9	Elastic pin	1	124TA1492	41	Sealing ring (copper) (thickness: 1,4 mm)	1	124TA1534
10	Lever, reversing	1	124TA1498	42	Screw, plug (M14)	1	124TA2639
11	Pin, control handle pump roller	1	124TA1499	43	Screw, plug	1	124TA1536
12	Roller, control handle pump	1	124TA1500	44	Sealing ring (copper) (thickness: 1,4 mm)	1	124TA1534
13	Bolt (LH thread)	1	124TA1501	45	Valve release, hydraulic unit	1	124TA1537
14	Bolt (RH thread)	1	124TA1502	46	Screw	1	124TA1538
15	Bushing, handle pivot	2	124TA1503	47	Lever lift control	1	124TA1539
16	Hydraulic unit	1	124TA1543	48	Screw	1	124TA1540
17	Steel ball, lift cylinder piston pallet truck	1	124TA1505	49	Nut	1	124TA1541
18	Elastic pin	1	124TA1506	50	Lip seal	1	124TA1542
19	Spacer, pivot bearing hydraulic pump unit to chassis	1	124TA1507	51	Kit seal, hydraulic unit	1	124TA2646
20	Thrust plate, hydraulic pump unit mounting	1	124TA1508				
21	Circlip	1	124TA1509				
22	Elastic pin	2	124TA1510				
23A	Wheel assembly, steer (rubber)	2	124TA1511				
23B	Wheel assembly, steer (polyurethane)	2	124TA1512				
23C	Wheel assembly, steer (nylon)	2	124TA1513				
23D	Wheel assembly, steer (polyurethane) (aluminium core)	2	124TA1514				
24	Shaft, steer wheel	1	124TA1515				
25	Circlip	4	124TA1516				
26	Shim (thickness: 1 mm)	2	124TA1517				
27	Cotter pin	1	124TA1518				
28A	Cap, front wheel hub (for nylon wheel)	2	124TA1519				
28B	Cap, front wheel hub (for polyurethane wheel)	2	124TA1521				
29	Piston, hydraulic pump unit	1	124TA1522				
30	Wiper ring (polyurethane)	1	124TA1523				
31	Composite seal	1	124TA1524				
32	Piston, hydraulic pump unit	1	124TA1544				



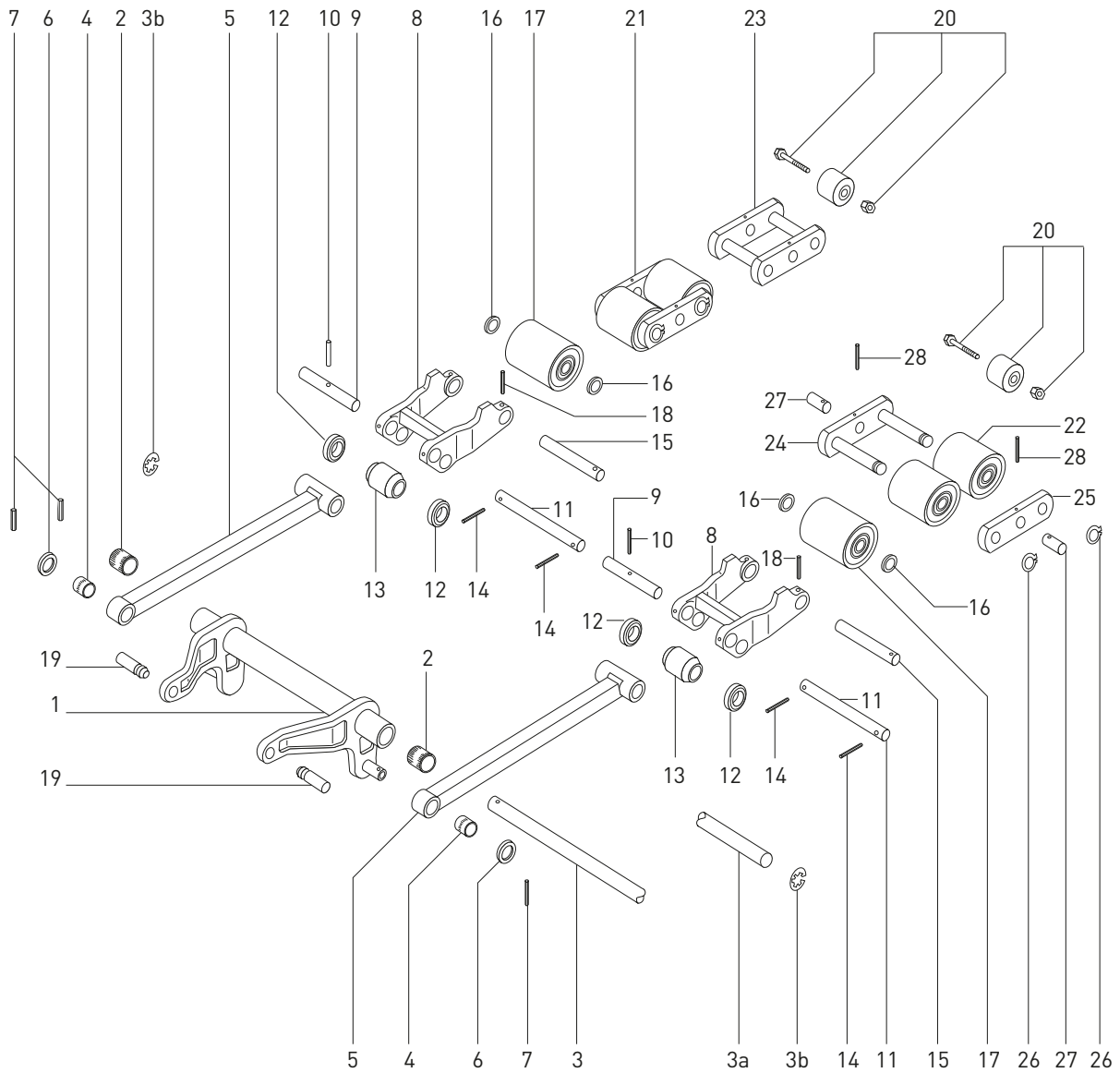
HYDRAULIC UNIT BULLI FK 3000 (31/03/1989-31/08/1992)

Nr	Description	Qty	REF	Nr	Description	Qty	REF
1	Bracket, tiller arm	1	124TA1490	31	Composite seal	1	124TA1524
2	Lever lowering, tiller	1	124TA1491	32	Piston, hydraulic pump unit	1	124TA1551
3	Elastic pin	1	124TA1492	33	Wiper ring (polyurethane)	1	124TA1552
4	Spring, lever	1	124TA1493	34	Lip seal	1	124TA1553
5	Elastic pin	2	124TA1494	35	Spring, control handle return torsion	1	124TA1528
6	Stop (rubber)	1	124TA1495	36	Cap, control handle pivot return spring	1	124TA1529
7	Elastic pin	1	124TA1496	37	Shim (thickness: 3 mm)	1	124TA1530
8	Lowering linkage	1	124TA1497	38	Circlip	1	124TA1531
9	Elastic pin	1	124TA1492	39	Screw, plug (M14)	1	124TA1532
10	Lever, reversing	1	124TA1498	40	Screw, plug (M14)	1	124TA1533
11	Pin, control handle pump roller	1	124TA1499	41	Sealing ring (copper) (thickness: 1,4 mm)	1	124TA1534
12	Roller, control handle pump	1	124TA1500	42	Valve release, hydraulic unit	1	124TA1554
13	Shaft, handle pivot	2	124TA1501	43	Screw, plug	1	124TA1536
14	Bolt (RH thread) (tension pin)	1	124TA1502	44	Sealing ring (copper) (thickness: 1,4 mm)	1	124TA1534
15	Bushing, handle pivot	2	124TA1503	45	Valve release, hydraulic unit	1	124TA1537
16	Hydraulic unit	1	124TA1548	46	Lever lift control	1	124TA1538
17	Steel ball, lift cylinder piston pallet truck	1	124TA1505	47	Handle	1	124TA1539
18	Elastic pin	1	124TA1506	48	Screw	1	124TA1540
19	Bearing, hydraulic unit pivot	1	124TA1507	49	Nut	1	124TA1541
20	Thrust plate, hydraulic pump unit mounting	1	124TA1508	50	Lip seal	1	124TA1542
21	Circlip	1	124TA1509	51	Kit seal, hydraulic unit	1	124TA2651
22	Elastic pin	2	124TA1510				
23A	Wheel assembly, steer (rubber)	2	124TA1549				
23B	Wheel assembly, steer (polyurethane)	2	124TA1512				
23C	Wheel assembly, steer (nylon)	2	124TA1513				
23D	Wheel assembly, steer (polyurethane) (aluminium core)	2	124TA1514				
24	Shaft, steer wheel	1	124TA1515				
25	Circlip	4	124TA1516				
26	Shim (thickness: 1 mm)	2	124TA1517				
27	Cotter pin	1	124TA1518				
28A	Cap, front wheel hub (for rubber wheel)	2	124TA1550				
28B	Cap, front wheel hub (for nylon wheel)	2	124TA1519				
28C	Cap, front wheel hub (for polyurethane wheel)	2	124TA1521				
29	Piston, lift cylinder pallet truck	1	124TA1522				
30	Wiper ring (polyurethane)	1	124TA1523				



FK 2000/2500/3000 (31/03/1989-31/08/1992)

MAIN FRAME BULLI FK 2000/2500/3000 (31/03/1989-31/08/1992)





MAIN FRAME BULLI FK 2000/2500/3000 (31/03/1989–31/08/1992)

Nr	Description	Qty	REF
1	Torsion tube (frame width: 570 mm)	1	124TA1558
1	Torsion tube (frame width: 450 mm)	1	124TA1555
1	Torsion tube (frame width: 540 mm)	1	124TA1557
1	Torsion tube (frame width: 520 mm)	1	124TA1556
2	Bushing, torsion tube pivot	2	124TA1559
3A	Shaft pivot, torsion tube (frame width: 450 mm)	1	124TA1560
3B	Shaft pivot, torsion tube	1	124TA1561
3C	Shaft pivot, torsion tube (frame width: 540 mm)	1	124TA1562
3D	Shaft pivot, torsion tube (frame width: 680 mm)	1	124TA1563
4	Bushing, push/pull rod fork end	2	124TA1564
5A	Push/pull rod assembly, lift structure (fork length: 910 mm)	2	124TA1565
5B	Push/pull rod assembly, lift structure (fork length: 1000 mm)	2	124TA1566
5C	Push/pull rod assembly, lift structure (fork length: 1150 mm)	2	124TA1567
5D	Push/pull rod assembly, lift structure (fork length: 1220 mm)	2	124TA1568
6	Washer (thickness: 4,2 mm)	2	124TA1569
7	Elastic pin	2	124TA1510
8	Fork, bracket load wheel	2	124TA1570
9A	Shaft, fork load wheel bracket to chassis	1	124TA1571
9B	Axle, exit roller	1	124TA1571
10	Elastic pin	2	124TA1510
11A	Shaft, fork load wheel bracket to chassis	1	124TA1572
11B	Axle, exit roller	1	124TA1572
12	Wheel, exit roller (nylon) (intermediate)	4	124TA1573
13	Wheel, exit roller	2	124TA1574
14	Elastic pin	4	124TA1510
15	Shaft/bolt load wheel	2	124TA1575
16A	Shim (plastic) (thickness: 1,1 mm)	4	124TA1576
16B	Washer (nylon) (thickness: 2 mm)	4	124TA1577

Nr	Description	Qty	REF
17A	Wheel assembly, load (nylon) (single)	2	124TA1578
17B	Wheel assembly, load (polyurethane) (nylon rim) (single)	2	124TA1579
17C	Load wheel (steel) (single) (without bearings)	2	124TA1580
17D	Wheel assembly, load (Vulkollan®) (single)	2	124TA1581
18	Elastic pin	2	124TA1510
19	Shaft, torsion tube to thrust plate	2	124TA1582
20	Entry roller assembly	2	124TA1583
21A	Carrier complete, load wheel (nylon) (tandem)	2	124TA1584
21B	Carrier complete, load wheel (polyurethane) (nylon rim) (tandem)	2	124TA1585
21C	Carrier complete, load wheel (steel) (tandem)	2	124TA1586
21D	Carrier complete, load wheel (Vulkollan®)	2	124TA1587
22A	Wheel assembly, load (nylon) (tandem)	4	124TA1588
22B	Wheel assembly, load (polyurethane) (nylon rim) (tandem)	4	124TA1589
22C	Wheel assembly, load (steel) (tandem)	4	124TA1590
22D	Wheel assembly, load (polyurethane) (tandem)	4	147TA3916
23	Fork, load wheel	2	124TA1592
24	Fork, load wheel	2	124TA1593
25	Fork, load wheel	2	124TA1594
26	Circlip	4	124TA1595
27	Shaft, center, fork load wheel	4	124TA1596
28	Elastic pin	4	124TA1597

FK 2000 (31/03/1989–31/08/1992)



FK 2500 (31/03/1989-31/08/1992)

MAIN FRAME BULLI FK 2500 (31/03/1989-31/08/1992)

Nr	Description	Qty	REF
1A	Torsion tube (length: 450 mm)	1	124TA1555
1B	Torsion tube (length: 520 mm)	1	124TA1556
1C	Torsion tube (length: 540 mm)	1	124TA1557
1D	Torsion tube (length: 570 mm)	1	124TA1558
2	Bushing, torsion tube pivot	2	124TA1559
3A	Shaft pivot, torsion tube (length: 450 mm)	1	124TA1560
3B	Shaft pivot, torsion tube	1	124TA1561
3C	Shaft pivot, torsion tube (length: 540 mm)	1	124TA1562
3D	Shaft pivot, torsion tube (length: 680 mm)	1	124TA1563
4	Bushing, push/pull rod fork end	2	124TA1564
5A	Push/pull rod assembly, lift structure (length: 910 mm)	2	124TA1565
5B	Push/pull rod assembly, lift structure (length: 1000 mm)	2	124TA1566
5C	Push/pull rod assembly, lift structure (length: 1150 mm)	2	124TA1567
5D	Push/pull rod assembly, lift structure (length: 1220 mm)	2	124TA1568
6	Washer (thickness: 4,2 mm)	2	124TA1569
7	Elastic pin	2	124TA1510
8	Fork, bracket load wheel	2	124TA1570
9A	Shaft, fork load wheel bracket to chassis	2	124TA1571
9B	Axle, exit roller	2	124TA1571
10	Elastic pin	2	124TA1510
11A	Shaft, fork load wheel bracket to chassis	2	124TA1572
11B	Axle, exit roller	2	124TA1572
12	Wheel, exit roller (nylon)	4	124TA1573
13	Wheel, exit roller	2	124TA1574
14	Elastic pin	4	124TA1510
15	Shaft/bolt load wheel	2	124TA1575
16A	Shim (plastic) (thickness: 1,1 mm)	4	124TA1576
16B	Washer (nylon) (thickness: 2 mm)	4	124TA1577
17A	Wheel assembly, load (nylon) (single)	2	124TA1578

Nr	Description	Qty	REF
17B	Wheel assembly, load (polyurethane) (nylon rim) (single)	2	124TA1579
17C	Load wheel (steel) (single) (without bearings)	2	124TA1580
17D	Wheel assembly, load (Vulkollan®) (single)	2	124TA1581
18	Elastic pin	2	124TA1510
19	Arm pin	2	124TA1582
20	Entry roller assembly	2	124TA1583
21A	Carrier complete, load wheel (nylon) (tandem)	2	124TA1584
21B	Carrier complete, load wheel (polyurethane) (nylon rim) (tandem)	2	124TA1585
21C	Carrier complete, load wheel (steel)	2	124TA1586
21D	Carrier complete, load wheel (Vulkollan®)	2	124TA1587
22A	Wheel assembly, load (nylon) (tandem)	4	124TA1588
22B	Wheel assembly, load (polyurethane) (nylon rim) (tandem)	4	124TA1589
22C	Wheel assembly, load (steel) (tandem)	4	124TA1590
22D	Wheel assembly, load (polyurethane) (tandem)	4	147TA3916
23	Fork, load wheel	2	124TA1592
24	Fork, load wheel	2	124TA1593
25	Fork, load wheel	2	124TA1594
26	Circlip	4	124TA1595
27	Shaft, center, fork load wheel	4	124TA1596
28	Elastic pin	4	124TA1597



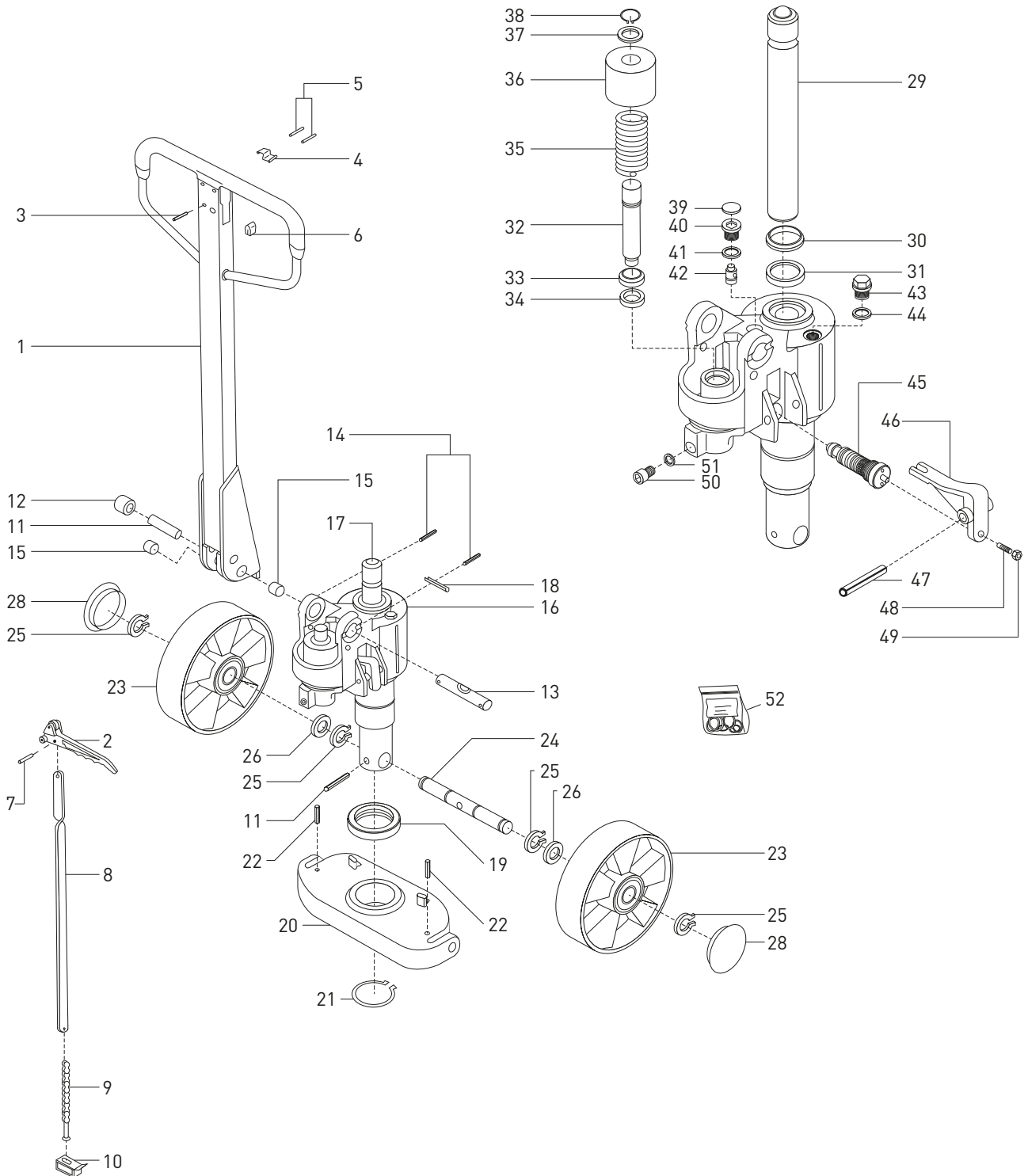
MAIN FRAME BULLI FK 3000 (31/03/1989–31/08/1992)

Nr	Description	Qty	REF	Nr	Description	Qty	REF
1A	Torsion tube (frame width: 450 mm)	1	124TA1555	17B	Wheel assembly, load (polyurethane) (nylon rim) (single)	2	124TA1579
1B	Torsion tube (frame width: 520 mm)	1	124TA1556	17C	Load wheel (steel) (single) (without bearings)	2	124TA1580
1C	Torsion tube (frame width: 540 mm)	1	124TA1557	17D	Wheel assembly, load (Vulkollan®) (single)	2	124TA1581
1D	Torsion tube (frame width: 570 mm)	1	124TA1558	18	Elastic pin	2	124TA1510
2	Bushing, torsion tube pivot	2	124TA1559	19	Shaft, torsion tube to lift cylinder bracket	2	124TA1582
3A	Shaft pivot, torsion tube (frame width: 450 mm)	1	124TA1560	20	Entry roller assembly	2	124TA1583
3B	Shaft pivot, torsion tube	1	124TA1561	21A	Carrier complete, load wheel (nylon) (tandem)	2	124TA1584
3C	Shaft pivot, torsion tube (frame width: 540 mm)	1	124TA1562	21B	Carrier complete, load wheel (polyurethane) (nylon rim) (tandem)	2	124TA1585
3D	Shaft pivot, torsion tube (frame width: 680 mm)	1	124TA1563	21C	Carrier complete, load wheel (steel)	2	124TA1586
4	Bushing, push/pull rod non fork end	2	124TA1564	21D	Carrier complete, load wheel (Vulkollan®) (tandem)	2	124TA1587
5A	Push/pull rod assembly, lift structure (fork length: 910 mm)	2	124TA1565	22A	Wheel assembly, load (nylon) (tandem)	4	124TA1588
5B	Push/pull rod assembly, lift structure (fork length: 1000 mm)	2	124TA1566	22B	Wheel assembly, load (polyurethane) (nylon rim) (tandem)	4	124TA1589
5C	Push/pull rod assembly, lift structure (fork length: 1150 mm)	2	124TA1567	22C	Wheel assembly, load (steel) (tandem)	4	124TA1590
5D	Push/pull rod assembly, lift structure (fork length: 1220 mm)	2	124TA1568	22D	Wheel assembly, load (polyurethane) (tandem)	4	147TA3916
6	Washer (thickness: 4,2 mm)	2	124TA1569	23	Fork, load wheel	2	124TA1592
7	Elastic pin	2	124TA1510	24	Fork, load wheel	2	124TA1593
8	Fork, bracket load wheel	2	124TA1570	25	Fork, load wheel	2	124TA1594
9A	Shaft, fork load wheel bracket to chassis	2	124TA1571	26	Circlip	4	124TA1595
9B	Axle, exit roller	2	124TA1571	27	Shaft, center, fork load wheel	4	124TA1596
10	Elastic pin	2	124TA1510	28	Elastic pin	4	124TA1597
11A	Shaft, fork load wheel bracket to chassis	2	124TA1572				
11B	Axle, exit roller	2	124TA1572				
12	Wheel, exit roller (nylon) (intermediate)	4	124TA1573				
13	Wheel, exit roller	2	124TA1574				
14	Elastic pin	4	124TA1510				
15	Shaft/bolt load wheel	2	124TA1575				
16A	Shim (plastic) (thickness: 1,1 mm)	4	124TA1576				
16B	Washer (nylon) (thickness: 2 mm)	4	124TA1577				
17A	Wheel assembly, load (nylon) (single)	2	124TA1578				



FK 2000/2500/3000 (1/09/1992-31/10/2004)

HYDRAULIC UNIT BULLI FK 2000/2500/3000 (1/09/1992-31/10/2004)





HYDRAULIC UNIT BULLI FK 2500 (1/09/1992-31/10/2004)

Nr	Description	Qty	REF
1	Handle assembly	1	124TA2626
2	Lever lowering, tiller	1	124TA2627
3	Lock pin	1	124TA1492
4	Spring, lever	1	124TA1493
5	Lock pin	2	124TA1494
6	Stop (rubber)	1	124TA1495
7	Elastic pin (lowering linkage)	1	124TA1496
8	Lowering rod	1	124TA2116
9	Chain, hydraulic unit	1	124TA2117
10	Spring, lever (lowering)	1	124TA2118
11	Pin, control handle pump roller	1	124TA1499
12	Roller, control handle pump	1	124TA1500
13	Shaft, handle pivot	1	124TA2119
14	Elastic pin (pivot pin)	2	124TA1597
15	Bushing, handle pivot	2	124TA2120
16	Hydraulic unit	1	124TA2128
17	Steel ball, lift cylinder piston pallet truck	1	124TA1505
18	Elastic pin (lifting head)	1	124TA1506
19	Bearing, hydraulic unit pivot	1	124TA1507
20	Thrust plate, hydraulic pump unit mounting	1	124TA1508
21	Circlip	1	124TA1509
22	Elastic pin (pressure plate)	2	124TA1510
23A	Wheel assembly, steer (rubber)	1	124TA2122
23B	Wheel assembly, steer (polyurethane)	2	124TA1512
23C	Wheel assembly, steer (nylon)	2	124TA1513
23D	Wheel assembly, steer (Vulkollan®)	2	124TA1514
24	Shaft, steer wheel	1	124TA1515
25	Circlip (for steering roller shaft)	1	124TA1516
26	Shim (thickness: 1 mm)	1	124TA1517
27	Elastic pin (steering wheel shaft)	1	124TA1518
28A	Cap, front wheel hub	2	124TA1519
28B	Cap, front wheel hub	2	124TA1520
28C	Cap, front wheel hub	2	124TA1521
29	Piston, lift cylinder pallet truck	1	124TA2628
30	Wiper ring (rubber)	1	124TA2123
31	Lip seal	1	124TA2629
32	Piston, hydraulic pump unit	1	124TA2630

Nr	Description	Qty	REF
33	Wiper ring (polyurethane)	1	124TA2631
34	Lip seal	1	124TA2632
35	Spring, control handle return torsion	1	124TA2633
36	Cap, control handle pivot return spring	1	124TA2125
37	Shim (thickness: 3 mm)	1	124TA2634
38	Circlip	1	124TA2635
39	Plug	1	124TA1532
40	Screw, plug	1	124TA2637
41	Sealing ring (copper)	1	124TA2638
42	Screw, plug	1	124TA2639
43	Screw, plug	1	124TA2640
44	Sealing ring (copper)	1	124TA2638
45	Valve release, hydraulic unit	1	124TA2641
46	Lever lift control	1	124TA2126
47	Elastic pin (lowering lever)	1	124TA2127
48	Screw	1	124TA2642
49	Nut	1	124TA2643
50	Screw, plug	1	124TA2644
51	Sealing ring	1	124TA2645
52	Kit seal, hydraulic unit	1	107TA7022



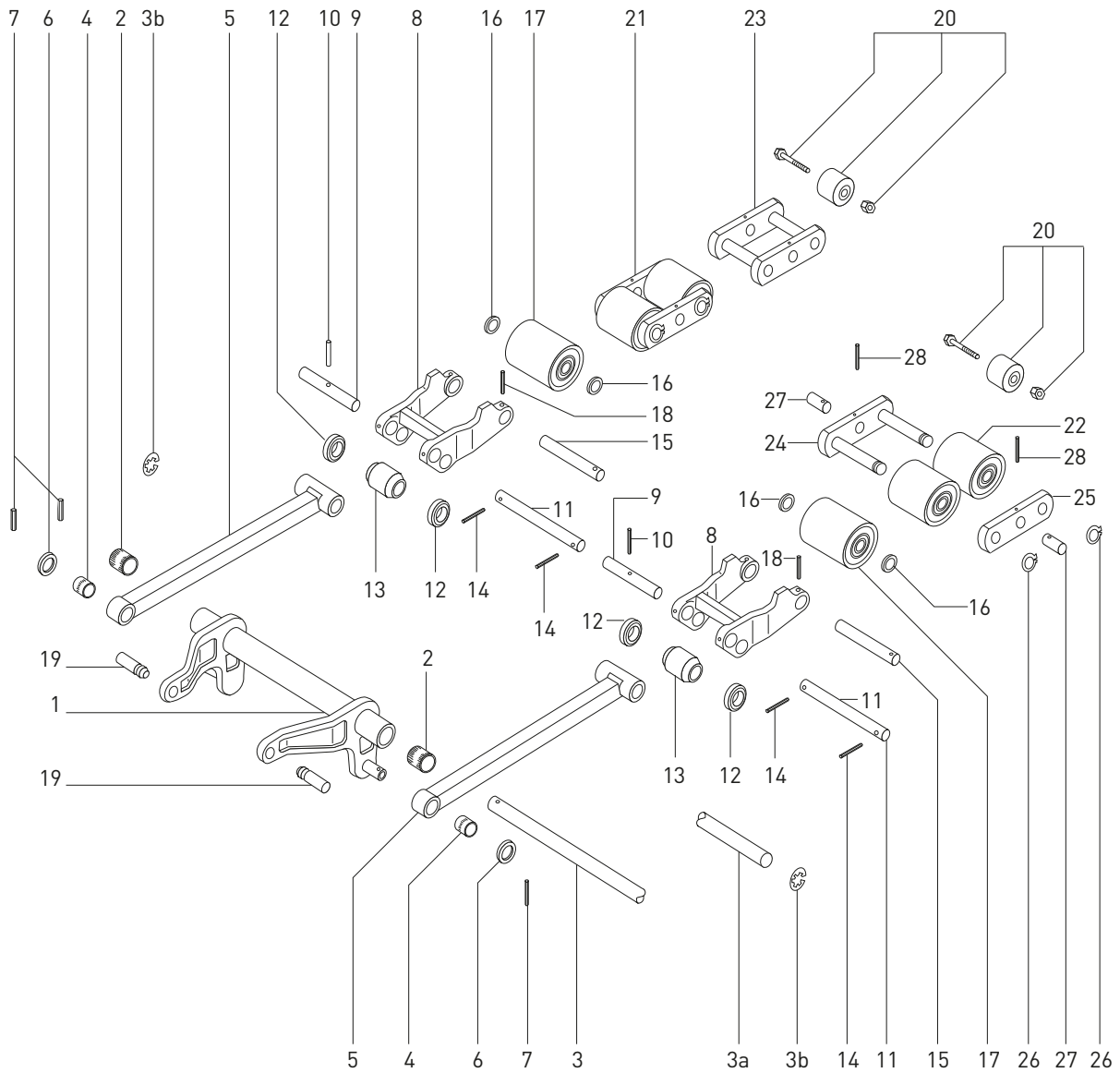
HYDRAULIC UNIT BULLI FK 3000 (1/09/1992-31/10/2004)

Nr	Description	Qty	REF	Nr	Description	Qty	REF
1	Handle assembly	1	124TA2626	32	Piston, hydraulic pump unit	1	124TA2647
2	Lever lowering, tiller	1	124TA2627	33	Wiper ring (polyurethane)	1	124TA2648
3	Lock pin	1	124TA1492	34	Lip seal	1	124TA2649
4	Spring, lever	1	124TA1493	35	Spring, control handle return torsion	1	124TA2124
5	Lock pin	2	124TA1494	36	Cap, control handle pivot return spring	1	124TA2125
6	Stop (rubber)	1	124TA1495	37	Shim (thickness: 3 mm)	1	124TA2634
7	Elastic pin (lowering linkage)	1	124TA1496	38	Circlip	1	124TA2635
8	Lowering rod	1	124TA2116	39	Plug	1	124TA1532
9	Chain, hydraulic unit	1	124TA2117	40	Screw, plug	1	124TA2637
10	Spring, lever (lowering)	1	124TA2118	41	Sealing ring (copper)	1	124TA2638
11	Pin, control handle pump roller	1	124TA1499	42	Valve release, hydraulic unit	1	124TA2650
12	Roller, control handle pump	1	124TA1500	43	Screw, plug	1	124TA2640
13	Shaft, handle pivot	1	124TA2119	44	Sealing ring (copper)	1	124TA2638
14	Elastic pin (pivot pin)	2	124TA1597	45	Valve release, hydraulic unit	1	124TA2641
15	Bushing, handle pivot	2	124TA2120	46	Lever lift control	1	124TA2126
16	Hydraulic unit	1	124TA2129	47	Elastic pin (lowering lever)	1	124TA2127
17	Steel ball, lift cylinder piston pallet truck	1	124TA1505	48	Screw	1	124TA2642
18	Elastic pin (lifting head)	1	124TA1506	49	Nut	1	124TA2643
19	Bearing, hydraulic unit pivot	1	124TA1507	50	Screw, plug	1	124TA2644
20	Thrust plate, hydraulic pump unit mounting	1	124TA1508	51	Sealing ring	1	124TA2645
21	Circlip	1	124TA1509	52	Kit seal, hydraulic unit	1	107TA7023
22	Elastic pin (pressure plate)	1	124TA1510				
23A	Wheel assembly, steer (rubber)	2	124TA1549				
23B	Wheel assembly, steer (polyurethane)	2	124TA1512				
23C	Wheel assembly, steer (nylon)	2	124TA1513				
23D	Wheel assembly, steer (Vulkollan®)	2	124TA1514				
24	Shaft, steer wheel	1	124TA1515				
25	Circlip (for steering roller shaft)	1	124TA1516				
26	Shim (thickness: 1 mm)	1	124TA1517				
27	Elastic pin (steering wheel shaft)	1	124TA1518				
28A	Cap, front wheel hub	2	124TA1550				
28B	Cap, front wheel hub	2	124TA1519				
28C	Cap, front wheel hub	2	124TA1520				
28D	Cap, front wheel hub	2	124TA1521				
29	Piston, lift cylinder pallet truck	1	124TA2628				
30	Wiper ring (rubber)	1	124TA2123				
31	Lip seal	1	124TA2629				



FK 2000 (1/09/1992-31/10/2004)

MAIN FRAME BULLI FK 2000 (1/09/1992-31/10/2004)





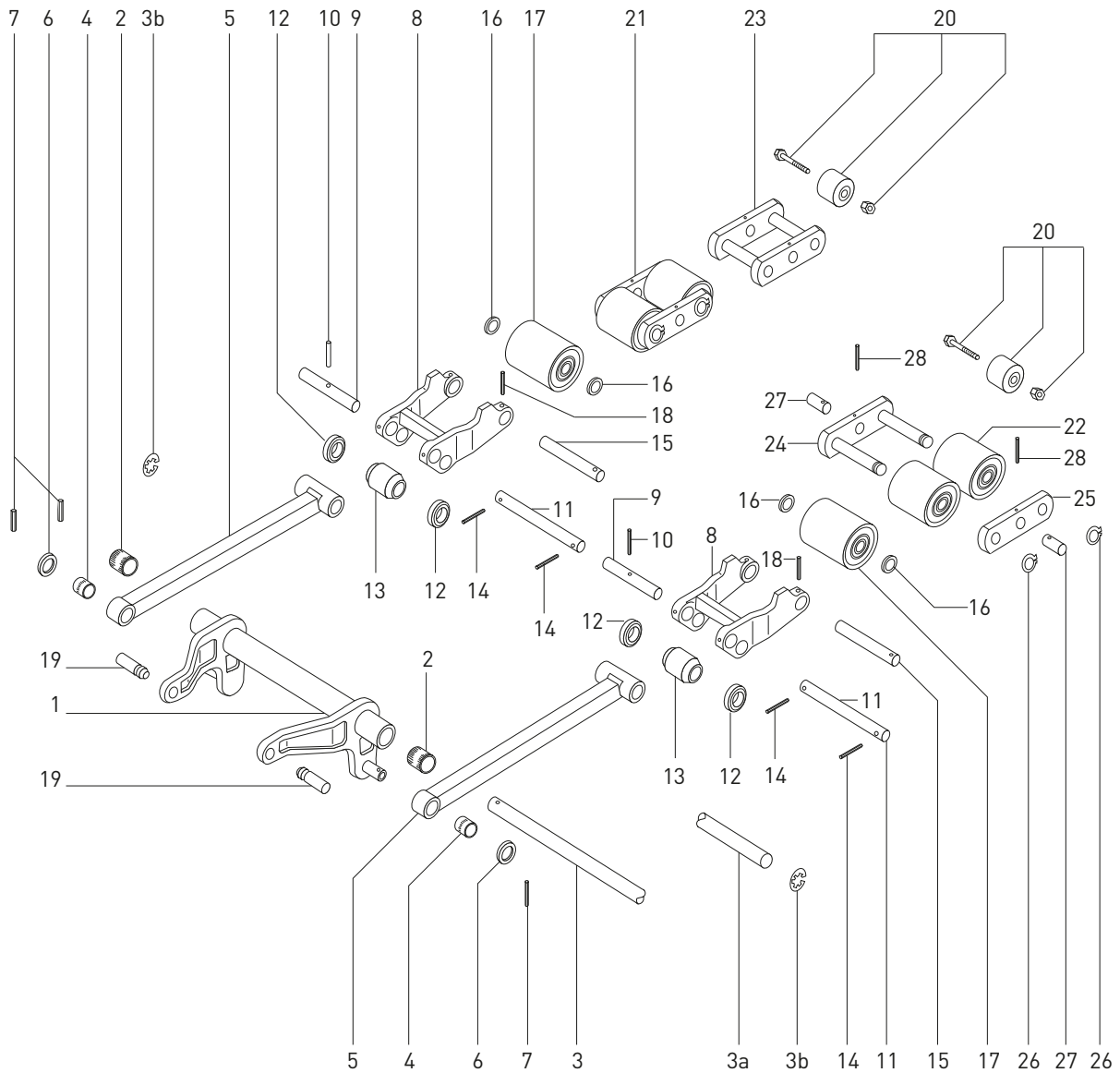
MAIN FRAME BULLI FK 2000 (1/09/1992-31/10/2004)

Nr	Description	Qty	REF	Nr	Description	Qty	REF
1A	Torsion tube	1	<u>124TA1555</u>	19	Shaft, torsion tube to thrust plate	2	<u>124TA1582</u>
1B	Torsion tube	1	<u>124TA2130</u>	20	Entry roller assembly	2	<u>124TA1583</u>
1C	Torsion tube	1	<u>124TA1557</u>	21A	Carrier complete, load wheel (nylon) (without fork wheel)	2	<u>124TA1584</u>
1D	Torsion tube	1	<u>124TA1558</u>	21B	Carrier complete, load wheel (polyurethane) (without fork wheel)	2	<u>124TA1585</u>
2	Bushing, torsion tube pivot	2	<u>124TA1559</u>	21C	Carrier complete, load wheel (Vulkollan®) (without fork wheel)	2	<u>124TA1587</u>
3A	Shaft pivot, torsion tube	1	<u>124TA1560</u>	21D	Carrier complete, load wheel (steel) (without fork wheel)	2	<u>124TA1586</u>
3B	Shaft pivot, torsion tube	1	<u>124TA2132</u>	22A	Wheel assembly, load (nylon) (tandem)	4	<u>124TA1588</u>
3C	Shaft pivot, torsion tube	1	<u>124TA1562</u>	22B	Wheel assembly, load (polyurethane) (nylon rim) (tandem)	4	<u>124TA1589</u>
3D	Shaft pivot, torsion tube	1	<u>124TA1563</u>	22C	Wheel assembly, load	4	<u>124TA1591</u>
4	Bushing, push/pull rod non fork end	2	<u>124TA1564</u>	22D	Wheel assembly, load (steel) (tandem)	4	<u>124TA1590</u>
5A	Push/pull rod assembly, lift structure	2	<u>124TA5579</u>	23	Fork, load wheel	2	<u>124TA1592</u>
5B	Push/pull rod assembly, lift structure	2	<u>124TA1565</u>	24	Fork, load wheel	2	<u>124TA1593</u>
5C	Push/pull rod assembly, lift structure	2	<u>124TA1566</u>	25	Fork, load wheel	2	<u>124TA1594</u>
5D	Push/pull rod assembly, lift structure	2	<u>124TA1567</u>	26	Circlip	4	<u>124TA1595</u>
5E	Push/pull rod assembly, lift structure	2	<u>124TA1568</u>	27	Shaft, center, fork load wheel	4	<u>124TA1596</u>
5F	Push/pull rod assembly, lift structure	2	<u>124TA5580</u>	28	Elastic pin (center shaft) (tandem)	4	<u>124TA1597</u>
5G	Push/pull rod assembly, lift structure	2	<u>124TA2133</u>				
6	Shim (thickness: 4,2 mm)	2	<u>124TA1569</u>				
7	Elastic pin (tie bar)	4	<u>124TA1510</u>				
8	Fork, bracket load wheel	2	<u>124TA1570</u>				
9	Shaft, push/pull rod fork end	2	<u>124TA1571</u>				
10	Elastic pin (tie bar)	2	<u>124TA1510</u>				
11A	Shaft, fork load wheel bracket to chassis	2	<u>124TA1572</u>				
11B	Axle, exit roller	2	<u>124TA1572</u>				
12	Wheel, exit roller (nylon) (intermediate)	4	<u>124TA1573</u>				
13	Wheel, exit roller	2	<u>124TA1574</u>				
14	Elastic pin (wheel fork)	4	<u>124TA1510</u>				
15	Shaft/bolt load wheel	2	<u>124TA1575</u>				
16	Shim (plastic) (thickness: 1,1 mm)	4	<u>124TA1576</u>				
17A	Wheel assembly, load (nylon) (single)	2	<u>124TA1578</u>				
17B	Wheel assembly, load (Vulkollan®) (single)	2	<u>124TA1581</u>				
17C	Wheel assembly, load	2	<u>124TA2134</u>				
17D	Wheel assembly, load	2	<u>124TA1580</u>				
18	Elastic pin (wheel fork)	4	<u>124TA1510</u>				



FK 2500/3000 (1/09/1992-31/10/2004)

MAIN FRAME BULLI FK 2500/3000 (1/09/1992-31/10/2004)





MAIN FRAME BULLI FK 2500/3000 (1/09/1992–31/10/2004)

Nr	Description	Qty	REF
1A	Torsion tube	1	124TA1555
1B	Torsion tube	1	124TA2140
1C	Torsion tube	1	124TA2141
1D	Torsion tube	1	124TA2131
2	Bushing, torsion tube pivot	2	124TA1559
3A	Shaft pivot, torsion tube	1	124TA1560
3B	Shaft pivot, torsion tube	1	124TA2132
3C	Shaft pivot, torsion tube	1	124TA1562
3D	Shaft pivot, torsion tube	1	124TA1563
4	Bushing, push/pull rod non fork end	2	124TA1564
5A	Push/pull rod assembly, lift structure	2	124TA1565
5B	Push/pull rod assembly, lift structure	2	124TA1566
5C	Push/pull rod assembly, lift structure	2	124TA1567
5D	Push/pull rod assembly, lift structure	2	124TA1568
6	Shim (thickness: 4,2 mm)	2	124TA1569
7	Elastic pin (tie bar)	4	124TA1510
8	Fork, bracket load wheel	2	124TA1570
9	Shaft, push/pull rod fork end	2	124TA1571
10	Elastic pin (tie bar)	2	124TA1510
11	Axle, exit roller	2	124TA1572
11	Shaft, fork load wheel bracket to chassis	2	124TA1572
12	Wheel, exit roller (nylon) (intermediate)	4	124TA1573
13	Wheel, exit roller	2	124TA1574
14	Elastic pin (wheel fork)	4	124TA1510
15	Shaft/bolt load wheel	2	124TA1575
16A	Shim (plastic) (thickness: 1,1 mm)	4	124TA1576
16B	Shim (nylon) (thickness: 2 mm)	4	124TA1577
17A	Wheel assembly, load (nylon) (single)	2	124TA1578
17B	Wheel assembly, load	2	124TA1580
17C	Wheel assembly, load (Vulkollan®) (single)	2	124TA1581
17D	Wheel assembly, load	2	124TA2134
18	Elastic pin (wheel fork)	4	124TA1510
19	Shaft, torsion tube to thrust plate	2	124TA1582
20	Entry roller assembly	2	124TA1583

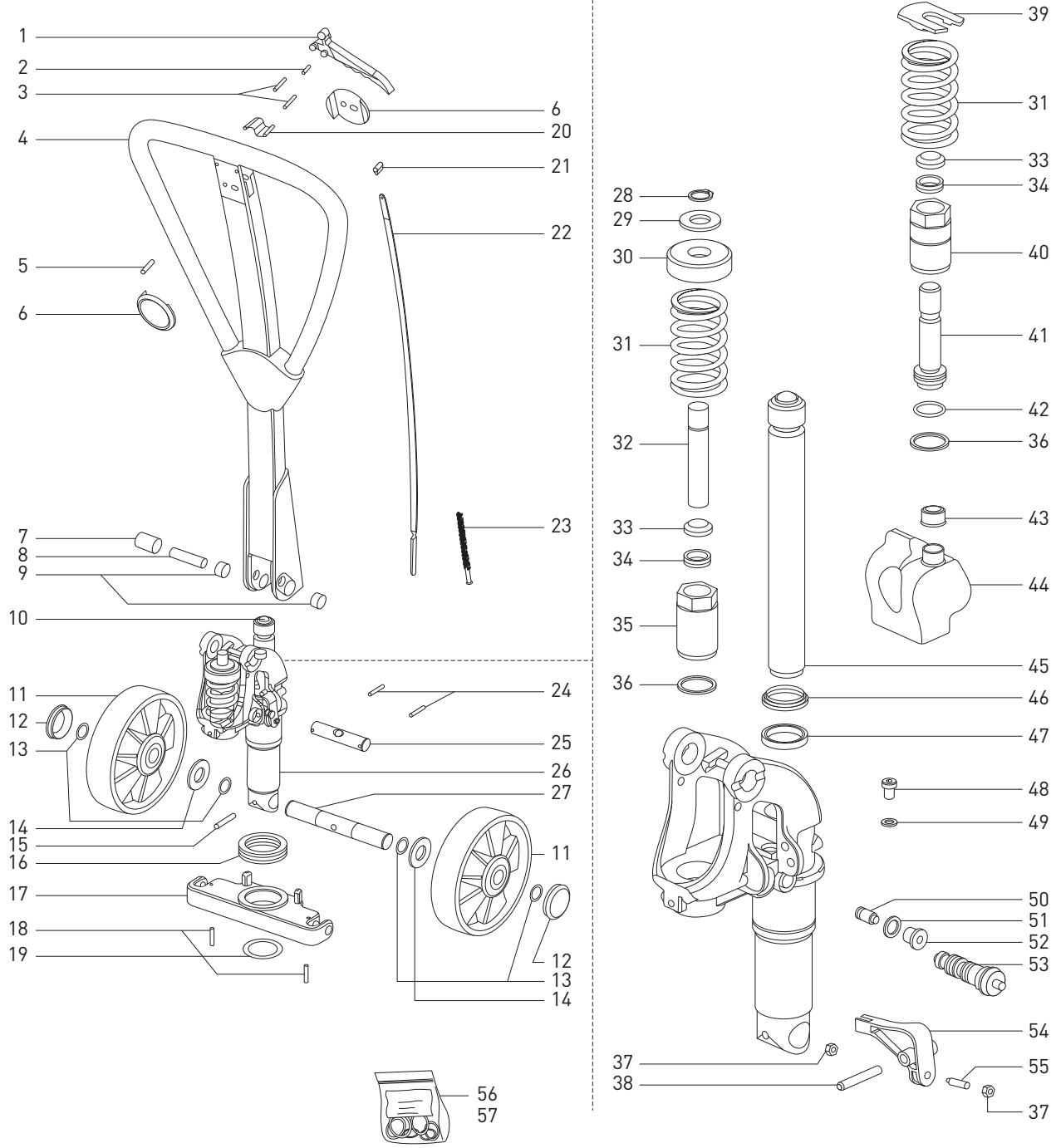
Nr	Description	Qty	REF
21A	Carrier complete, load wheel (nylon)	2	124TA1584
21B	Carrier complete, load wheel (polyurethane)	2	124TA1585
21C	Carrier complete, load wheel (steel)	2	124TA1586
21D	Carrier complete, load wheel (Vulkollan®)	2	124TA1587
22A	Wheel assembly, load (nylon) (tandem)	4	124TA1588
22B	Wheel assembly, load (polyurethane) (nylon rim) (tandem)	4	124TA1589
22C	Wheel assembly, load (steel) (tandem)	4	124TA1590
22D	Wheel assembly, load	4	124TA1591
23	Fork, load wheel	2	124TA1592
24	Fork, load wheel	2	124TA1593
25	Fork, load wheel	2	124TA1594
26	Circlip	4	124TA1595
27	Shaft, center, fork load wheel	4	124TA1596
28	Elastic pin (center shaft) (tandem)	4	124TA1597

FK 2500/3000 (1/09/1992–31/10/2004)



FK 2300 (1/11/2004-)

HYDRAULIC UNIT BULLI FK 2300 (1/11/2004-)





HYDRAULIC UNIT BULLI FK 2300 (1/11/2004-)

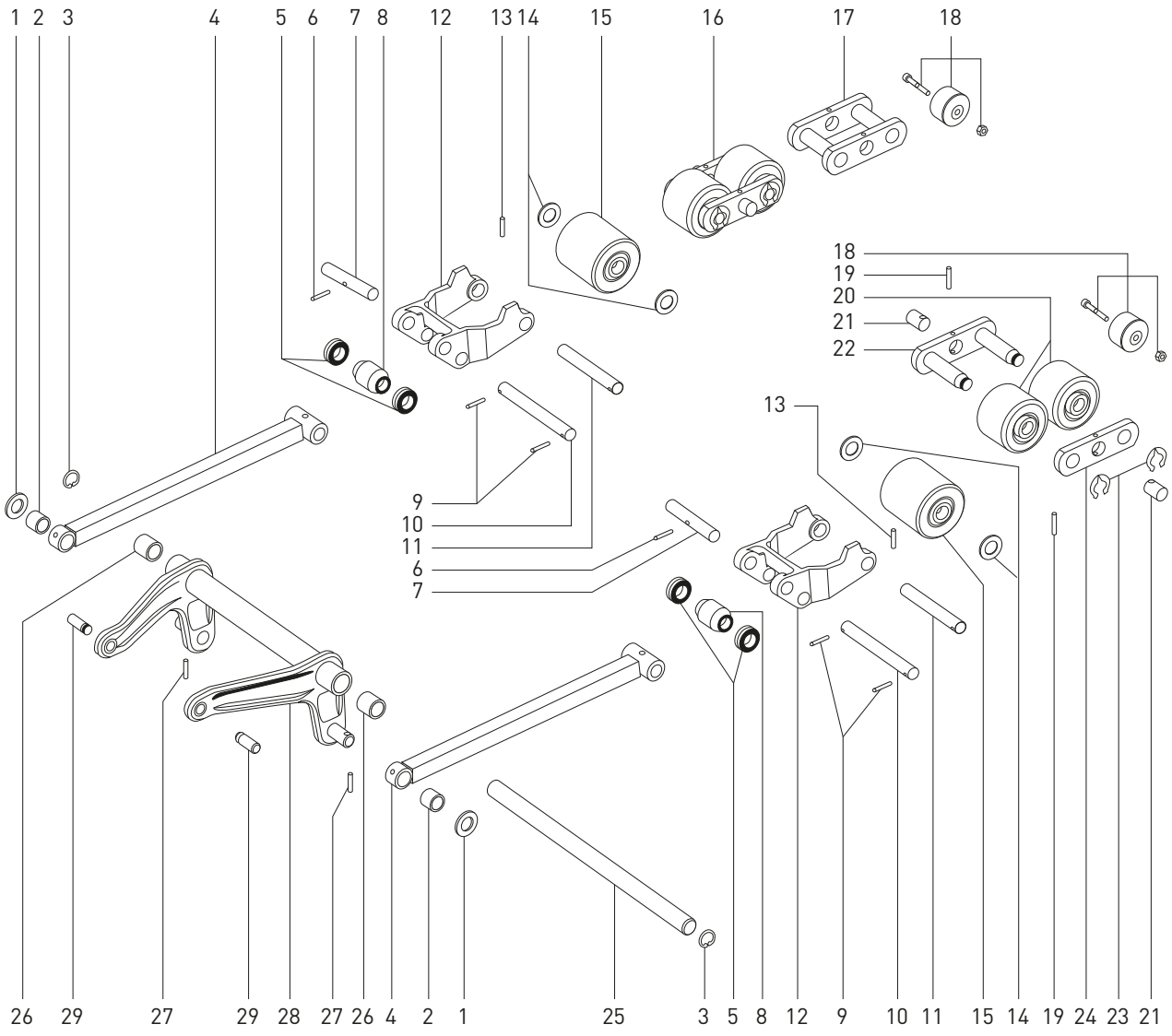
Nr	Description	Qty	REF
1	Lever lowering, tiller	1	124TA5589
2	Elastic pin	1	124TA1492
3	Elastic pin	2	124TA1494
4	Bracket, tiller arm	1	124TA5592
5	Elastic pin	1	124TA1496
6	Cap (with logo)	1	124TA9112
7	Roller, control handle pump	1	124TA1500
8	Pin, control handle pump roller	1	124TA1499
9	Bushing, handle pivot	2	124TA2120
10	Steel ball, lift cylinder piston pallet truck	1	124TA1505
11A	Wheel assembly, steer	2	124TA2122
11B	Wheel assembly, steer (polyurethane)	2	124TA1512
11C	Wheel assembly, steer (nylon)	2	124TA1513
11D	Wheel assembly, steer	2	124TA1514
11E	Wheel assembly, steer	2	124TA5603
12A	Wheel assembly, steer	2	124TA1519
12B	Cap, front wheel hub	2	124TA1520
12C	Cap, front wheel hub	2	124TA1519
12D	Cap, front wheel hub	2	124TA1521
13	Circlip	4	124TA1516
14	Shim (thickness: 1 mm)	2	124TA1517
15	Elastic pin	1	124TA1518
16	Bearing, hydraulic unit pivot	1	124TA1507
17	Thrust plate, hydraulic pump unit mounting	1	124TA5608
18	Elastic pin	2	124TA1510
19	Circlip	1	124TA1509
20	Spring, lever	1	124TA1493
21	Stop (rubber)	1	124TA1495
22	Lowering rod	1	124TA5609
23	Chain, hydraulic unit	1	124TA5610
24	Elastic pin	2	124TA1597
25	Shaft, handle pivot	1	124TA2119
26	Hydraulic unit	1	124TA5617
27	Shaft, steer wheel	1	124TA1515
28	Circlip	1	124TA5612
29	Lip seal	1	124TA5613
30	Cap, control handle pivot return spring	1	124TA2125
31	Spring, control handle return torsion	2	124TA5614
32	Piston, hydraulic pump unit	1	124TA5615

Nr	Description	Qty	REF
33	Wiper ring (rubber)	2	124TA2632
34	Lip seal	2	124TA6892
35	Body, hydraulic pump unit piston	1	124TA5590
36	O-ring	2	124TA5591
37	Nut	2	124TA2643
38	Elastic pin	1	124TA2127
39	Plate, retaining	1	124TA5593
40	Body, hydraulic pump unit piston	1	124TA5594
41	Piston, hydraulic pump unit	1	124TA5595
42	O-ring	1	124TA5596
43	Cap, filler	1	124TA5597
44	Tank, hydraulic oil	1	124TA5598
45	Piston, lift cylinder pallet truck	1	124TA5599
46	Wiper ring (polyurethane)	1	124TA5600
47	Lip seal	1	124TA2629
48	Screw	1	124TA5602
49	Bonded seal	1	124TA5604
50	Valve release, hydraulic unit	1	124TA5616
51	Sealing ring (copper)	1	124TA2638
52	Screw	1	124TA2637
53	Valve release, hydraulic unit	1	124TA2641
54	Lever lift control	1	124TA5605
55	Bolt	1	124TA6891
56	Kit seal, hydraulic unit	1	124TA5606
57	Kit seal, hydraulic unit (quicklift)	1	124TA5607



FK 2300 (1/11/2004-)

MAIN FRAME BULLI FK 2300 (1/11/2004-)





MAIN FRAME BULLI FK 2300 (1/11/2004-)

Nr	Description	Qty	REF
1	Shim (thickness: 4,2 mm)	2	124TA1569
2	Bushing, push/pull rod non fork end	2	124TA1564
3	Circlip	2	124TA5578
4A	Push/pull rod assembly, lift structure	2	124TA5579
4B	Push/pull rod assembly, lift structure	2	124TA1565
4C	Push/pull rod assembly, lift structure	2	124TA1566
4D	Push/pull rod assembly, lift structure	2	124TA1567
4E	Push/pull rod assembly, lift structure	2	124TA1568
4F	Push/pull rod assembly, lift structure	2	124TA5580
4G	Push/pull rod assembly, lift structure	2	124TA2133
5	Wheel, exit roller (nylon) (intermediate)	4	124TA1573
6	Elastic pin	2	124TA1510
7	Shaft, push/pull rod fork end	2	124TA1571
8	Wheel, exit roller	2	124TA1574
9	Elastic pin	4	124TA1510
10	Axle, exit roller	2	124TA1572
10	Shaft, fork load wheel bracket to chassis	2	124TA1572
11	Shaft/bolt load wheel	2	124TA1575
12	Fork, bracket load wheel	2	124TA1570
13	Elastic pin	2	124TA1510
14	Shim (plastic) (thickness: 1,1 mm)	4	124TA1576
15A	Wheel assembly, load (nylon) (single)	2	124TA1578
15B	Wheel assembly, load (Vulkollan®) (single)	2	124TA1581
15C	Wheel assembly, load	2	124TA2134
15D	Wheel assembly, load	2	124TA1580
16A	Carrier complete, load wheel (nylon) (tandem)	2	124TA1584
16B	Carrier complete, load wheel (polyurethane) (tandem)	2	124TA1585
16C	Carrier complete, load wheel (Vulkollan®) (tandem)	2	124TA1587
16D	Carrier complete, load wheel (steel) (tandem)	2	124TA1586
17	Fork, load wheel	2	124TA1592
18	Entry roller assembly	2	124TA1583
19	Elastic pin	2	124TA1597

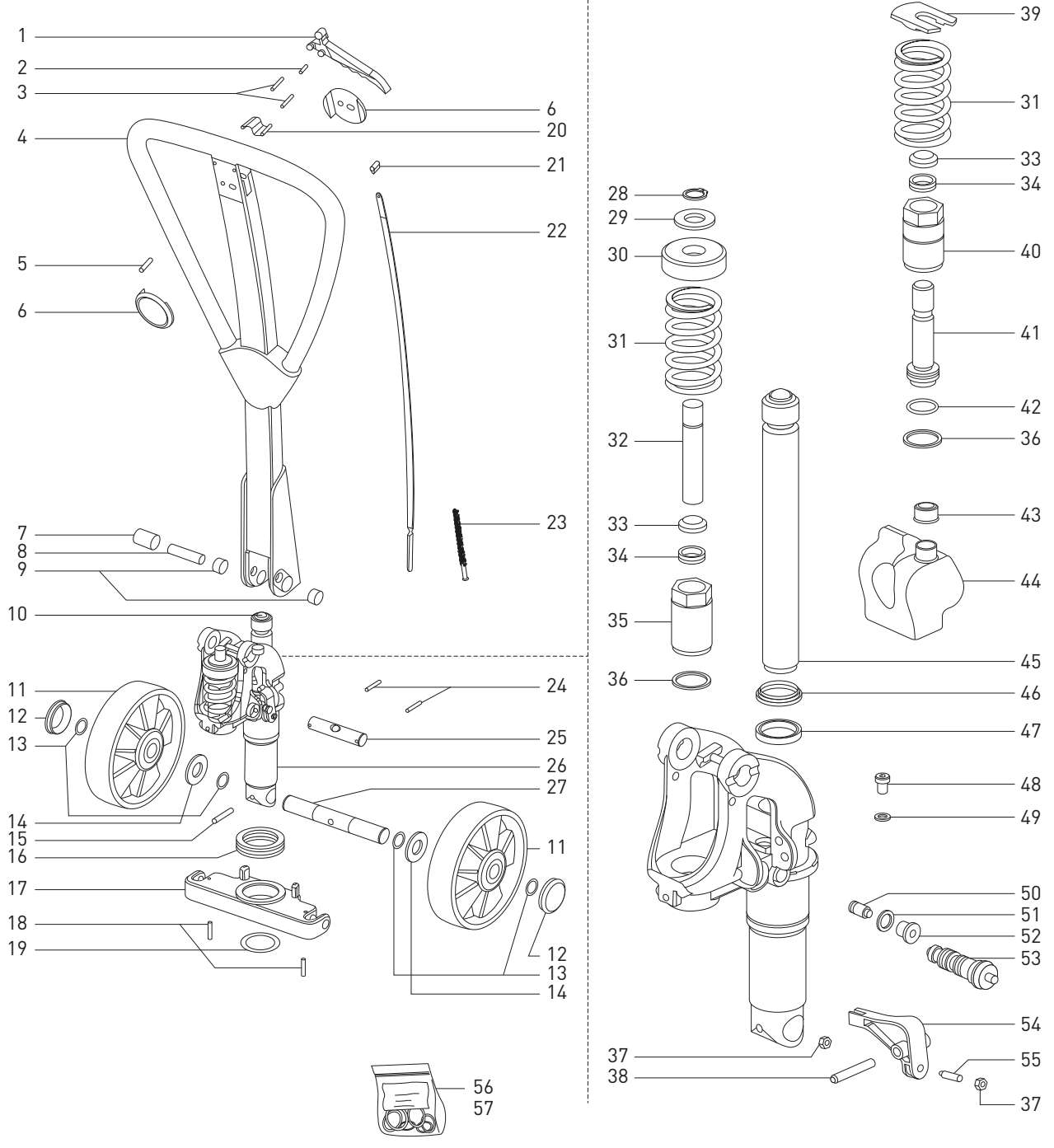
Nr	Description	Qty	REF
20A	Wheel assembly, load (nylon) (tandem)	4	124TA1588
20B	Wheel assembly, load (polyurethane) (nylon rim) (tandem)	4	124TA1589
20C	Wheel assembly, load	4	124TA1591
20D	Wheel assembly, load (steel) (tandem)	4	124TA1590
21	Shaft, center, fork load wheel	4	124TA1596
22	Fork, load wheel	2	124TA1593
23	Circlip	4	124TA1595
24	Fork, load wheel	2	124TA1594
25A	Shaft pivot, torsion tube	1	124TA5581
25B	Shaft pivot, torsion tube	1	124TA5582
25C	Shaft pivot, torsion tube	1	124TA5583
26	Bushing, torsion tube pivot	2	124TA5584
27	Elastic pin	2	124TA1510
28A	Torsion tube	1	124TA5585
28B	Torsion tube	1	124TA5588
28C	Torsion tube	1	124TA5587
29	Shaft, torsion tube to thrust plate	2	124TA1582

FK 2300 (1/11/2004-)



FK 3000 (1/11/2004-)

HYDRAULIC UNIT BULLI FK 3000 (1/11/2004-)





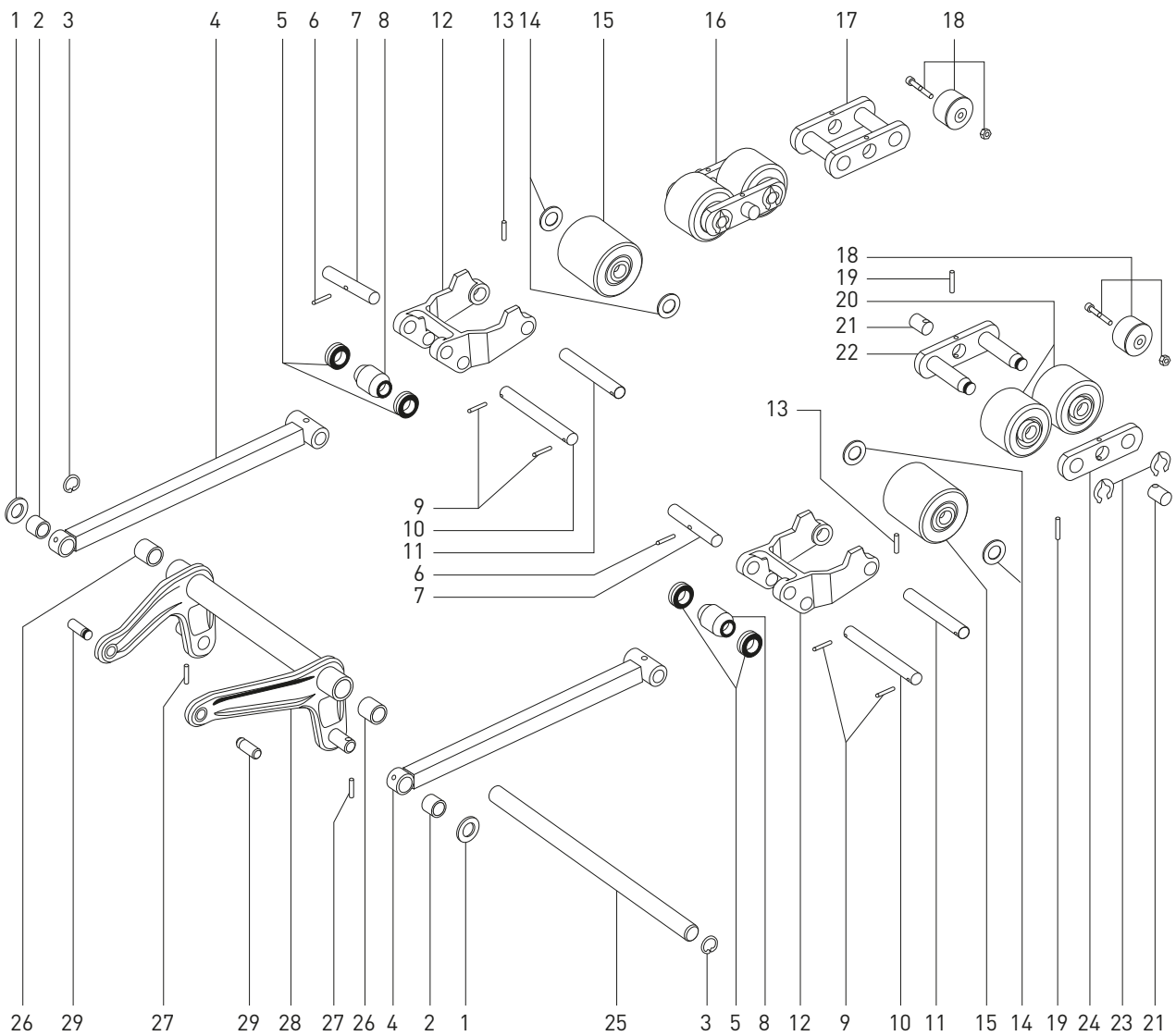
HYDRAULIC UNIT BULLI FK 3000 (1/11/2004-)

Nr	Description	Qty	REF	Nr	Description	Qty	REF
1	Lever lowering, tiller	1	124TA5589	32	Piston, hydraulic pump unit	1	124TA5615
2	Elastic pin	1	124TA1492	33	Wiper ring (rubber)	2	124TA2632
3	Elastic pin	2	124TA1494	34	Lip seal	2	124TA6892
4	Bracket, tiller arm	1	124TA5592	35	Body, hydraulic pump unit piston	1	124TA5590
5	Elastic pin	1	124TA1496	36	O-ring	2	124TA5591
6	Cap (with logo)	1	124TA9112	37	Nut	2	124TA2643
7	Roller, control handle pump	1	124TA1500	38	Elastic pin	1	124TA2127
8	Pin, control handle pump roller	1	124TA1499	39	Plate, retaining	1	124TA5593
9	Bushing, handle pivot	2	124TA2120	40	Body, hydraulic pump unit piston	1	124TA5594
10	Steel ball, lift cylinder piston pallet truck	1	124TA1505	41	Piston, hydraulic pump unit	1	124TA5595
11A	Wheel assembly, steer (rubber)	2	124TA1549	42	O-ring	1	124TA5596
11B	Wheel assembly, steer (polyurethane)	2	124TA1512	43	Cap, filler	1	124TA5597
11C	Wheel assembly, steer (nylon)	2	124TA1513	44	Tank, hydraulic oil	1	124TA5598
11D	Wheel assembly, steer	2	124TA5601	45	Piston, lift cylinder pallet truck	1	124TA5599
11E	Wheel assembly, steer	2	124TA5603	46	Wiper ring (polyurethane)	1	124TA5600
12A	Cap, front wheel hub	2	124TA1550	47	Lip seal	1	124TA2629
12B	Cap, front wheel hub	2	124TA1520	48	Screw	1	124TA5602
12C	Cap, front wheel hub	2	124TA1519	49	Bonded seal	1	124TA5604
12D	Cap, front wheel hub	2	124TA1519	50	Valve release, hydraulic unit	1	124TA2650
13	Circlip	4	124TA1516	51	Sealing ring (copper)	1	124TA2638
14	Shim (thickness: 1 mm)	2	124TA1517	52	Screw	1	124TA2637
15	Elastic pin	1	124TA1518	53	Valve release, hydraulic unit	1	124TA2641
16	Bearing, hydraulic unit pivot	1	124TA1507	54	Lever lift control	1	124TA5605
17	Thrust plate, hydraulic pump unit mounting	1	124TA5608	55	Bolt	1	124TA6891
18	Elastic pin	2	124TA1510	56	Kit seal, hydraulic unit	1	124TA5606
19	Circlip	1	124TA1509	57	Kit seal, hydraulic unit	1	124TA5607
20	Spring, lever	1	124TA1493				
21	Stop (rubber)	1	124TA1495				
22	Lowering rod	1	124TA5609				
23	Chain, hydraulic unit	1	124TA5610				
24	Elastic pin	2	124TA1597				
25	Shaft, handle pivot	1	124TA2119				
26	Hydraulic unit	1	124TA5611				
27	Shaft, steer wheel	1	124TA1515				
28	Circlip	1	124TA5612				
29	Lip seal	1	124TA5613				
30	Cap, control handle pivot return spring	1	124TA2125				
31	Spring, control handle return torsion	2	124TA5614				



FK 3000 (1/11/2004-)

MAIN FRAME BULLI FK 3000 (1/11/2004-)



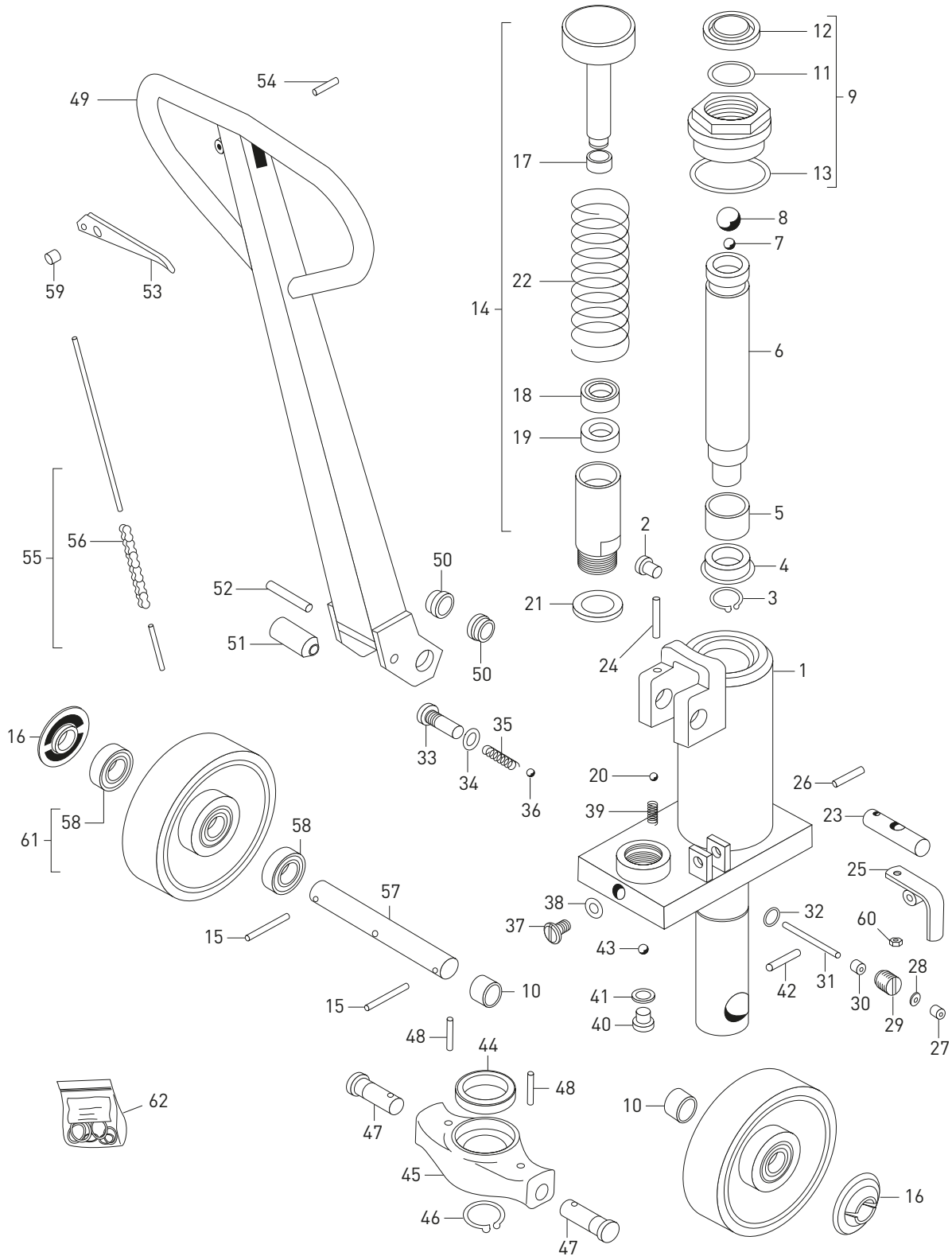


MAIN FRAME BULLI FK 3000 (1/11/2004-)

Nr	Description	Qty	REF	Nr	Description	Qty	REF
1	Shim (thickness: 4,2 mm)	2	124TA1569	20A	Wheel assembly, load (nylon) (tandem)	4	124TA1588
2	Bushing, push/pull rod non fork end	2	124TA1564	20B	Wheel assembly, load (polyurethane) (nylon rim) (tandem)	4	124TA1589
3	Circlip	2	124TA5578	20C	Wheel assembly, load	4	124TA1591
4A	Push/pull rod assembly, lift structure	2	124TA5579	20D	Wheel assembly, load (steel) (tandem)	4	124TA1590
4B	Push/pull rod assembly, lift structure	2	124TA1565	21	Shaft, center, fork load wheel	4	124TA1596
4C	Push/pull rod assembly, lift structure	2	124TA1566	22	Fork, load wheel	2	124TA1593
4D	Push/pull rod assembly, lift structure	2	124TA1567	23	Circlip	4	124TA1595
4E	Push/pull rod assembly, lift structure	2	124TA1568	24	Fork, load wheel	2	124TA1594
4F	Push/pull rod assembly, lift structure	2	124TA5580	25A	Shaft pivot, torsion tube	1	124TA5581
4G	Push/pull rod assembly, lift structure	2	124TA2133	25B	Shaft pivot, torsion tube	1	124TA5582
5	Wheel, exit roller (nylon) (intermediate)	4	124TA1573	25C	Shaft pivot, torsion tube	1	124TA5583
6	Elastic pin	2	124TA1510	26	Bushing, torsion tube pivot	2	124TA5584
7	Shaft, push/pull rod fork end	2	124TA1571	27	Elastic pin	2	124TA1510
8	Wheel, exit roller	2	124TA1574	28A	Torsion tube	1	124TA5585
9	Elastic pin	4	124TA1510	28B	Torsion tube	1	124TA5586
10	Axle, exit roller	2	124TA1572	28C	Torsion tube	1	124TA5587
10	Shaft, fork load wheel bracket to chassis	2	124TA1572	29	Shaft, torsion tube to thrust plate	2	124TA1582
11	Shaft/bolt load wheel	2	124TA1575				
12	Fork, bracket load wheel	2	124TA1570				
13	Elastic pin	2	124TA1510				
14	Shim (plastic) (thickness: 1,1 mm)	4	124TA1576				
15A	Wheel assembly, load (nylon) (single)	2	124TA1578				
15B	Wheel assembly, load (Vulkollan®) (single)	2	124TA1581				
15C	Wheel assembly, load	2	124TA2134				
15D	Wheel assembly, load	2	124TA1580				
16A	Carrier complete, load wheel (nylon) (tandem)	2	124TA1584				
16B	Carrier complete, load wheel (polyurethane) (tandem)	2	124TA1585				
16C	Carrier complete, load wheel (Vulkollan®) (tandem)	2	124TA1587				
16D	Carrier complete, load wheel (steel) (tandem)	2	124TA1586				
17	Fork, load wheel	2	124TA1592				
18	Entry roller assembly	2	124TA1583				
19	Elastic pin	2	124TA1597				



HYDRAULIC UNIT BV VESTERGAARD 115



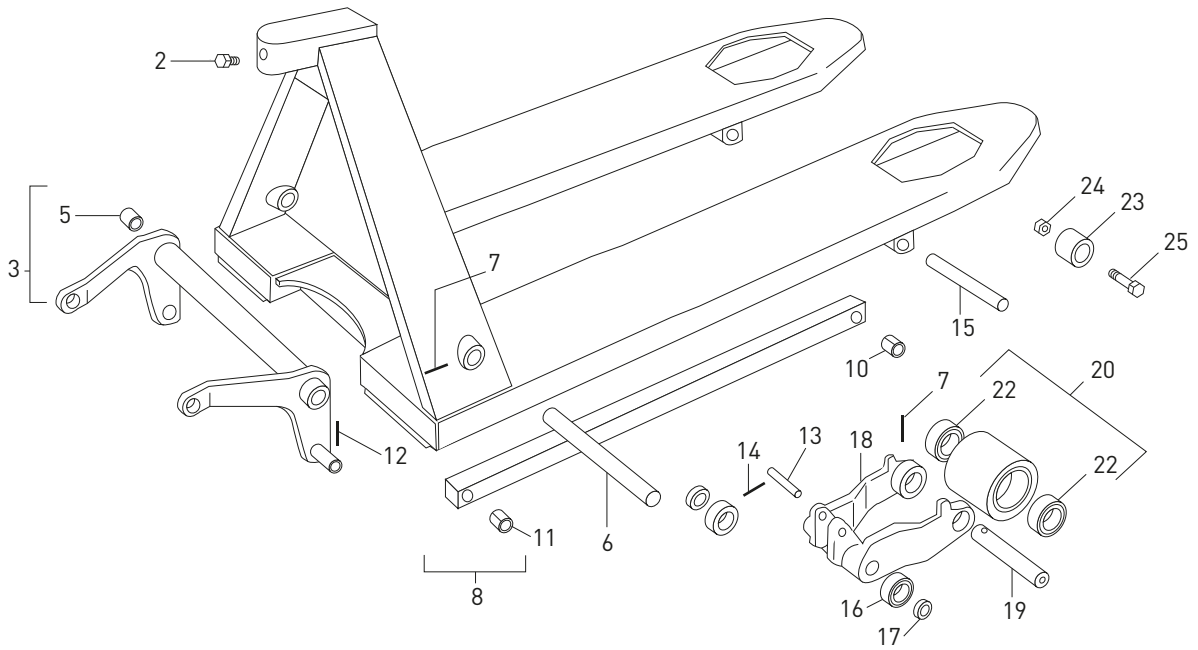


HYDRAULIC UNIT BV VESTERGAARD 115

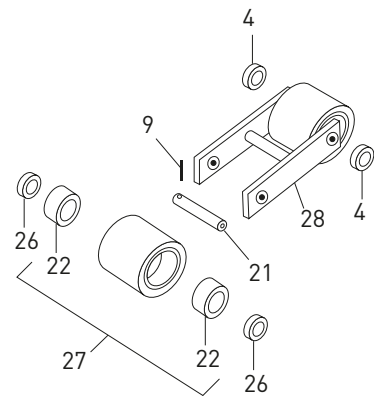
Nr	Description	Qty	REF	Nr	Description	Qty	REF
1	Hydraulic unit	1	123TA6765	41	Bonded seal	1	120TA9959
2	Cap, rubber	1	120TA9931	42	Elastic pin	1	120TA9993
3	Circlip	1	120TA9932	43	Steel ball	1	120TA9963
4	Lip seal	1	120TA9933	44	Bearing, hydraulic unit pivot	1	123TA6776
5	Bushing	1	120TA9934	45	Thrust plate, hydraulic pump unit mounting	1	105TA4611
6	Piston, lift cylinder pallet truck	1	123TA6766	46	Circlip	1	120TA9971
7	Steel ball	1	120TA9936	47	Axle	2	120TA9972
8	Steel ball	1	120TA9937	48	Elastic pin	2	120TA9973
9	Body, hydraulic pump unit piston	1	123TA6767	49	Bracket, tiller arm	1	123TA6777
10	Bushing	2	105TA2313	50	Bushing, handle pivot	2	120TA9976
11	O-ring	1	120TA9939	51	Roller, control handle pump	1	120TA9977
12	Oil seal	1	123TA6768	52	Pin, control handle pump roller	1	120TA9978
13	O-ring	1	120TA9941	53	Handle, release	1	120TA9979
14	Body, hydraulic pump unit piston	1	105TA4612	54	Elastic pin	1	120TA9980
15	Elastic pin	2	120TA9995	55	Rod complete, lowering	1	120TA9981
16	Cap, front wheel hub	2	120TA9994	56	Chain, hydraulic unit	1	120TA9982
17	Lip seal	1	123TA6769	57	Shaft, steer wheel	1	120TA9992
18	Oil seal	1	120TA9945	58	Ball bearing	4	123TA6782
19	Oil seal	1	123TA6770	59	Nut	1	123TA6778
20	Steel ball	1	120TA9966	60	Nut	1	123TA6779
21	Washer (copper) (thickness: 2 mm)	1	105TA1245	61A	Wheel assembly, steer (polyurethane) (nylon rim)	2	123TA6780
22	Spring, control handle return torsion	1	120TA9947	61B	Wheel assembly, steer (polyurethane)	2	123TA6781
23	Shaft, handle pivot	1	120TA9948	62	Kit seal, hydraulic unit	1	107TA7000
24	Lock pin	1	120TA9949				
25	Lever lift control	1	123TA6771				
26	Elastic pin	1	120TA9951				
27	Bushing (rubber)	1	120TA9952				
28	Washer (thickness: 1,3 mm)	1	120TA9953				
29	Valve screw	1	120TA9954				
30	Lip seal	1	120TA9955				
31	Pin, release	1	123TA6772				
32	O-ring (4,47 x 1,78 mm)	1	120TA9957				
33	Bolt (stepped)	1	120TA9958				
34	Bonded seal	1	120TA9959				
35	Spring	1	120TA9960				
36	Steel ball	1	120TA9961				
37	Screw	1	123TA6773				
38	Bonded seal (10,7 x 16 x 1,5 mm)	1	121TA1100				
39	Spring	1	123TA6774				
40	Bolt (stepped)	1	123TA6775				



MAIN FRAME BV VESTERGAARD 115



TANDEM



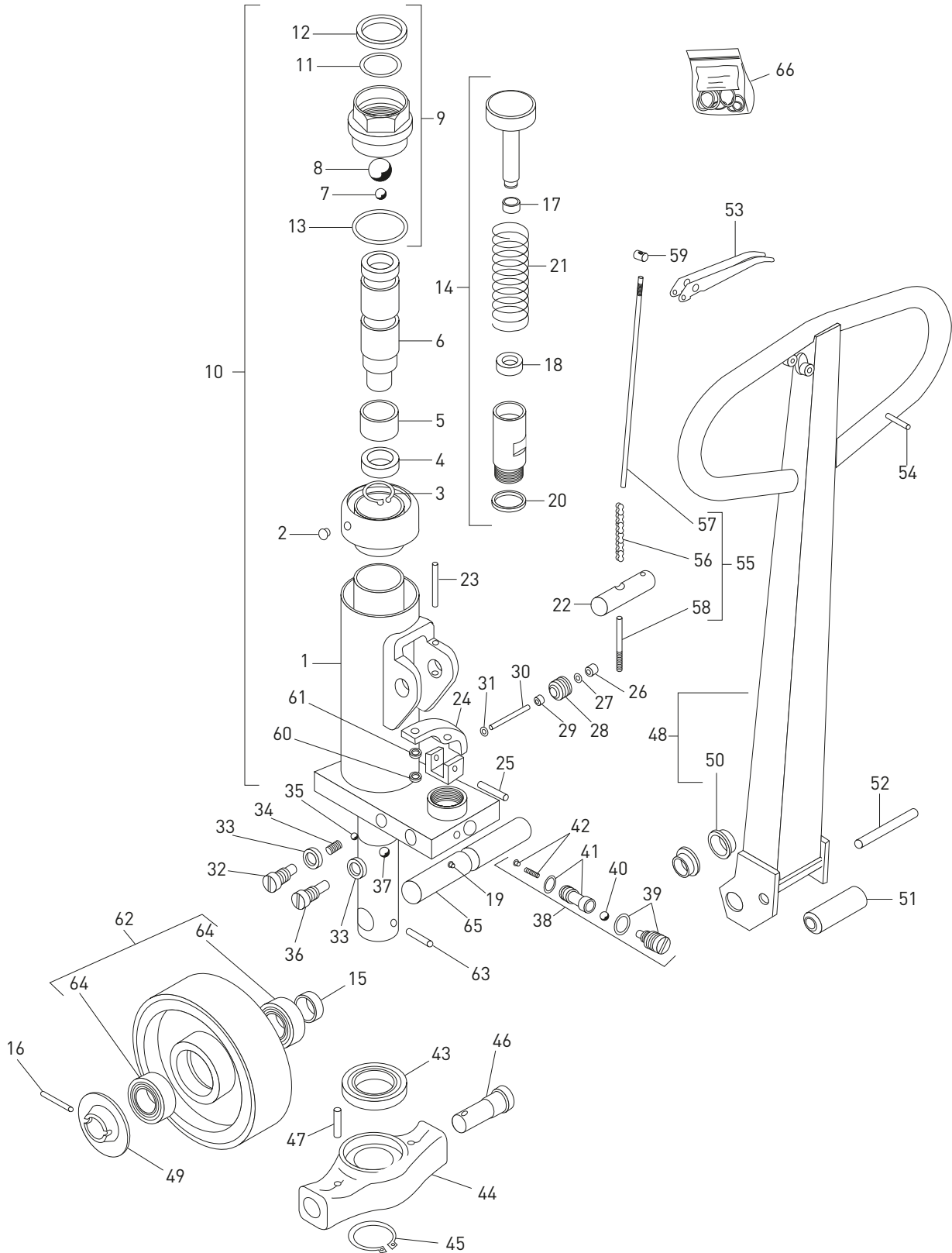


MAIN FRAME BV VESTERGAARD 115

Nr	Description	Qty	REF	Nr	Description	Qty	REF
2	Screw	1	121TA1045	21	Shaft, center, fork load wheel	4	121TA1027
3A	Torsion tube (length: 520 mm) (with bushings)	1	120TA9998	23	Wheel, entry roller	2	121TA1020
3B	Torsion tube (length: 685 mm) (with bushings)	1	121TA1047	24	Nut	2	121TA1021
4	Washer (plastic) (thickness: 2,55 mm)	8	105TA2322	25	Shaft/bolt, entry roller	2	123TA8424
5	Bushing, torsion tube pivot	2	121TA1000	26	Bushing (nylon)	4	121TA1023
6A	Shaft pivot, torsion tube (frame width: 480/520 mm)	1	121TA1001	27A	Wheel assembly, load (nylon) (tandem) (stainless steel bearings)	4	121TA1061
6B	Shaft pivot, torsion tube (frame width: 685 mm)	1	121TA1002	27B	Wheel assembly, load (polyurethane) (nylon rim) (tandem) (with bearings)	4	108TA8543
7	Elastic pin (toothed)	1	147TA3917	28	Fork, load wheel	4	103TA7743
8A	Push/pull rod assembly, lift structure (frame width: 520/685 mm) (fork length: 800 mm)	2	121TA1004				
8B	Push/pull rod assembly, lift structure (frame width: 52/685 mm) (fork length: 950 mm)	2	121TA1005				
8C	Push/pull rod assembly, lift structure (frame width: 520 /685 mm) (fork length: 1130 mm)	2	121TA1006				
8D	Push/pull rod assembly, lift structure (frame width: 480 mm) (fork length: 950 mm)	2	121TA1007				
9	Elastic pin	8	121TA1028				
10	Bushing, push/pull rod fork end	2	121TA1008				
11	Bushing, push/pull rod non fork end	2	121TA1009				
12	Lock pin	2	121TA1010				
13	Shaft, push/pull rod fork end	2	121TA1052				
14	Elastic pin	2	121TA1053				
15	Shaft, fork load wheel bracket to chassis	2	121TA1054				
16	Wheel, exit roller (auxiliary)	4	121TA1013				
17	Sealing ring (aluminium)	4	121TA1055				
18	Fork, bracket load wheel	2	103TA7877				
19A	Shaft, center, fork load wheel (tandem)	2	121TA1016				
19B	Shaft/bolt load wheel (single)	2	121TA1016				
20A	Wheel assembly, load (nylon) (single) (with bearings)	2	107TA2932				
20B	Wheel assembly, load (polyurethane) (nylon rim) (single)	2	121TA1057				



HYDRAULIC UNIT BV VESTERGAARD 115R



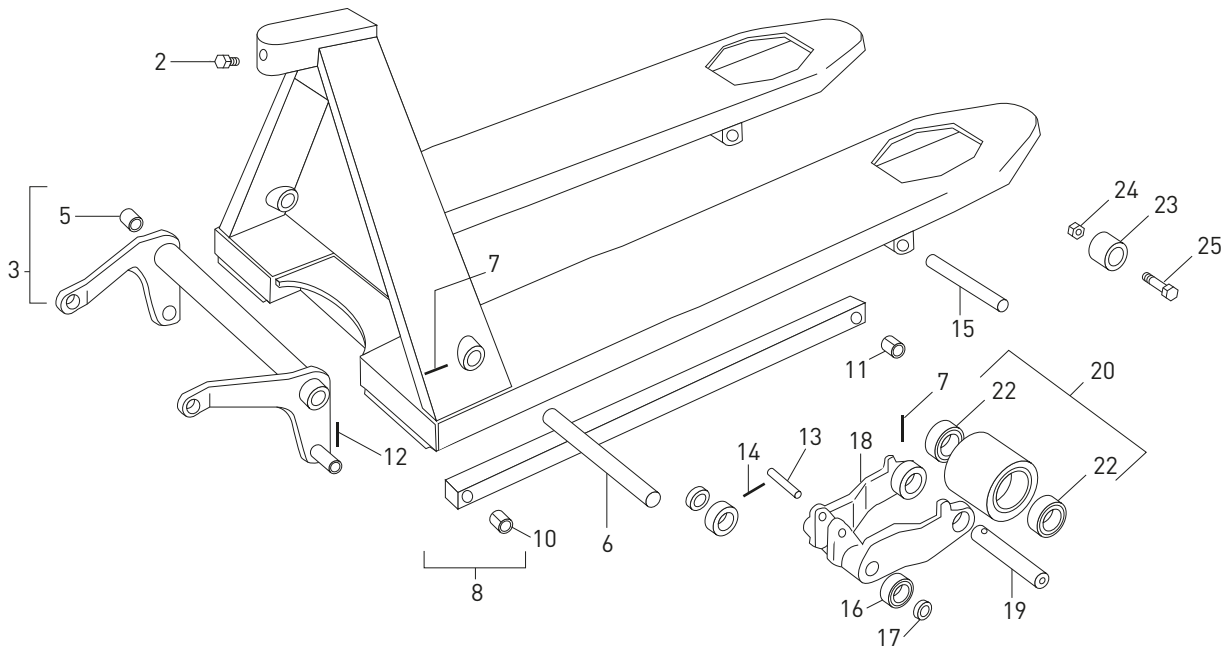


HYDRAULIC UNIT BV VESTERGAARD 115R

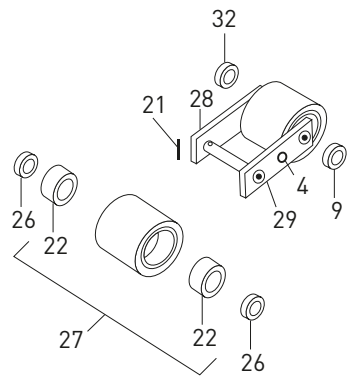
Nr	Description	Qty	REF	Nr	Description	Qty	REF
1	Pump housing	1	123TA8532	41	O-ring	2	120TA9967
2	Cap, rubber	1	120TA9931	42	Seat, spring (with spring)	1	120TA9968
3	Circlip	1	120TA9932	43	Bearing, hydraulic unit pivot	1	123TA6776
4	Lip seal	1	120TA9933	44	Thrust plate, hydraulic pump unit mounting	1	123TA8534
5	Bushing	1	120TA9934	45	Circlip	1	121TA1080
6	Piston, lift cylinder pallet truck	1	121TA1067	46	Axle	2	121TA1081
7	Steel ball	1	120TA9936	47	Lock pin	2	121TA1082
8	Steel ball	1	120TA9937	48	Handle assembly	1	121TA1083
9	Body, hydraulic pump unit piston	1	121TA1068	49	Cap, front wheel hub	2	120TA9994
10	Hydraulic unit	1	123TA8533	50	Bushing, handle pivot	2	105TA1847
11	O-ring	1	120TA9939	51	Roller, control handle pump	1	120TA9977
12	Wiper ring (rubber)	1	120TA9940	52	Lock pin	1	121TA1085
13	O-ring	1	120TA9941	53	Lever lowering, tiller	1	121TA1086
14	Cylinder, pump (complete with pump piston)	1	121TA1069	54	Elastic pin	1	121TA1053
15	Bushing	2	105TA2313	55	Rod complete, lowering	1	121TA1087
16	Lock pin	2	121TA1099	56	Chain, hydraulic unit	1	121TA1088
17	Lip seal	1	120TA9944	57	Rod complete, lowering (threaded)	1	121TA1089
18	Oil seal	1	120TA9945	58	Rod complete, lowering (threaded)	1	121TA1090
19	Shaft, steer wheel	1	120TA9946	59	Nut	1	121TA1091
20	Washer (copper) (thickness: 2 mm)	1	105TA1245	60	Nut	1	123TA8535
21	Spring, control handle return torsion	1	121TA1070	61	Washer (thickness: 1,5 mm)	1	121TA1093
22	Shaft, handle pivot	1	121TA1071	62A	Wheel assembly, steer (polyurethane) (nylon rim)	2	107TA3104
23	Lock pin	1	121TA1072	62B	Wheel assembly, steer (nylon)	2	120TA9988
24	Lever lift control	1	123TA6771	63	Lock pin	1	121TA1098
25	Lock pin	1	121TA1074	64	Ball bearing	4	121TA1096
26	Bushing (rubber)	1	120TA9952	65	Fork, bracket load wheel	1	121TA1097
27	Washer (thickness: 4,5 mm)	1	121TA1075	66	Kit seal, hydraulic unit	1	107TA7001
28	Valve screw	1	120TA9954				
29	Lip seal	1	120TA9955				
30	Pin, release	1	120TA9956				
31	O-ring (4,47 x 1,78 mm)	1	120TA9957				
32	Bolt (stepped)	1	121TA1076				
33	Bonded seal	2	120TA9959				
34	Spring	1	120TA9960				
35	Steel ball	1	120TA9961				
36	Bolt	1	121TA1077				
37	Steel ball	1	120TA9963				
38	Valve release, hydraulic unit	1	121TA1078				
39	O-ring	2	120TA9965				
40	Steel ball	1	120TA9966				



MAIN FRAME BV VESTERGAARD 115R



TANDEM



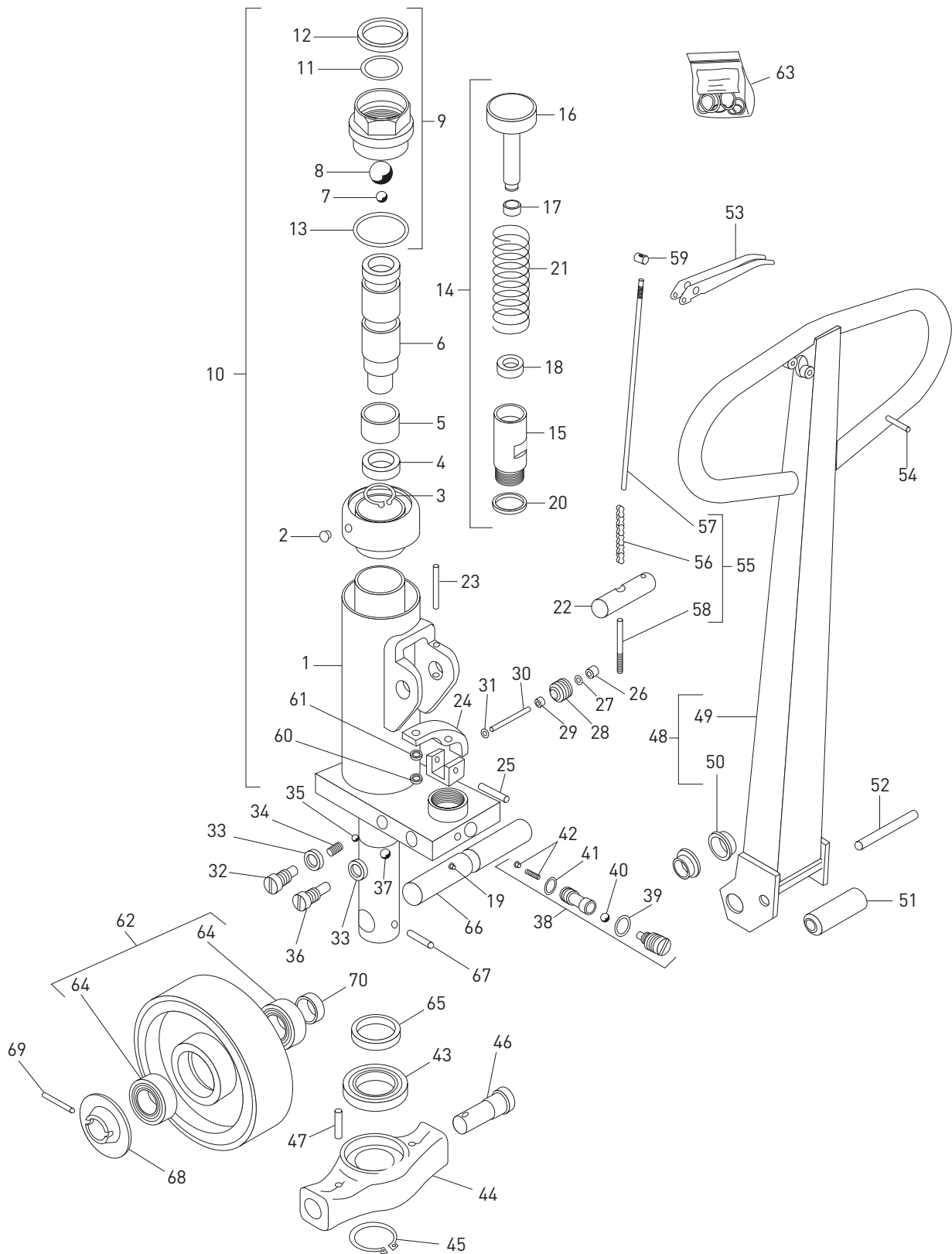


MAIN FRAME BV VESTERGAARD 115R

Nr	Description	Qty	REF	Nr	Description	Qty	REF
2	Screw	1	121TA1045	29	Grease nipple, fork load wheel	2	103TA7742
3A	Torsion tube	1	121TA1046				
3B	Torsion tube (frame width: 685 mm) (with bushings)	1	121TA1047				
4	Shaft, center, fork load wheel	4	121TA1062				
5A	Bushing, torsion tube pivot (for frame width: 520 mm)	2	121TA1000				
5B	Bushing, torsion tube pivot (for frame width: 685 mm)	2	105TA2059				
6	Shaft pivot, torsion tube (frame width: 520 mm)	1	121TA1048				
7	Elastic pin (toothed)	1	147TA3917				
8	Push/pull rod assembly, lift structure	2	121TA1050				
9	Washer (plastic) (thickness: 2,55 mm)	8	105TA2322				
10	Bushing, push/pull rod non fork end	2	121TA1009				
11	Bushing, push/pull rod fork end	2	121TA1008				
12	Lock pin	2	121TA1051				
13	Shaft, push/pull rod fork end	2	121TA1052				
14	Elastic pin	2	121TA1053				
15	Shaft, fork load wheel bracket to chassis	2	121TA1054				
16	Wheel, exit roller (auxiliary)	4	121TA1013				
17	Sealing ring (aluminium)	4	121TA1055				
18	Fork, bracket load wheel	2	103TA7884				
19	Shaft/bolt load wheel	2	121TA1056				
20A	Wheel assembly, load (nylon) (single) (with bearings)	2	107TA2932				
20B	Wheel assembly, load (polyurethane) (nylon rim) (single)	2	121TA1057				
21	Lock pin	8	121TA1063				
23	Wheel, entry roller	2	121TA1020				
24	Nut	2	121TA1059				
25	Spacer, entry roller	2	121TA1060				
26	Bushing (nylon)	4	121TA1023				
27A	Wheel assembly, load (nylon) (tandem) (stainless steel bearings)	4	121TA1061				
27B	Wheel assembly, load (polyurethane) (nylon rim) (tandem) (with bearings)	4	108TA8543				
28	Grease nipple, fork load wheel	2	103TA7734				



HYDRAULIC UNIT BV VESTERGAARD PV25





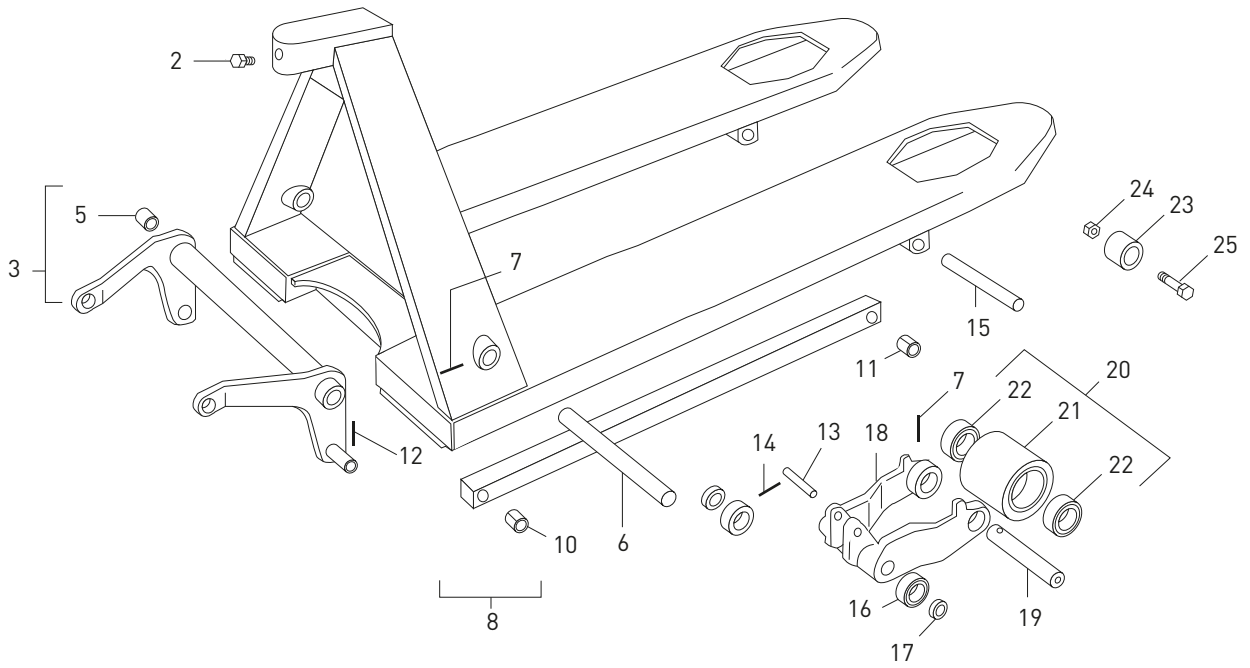
HYDRAULIC UNIT BV VESTERGAARD PV25

Nr	Description	Qty	REF
1	Pump housing	1	120TA9930
2	Cap, rubber	1	120TA9931
3	Circlip	1	120TA9932
4	Lip seal	1	120TA9933
5	Bushing	1	120TA9934
6	Piston, lift cylinder pallet truck	1	120TA9935
7	Steel ball	1	120TA9936
8	Steel ball	1	120TA9937
9	Body, hydraulic pump unit piston	1	120TA9938
10	Hydraulic unit	1	120TA9996
11	O-ring	1	120TA9939
12	Wiper ring (rubber)	1	120TA9940
13	O-ring	1	120TA9941
14	Body, hydraulic pump unit piston	1	105TA4612
15	Body, hydraulic pump unit piston	1	120TA9942
16	Housing, pump	1	120TA9943
17	Lip seal	1	120TA9944
18	Oil seal	1	120TA9945
19	Cap	1	120TA9946
20	Washer (copper) (thickness: 2 mm)	1	105TA1245
21	Spring, control handle return torsion	1	120TA9947
22	Shaft, handle pivot	1	120TA9948
23	Lock pin	1	120TA9949
24	Valve release, hydraulic unit	1	120TA9950
25	Elastic pin	1	120TA9951
26	Bushing (rubber)	1	120TA9952
27	Washer (thickness: 1,3 mm)	1	120TA9953
28	Valve screw	1	120TA9954
29	Lip seal	1	120TA9955
30	Pin, release	1	120TA9956
31	O-ring (4,47 x 1,78 mm)	1	120TA9957
32	Bolt (stepped)	1	120TA9958
33	Bonded seal	2	120TA9959
34	Spring	1	120TA9960
35	Steel ball	1	120TA9961
36	Valve screw	1	120TA9962
37	Steel ball	1	120TA9963
38	Lever lift control	1	120TA9964
39	O-ring	2	120TA9965
40	Steel ball	1	120TA9966

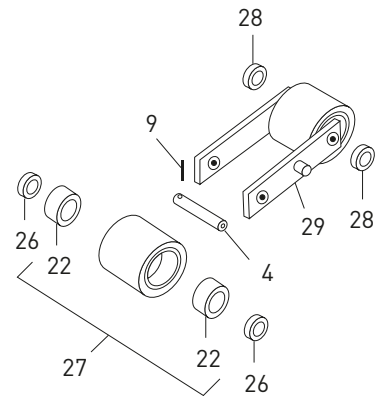
Nr	Description	Qty	REF
41	O-ring	2	120TA9967
42	Seat, spring (with spring)	1	120TA9968
43A	Bearing, hydraulic unit pivot (60 x 40 x 13 mm)	1	120TA9969
43B	Bearing, hydraulic unit pivot (65 x 45 x 14 mm) (older version)	1	123TA6776
44	Thrust plate, hydraulic pump unit mounting	1	120TA9970
45	Circlip	1	120TA9971
46	Axle	2	120TA9972
47	Elastic pin	2	120TA9973
48	Handle assembly	1	120TA9974
49	Bracket, tiller arm	1	120TA9975
50	Bushing, handle pivot	2	120TA9976
51	Roller, control handle pump	1	120TA9977
52	Pin, control handle pump roller	1	120TA9978
53	Lever lowering, tiller	1	120TA9979
54	Elastic pin	1	120TA9980
55	Rod complete, lowering	1	120TA9981
56	Chain, hydraulic unit	1	120TA9982
57	Rod complete, lowering (threaded)	1	120TA9983
58	Rod complete, lowering (threaded)	1	120TA9984
59	Nut	1	123TA6778
60	Nut	1	120TA9986
61	Washer (thickness: 1,6 mm)	1	120TA9987
62A	Wheel assembly, steer (polyurethane) (nylon rim)	2	107TA3104
62B	Wheel assembly, steer (rubber)	2	107TA3136
62C	Wheel assembly, steer (nylon)	2	120TA9988
62D	Wheel assembly, steer (Vulkollan®)	2	120TA9989
63	Kit seal, hydraulic unit	1	107TA7001
64	Ball bearing	4	120TA9990
65	Turning (nylon)	1	120TA9991
66	Shaft, steer wheel	1	120TA9992
67	Elastic pin	1	120TA9993
68	Cap, front wheel hub	2	120TA9994
69	Elastic pin	2	120TA9995
70	Bushing	2	105TA2313



MAIN FRAME BV VESTERGAARD PV25



TANDEM



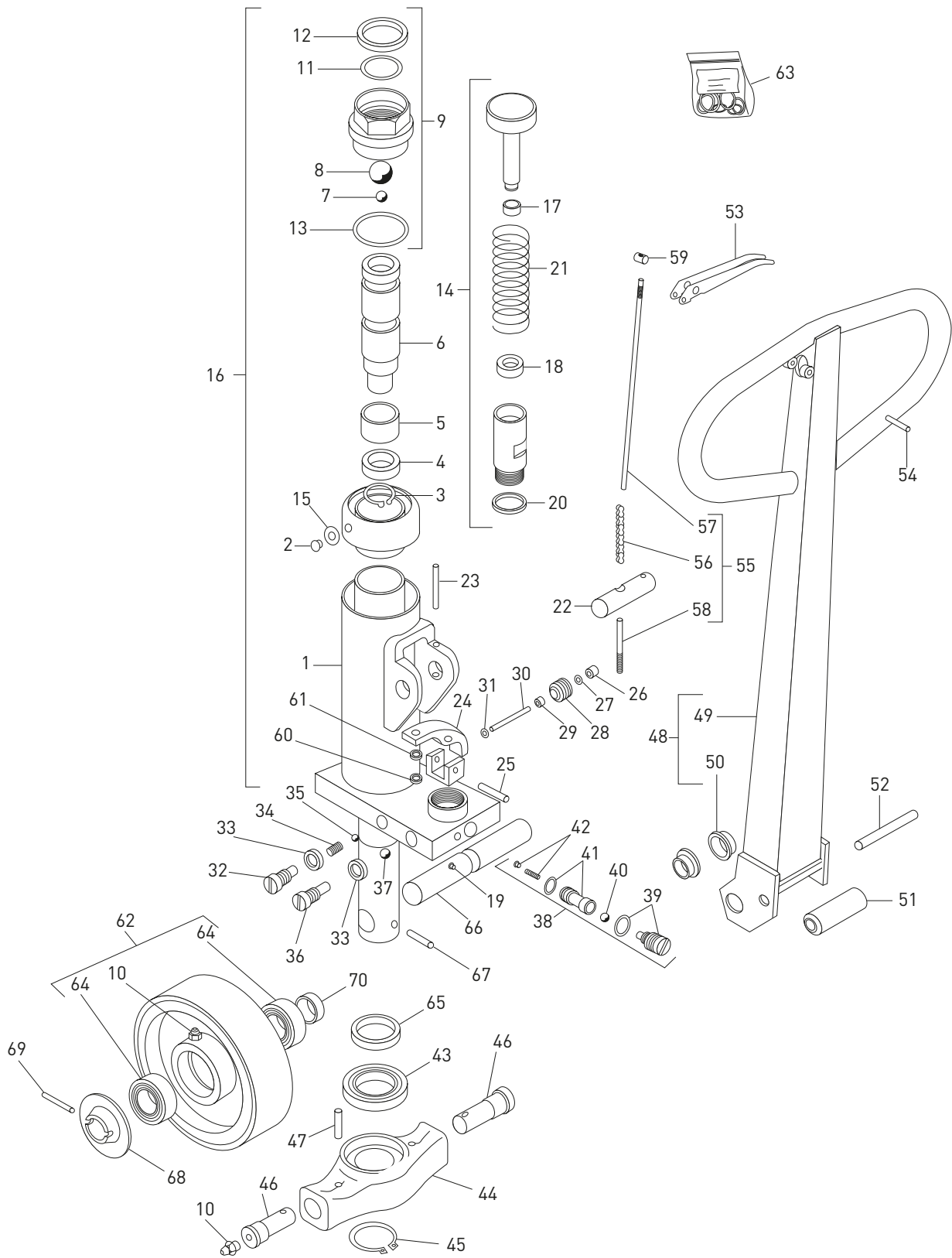


MAIN FRAME BV VESTERGAARD PV25

Nr	Description	Qty	REF	Nr	Description	Qty	REF
2	Screw	1	120TA9997	21B	Wheel assembly, load (polyurethane)	2	107TA2538
3A	Torsion tube (frame width: 480/520 mm)	1	120TA9998	23	Wheel, entry roller	2	121TA1020
3B	Torsion tube (frame width: 685 mm)	1	120TA9999	24	Fastener, shaft/bolt entry roller	2	121TA1021
4	Shaft, center, fork load wheel	4	121TA1027	25	Shaft/bolt, entry roller	2	121TA1022
5A	Bushing, torsion tube pivot (for frame width: 520 mm)	2	121TA1000	26	Bushing (nylon)	4	121TA1023
5B	Bushing, torsion tube pivot (for frame width: 685 mm)	2	105TA2059	27A	Wheel assembly, load (nylon) (tandem)	4	121TA1024
6A	Shaft pivot, torsion tube (frame width: 480/520 mm)	1	121TA1001	27B	Wheel assembly, load (polyurethane) (nylon rim) (tandem)	4	121TA1025
6B	Shaft pivot, torsion tube (frame width: 685 mm)	1	121TA1002	27C	Wheel assembly, load (polyurethane) (tandem)	4	121TA1026
7	Elastic pin	3	121TA1003	28	Washer (plastic) (thickness: 2,55 mm)	8	105TA2322
8A	Push/pull rod assembly, lift structure (fork length: 800 mm)	2	121TA1004	29	Fork, load wheel	4	103TA7743
8B	Push/pull rod assembly, lift structure (frame width: 480 mm) (fork length: 950 mm)	2	121TA1005				
8C	Push/pull rod assembly, lift structure (fork length: 1130 mm)	2	121TA1006				
8D	Push/pull rod assembly, lift structure (frame width: 520/685 mm) (fork length: 950 mm)	2	121TA1007				
9	Elastic pin	8	121TA1028				
10	Bushing	2	121TA1008				
11	Bushing, push/pull rod fork end	2	121TA1009				
12	Lock pin	2	121TA1010				
13	Shaft, push/pull rod fork end	2	121TA1011				
14	Elastic pin	2	120TA9980				
15	Shaft, fork load wheel bracket to chassis	2	121TA1012				
16	Wheel, exit roller (auxiliary)	4	121TA1013				
17	Washer (thickness: 2 mm)	4	121TA1014				
18	Fork, bracket load wheel	2	121TA1015				
19	Shaft/bolt load wheel	2	121TA1016				
20A	Wheel assembly, load (nylon) (single)	2	121TA1017				
20B	Wheel assembly, load (polyurethane) (nylon rim) (single)	2	108TA8549				
21A	Wheel assembly, load (nylon) (single) (without bearings)	2	121TA1018				



HYDRAULIC UNIT BV VESTERGAARD PV25R



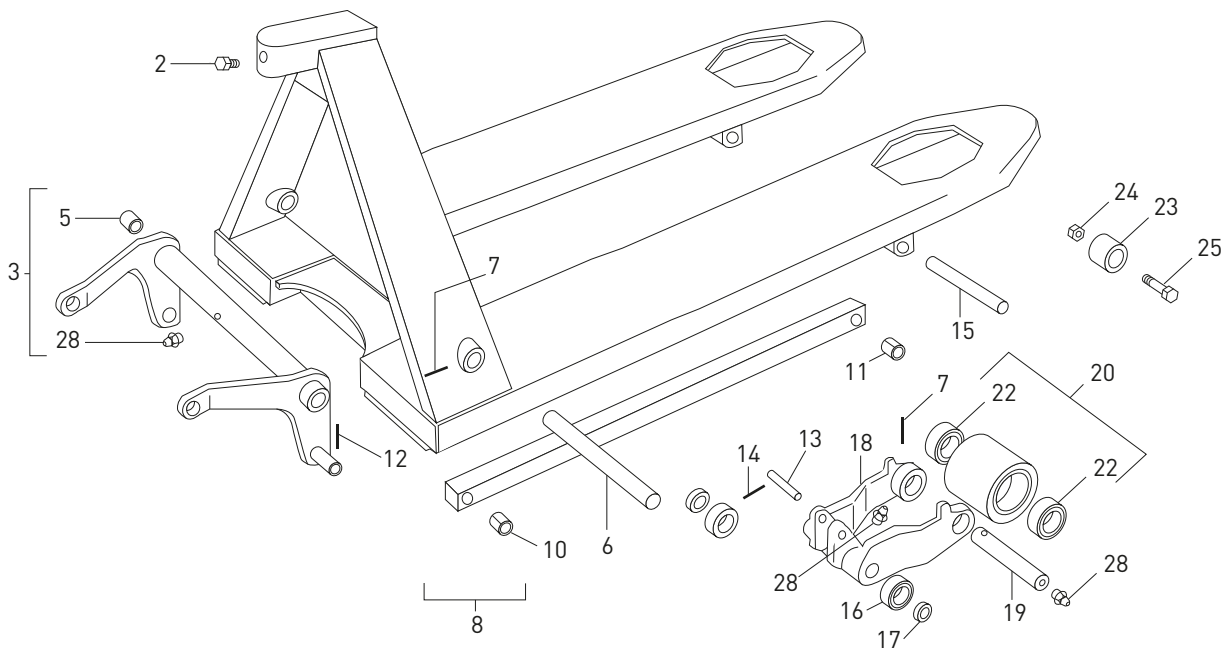


HYDRAULIC UNIT BV VESTERGAARD PV25R

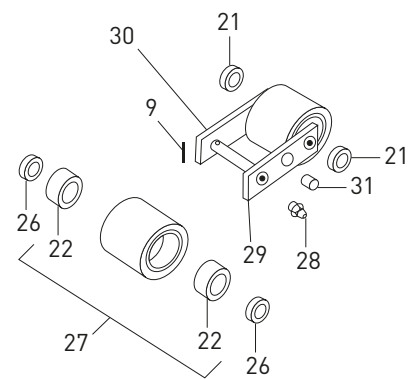
Nr	Description	Qty	REF	Nr	Description	Qty	REF
1	Pump housing	1	121TA1065	41	O-ring	2	120TA9967
2	Plug/screw	1	121TA1066	42	Seat, spring (with spring)	1	120TA9968
3	Circlip	1	120TA9932	43	Bearing, hydraulic unit pivot	1	120TA9969
4	Lip seal	1	120TA9933	44	Thrust plate, hydraulic pump unit mounting	1	121TA1079
5	Bushing	1	120TA9934	45	Circlip	1	121TA1080
6	Piston, lift cylinder pallet truck	1	121TA1067	46	Axle	2	121TA1081
7	Steel ball	1	120TA9936	47	Lock pin	2	121TA1082
8	Steel ball	1	120TA9937	48	Handle assembly	1	121TA1083
9	Body, hydraulic pump unit piston	1	121TA1068	49	Handle assembly	1	121TA1084
10	Grease nipple	5	121TA1064	50	Bushing, handle pivot	2	105TA1847
11	O-ring	1	120TA9939	51	Roller, control handle pump	1	120TA9977
12	Wiper ring (rubber)	1	120TA9940	52	Pin, control handle pump roller	1	121TA1085
13	O-ring	1	120TA9941	53	Lever lowering, tiller	1	121TA1086
14	Cylinder, pump (complete with pump piston)	1	121TA1069	54	Elastic pin	1	121TA1053
15	Bonded seal (10,7 x 16 x 1,5 mm)	1	121TA1100	55	Rod complete, lowering	1	121TA1087
16	Hydraulic unit	1	121TA1101	56	Chain, hydraulic unit	1	121TA1088
17	Lip seal	1	120TA9944	57	Rod complete, lowering (threaded)	1	121TA1089
18	Oil seal	1	120TA9945	58	Rod complete, lowering (threaded)	1	121TA1090
19	Cap	1	120TA9946	59	Nut	1	121TA1091
20	Washer (copper) (thickness: 2 mm)	1	105TA1245	60	Nut, nylon	1	121TA1092
21	Spring, control handle return torsion	1	121TA1070	61	Washer (thickness: 1,5 mm)	1	121TA1093
22	Shaft, handle pivot	1	121TA1071	62A	Wheel assembly, steer (polyurethane) (nylon rim)	2	121TA1094
23	Lock pin	1	121TA1072	62B	Wheel assembly, steer (nylon)	2	121TA1095
24	Valve release, hydraulic unit	1	121TA1073	63	Kit seal, hydraulic unit	1	107TA7001
25	Lock pin	1	121TA1074	64	Ball bearing	4	121TA1096
26	Bushing (rubber)	1	120TA9952	65	Turning (nylon)	1	120TA9991
27	Washer (thickness: 4,5 mm)	1	121TA1075	66	Shaft, steer wheel	1	121TA1097
28	Valve screw	1	120TA9954	67	Lock pin	1	121TA1098
29	Lip seal	1	120TA9955	68	Cap, front wheel hub	2	120TA9994
30	Pin, release	1	120TA9956	69	Lock pin	2	121TA1099
31	O-ring (4,47 x 1,78 mm)	1	120TA9957	70	Bushing	2	105TA2313
32	Bolt (stepped)	1	121TA1076				
33	Bonded seal	2	120TA9959				
34	Lever lift control	1	120TA9960				
35	Steel ball	1	120TA9961				
36	Bolt	1	121TA1077				
37	Steel ball	1	120TA9963				
38	Valve release, hydraulic unit	1	121TA1078				
39	O-ring	2	120TA9965				
40	Steel ball	1	120TA9966				



MAIN FRAME BV VESTERGAARD PV25R



TANDEM





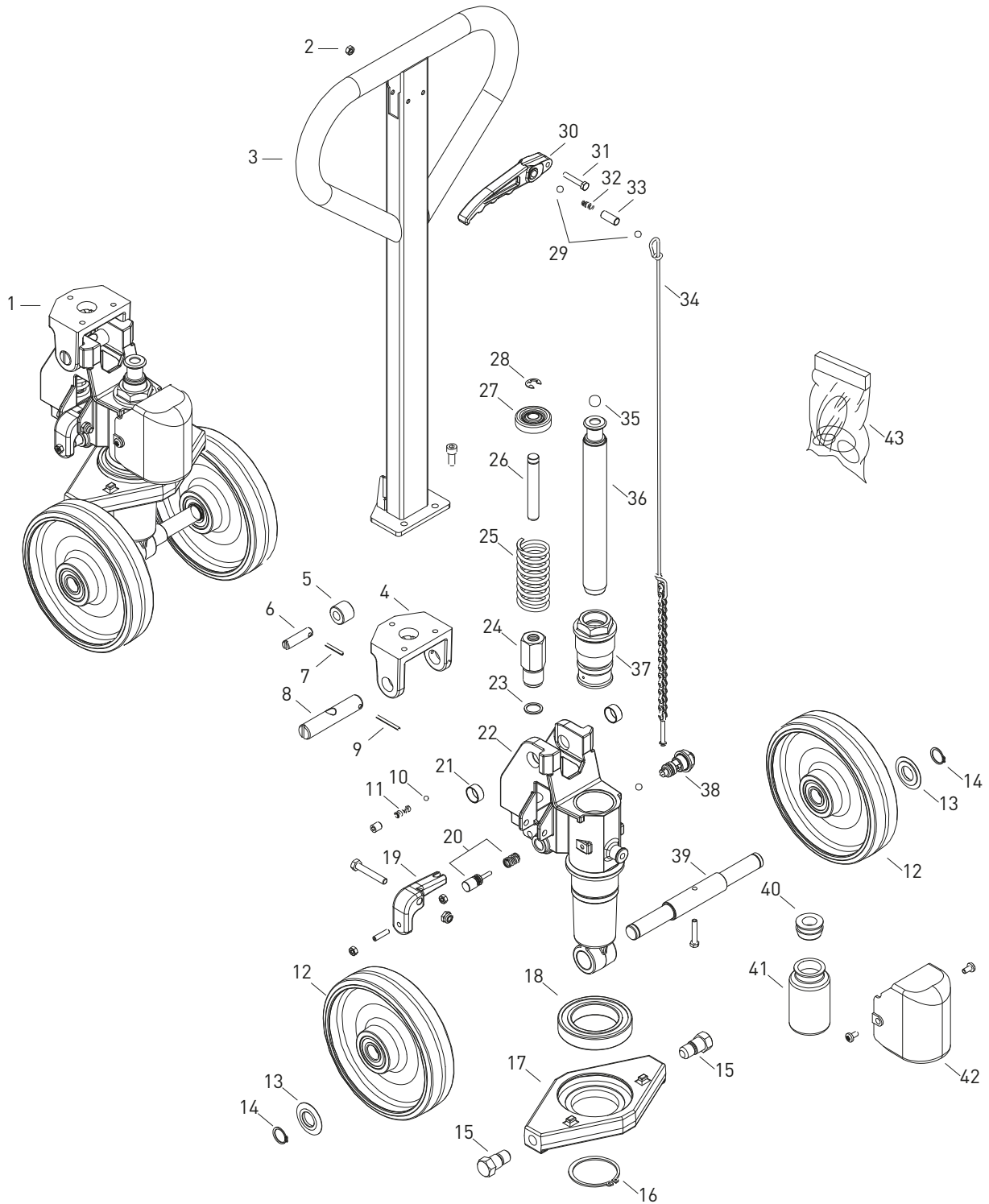
MAIN FRAME BV VESTERGAARD PV25R

Nr	Description	Qty	REF	Nr	Description	Qty	REF
2	Screw	1	121TA1045	27B	Wheel assembly, load (polyurethane) (nylon rim) (tandem) (with bearings)	4	108TA8543
3A	Torsion tube (frame width: 520 mm) (with bushings)	1	121TA1046	29	Grease nipple, fork load wheel	2	103TA7742
3B	Torsion tube (frame width: 685 mm) (with bushings)	1	121TA1047	30	Grease nipple, fork load wheel	2	103TA7734
4	Shaft/bolt load wheel	4	121TA1062	31	Shaft, center, fork load wheel	2	121TA1062
5A	Bushing, torsion tube pivot (for frame width: 520 mm)	2	121TA1000				
5B	Bushing, torsion tube pivot (for frame width: 685 mm)	2	105TA2059				
6A	Shaft pivot, torsion tube (frame width: 520 mm)	1	121TA1048				
6B	Shaft pivot, torsion tube (frame width: 685 mm)	1	145TA8953				
7	Elastic pin (toothed)	3	147TA3917				
8	Push/pull rod assembly, lift structure	2	121TA1050				
9	Lock pin	8	121TA1063				
10	Bushing, push/pull rod non fork end	2	121TA1008				
11	Bushing, push/pull rod fork end	2	121TA1009				
12	Lock pin	2	121TA1051				
13	Shaft, push/pull rod fork end	2	121TA1052				
14	Elastic pin	2	121TA1053				
15	Shaft, fork load wheel bracket to chassis	2	121TA1054				
16	Wheel, exit roller (auxiliary)	4	121TA1013				
17	Sealing ring (aluminium)	4	121TA1055				
18	Fork, bracket load wheel	2	103TA7884				
19A	Shaft, center, fork load wheel (tandem)	2	121TA1056				
19B	Shaft/bolt load wheel (single)	2	121TA1056				
20A	Wheel assembly, load (nylon) (single) (with bearings)	2	107TA2932				
20B	Wheel assembly, load (polyurethane) (nylon rim) (single)	2	121TA1057				
21	Washer (plastic) (thickness: 2,55 mm)	8	105TA2322				
23	Wheel, entry roller	2	121TA1020				
24	Nut	2	121TA1059				
25	Shaft/bolt, entry roller	2	121TA1060				
26	Bushing (nylon)	4	121TA1023				
27A	Wheel assembly, load (nylon) (tandem) (stainless steel bearings)	4	121TA1061				



TRP0001

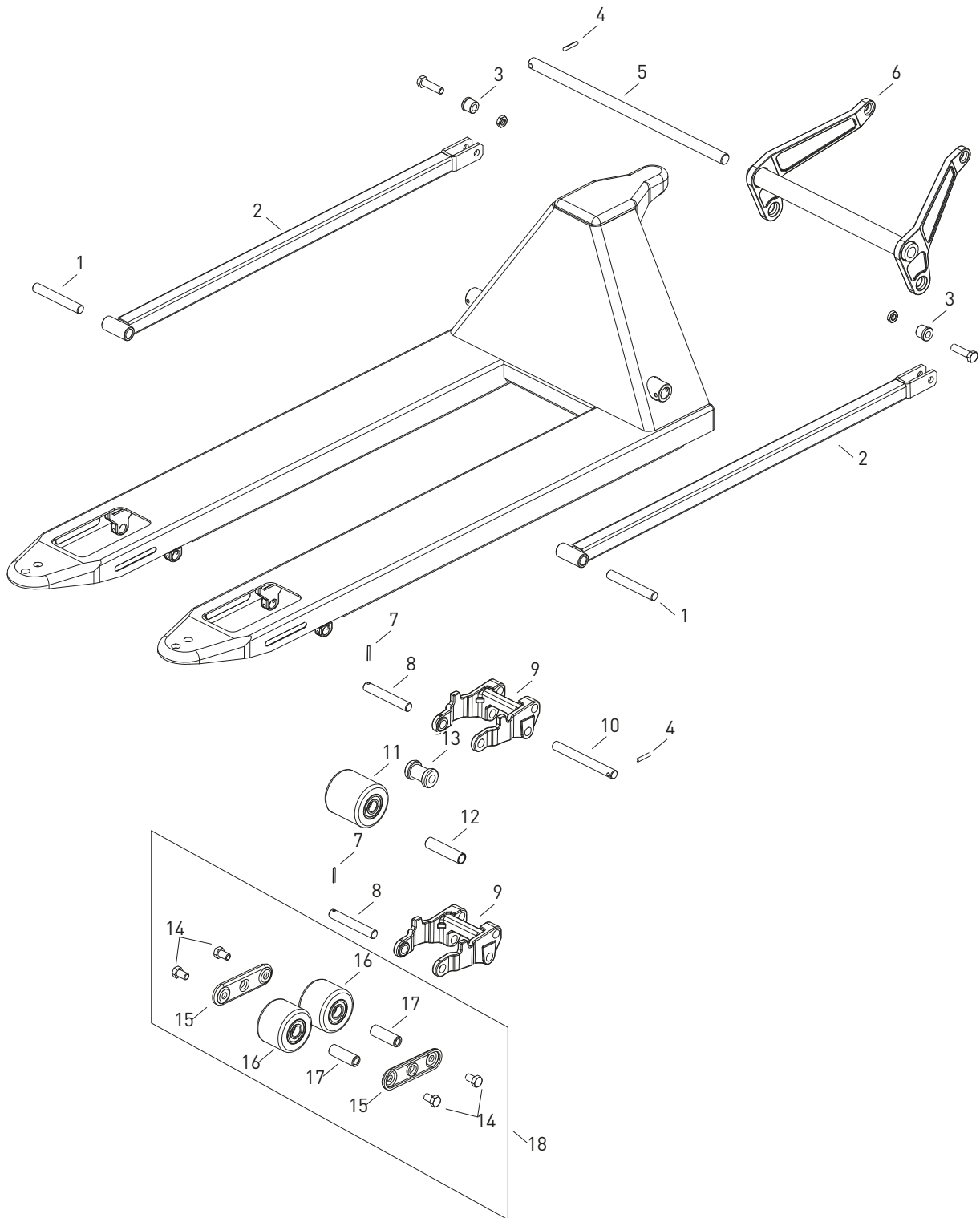
HYDRAULIC UNIT CLIMAX TRP0001





TRP0001

MAIN FRAME CLIMAX TRP0001





MAIN FRAME CLIMAX TRP0001

Nr	Description	Qty	REF
1	Shaft, push/pull rod fork end	2	124TA2507
2	Push/pull rod assembly, lift structure	2	124TA2491
3	Bushing, push/pull rod non fork end	2	122TA6985
4	Elastic pin	2	147TA4243
5	Shaft pivot, torsion tube	1	124TA2493
6	Torsion tube	1	147TA4242
7	Elastic pin	4	124TA2368
8A	Shaft/bolt load wheel	2	124TA2506
8B	Axle, exit roller	2	124TA2506
9	Fork, bracket load wheel	2	124TA2508
10A	Shaft, fork load wheel bracket to chassis	2	124TA2492
10B	Axle, exit roller	2	124TA2492
11A	Wheel assembly, load	2	147TA4248
11B	Wheel assembly, load (nylon) (single)	2	124TA2502
11C	Wheel assembly, load (polyurethane) (single)	2	124TA2503
12	Shaft/bolt load wheel	2	124TA2505
13	Wheel, exit roller	2	124TA2504
14	Bolt	8	122TA7001
15	Fork, load wheel	4	124TA2509
16A	Wheel assembly, load	4	147TA4249
16B	Wheel assembly, load (nylon) (tandem)	4	124TA2500
16C	Wheel assembly, load (polyurethane) (tandem)	4	124TA2501
17	Shaft/bolt load wheel	4	124TA2510
18A	Carrier complete, load wheel (nylon) (black)	2	147TA4250
18B	Carrier complete, load wheel (polyurethane)	2	124TA2512

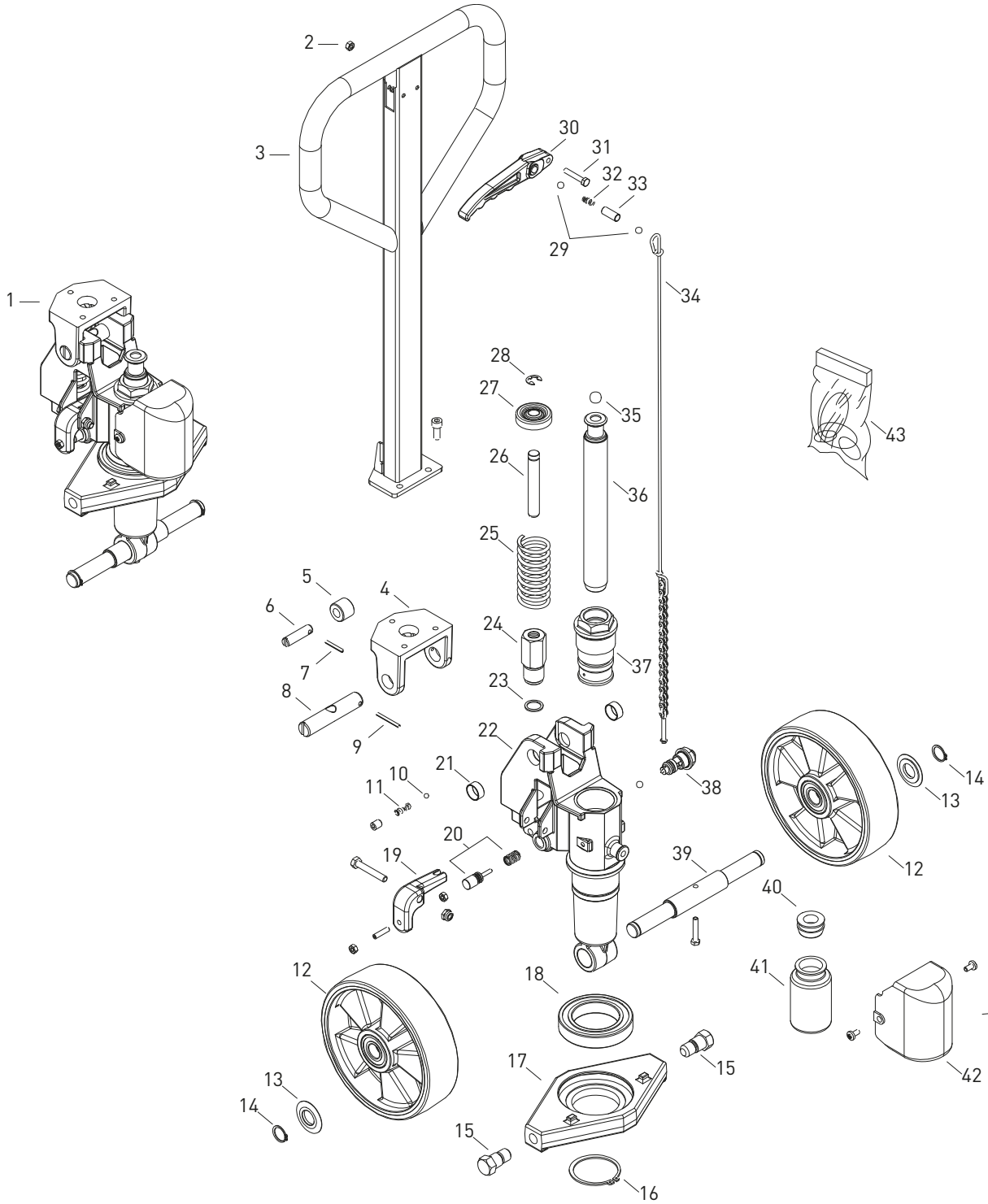
Nr	Description	Qty	REF

TRP0001



TRP0002

HYDRAULIC UNIT CLIMAX TRP0002





HYDRAULIC UNIT CLIMAX TRP0002

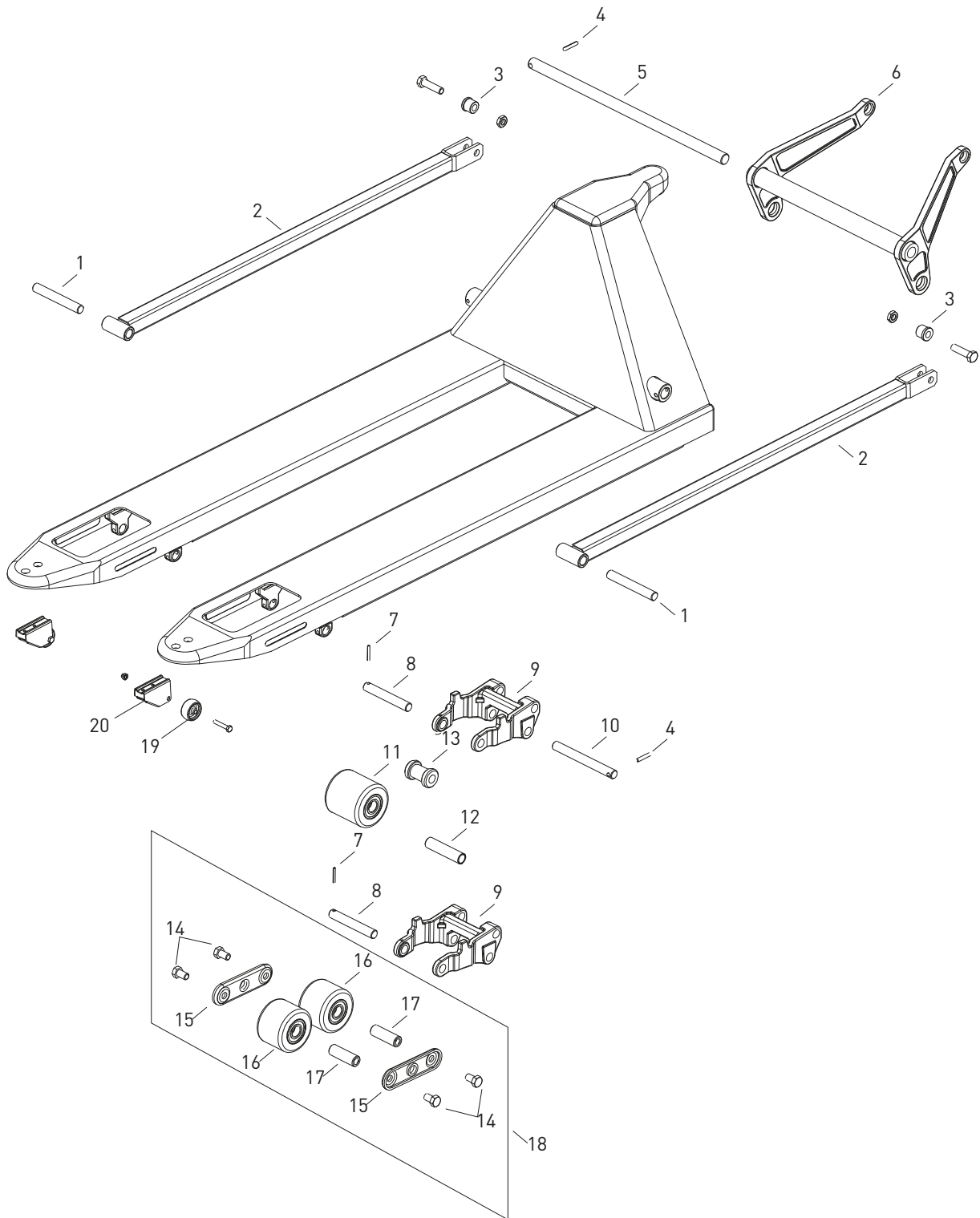
Nr	Description	Qty	REF
1	Hydraulic unit complete (with wheels)	1	147TA4240
2	Nut	1	124TA2363
3	Handle assembly (includes items 2,3 and 29 to 34)	1	151TA3149
4	Bridge (cast iron)	1	147TA4364
5	Roller, control handle pump	1	124TA2341
6	Pin, control handle pump roller	1	124TA2342
7	Elastic pin	1	124TA2368
8	Shaft, handle pivot	1	124TA2338
9	Elastic pin	1	124TA2375
10	Steel ball (diameter: 5,56 mm)	1	147TA4236
11	Spring	1	124TA2346
12A	Wheel assembly, steer (polyurethane) (nylon rim)	2	147TA4235
12B	Wheel assembly, steer (rubber)	2	124TA2343
12C	Wheel assembly, steer (polyurethane) (aluminium rim)	2	124TA2344
12D	Wheel assembly, steer (nylon)	2	124TA2345
13	Cap, front wheel hub	2	124TA2349
14	Circlip	2	124TA2369
15	Screw	2	147TA4237
16	Circlip	1	124TA2374
17	Thrust plate, hydraulic pump unit mounting	1	147TA4239
18	Bearing, hydraulic unit pivot	1	129TA5076
19	Lever lift control	1	147TA4238
20	Valve release, hydraulic unit	1	124TA7533
21	Bushing	2	124TA2351
22	Housing, pump	1	147TA4365
23	Sealing ring (copper) (thickness: 1,5 mm)	1	147TA4046
24	Body, hydraulic pump unit piston	1	147TA4052
25	Spring, control handle return torsion	1	147TA4048
26	Piston, hydraulic pump unit	1	129TA8151
27	Cap, control handle pivot return spring	1	124TA2333
28	Circlip	1	147TA4050
29	Steel ball (diameter: 7,94 mm)	2	124TA2364
30	Lever lowering, tiller	1	124TA2360

Nr	Description	Qty	REF
31	Bolt	1	124TA2372
32	Spring	1	147TA4055
33	Bushing (without collar)	1	124TA2359
34	Rod complete, lowering (includes items 30 and 33)	1	122TA6952
35	Steel ball, lift cylinder piston pallet truck (diameter: 14,29 mm)	1	124TA2365
36	Piston, lift cylinder pallet truck	1	147TA4234
37	Bushing	1	124TA2357
38	Valve release, hydraulic unit	1	147TA4366
39	Shaft, steer wheel	1	124TA2352
40	Cap, oil tank	1	124TA2354
41	Tank, hydraulic oil	1	124TA2353
42	Protection, hydraulic pump unit oil tank	1	124TA2355
43	Kit seal, hydraulic unit	1	122TA6922



TRP0002

MAIN FRAME CLIMAX TRP0002





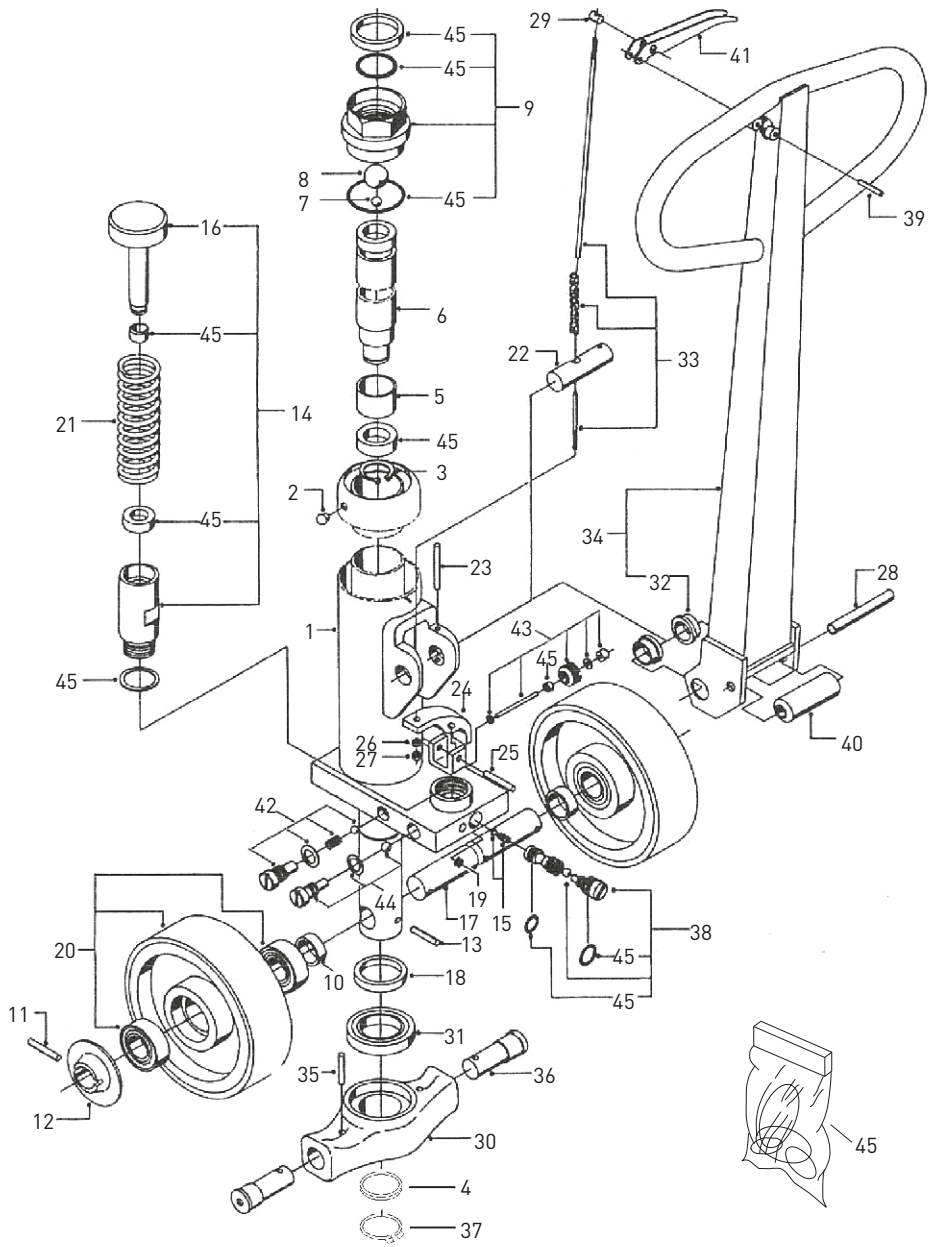
MAIN FRAME CLIMAX TRP0002

Nr	Description	Qty	REF	Nr	Description	Qty	REF
1	Shaft, push/pull rod fork end	2	124TA2507				
2	Push/pull rod assembly, lift structure (fork length: 1150 mm)	2	124TA2491				
3	Bushing, push/pull rod non fork end	2	122TA6985				
4	Elastic pin	2	147TA4243				
5	Shaft pivot, torsion tube	1	124TA2493				
6	Torsion tube	1	147TA4242				
7	Elastic pin	4	124TA2368				
8	Shaft/bolt load wheel	2	124TA2506				
8	Axle, exit roller	2	124TA2506				
9	Fork, bracket load wheel	2	124TA2508				
10A	Shaft, fork load wheel bracket to chassis	2	124TA2492				
10B	Axle, exit roller	2	124TA2492				
11A	Wheel assembly, load (nylon) (single)	2	124TA2502				
11B	Wheel assembly, load (polyurethane)	2	129TA8134				
12	Shaft/bolt load wheel	2	124TA2505				
13	Wheel, exit roller	2	124TA2504				
14	Bolt	8	122TA7001				
15	Fork, load wheel	4	124TA2509				
16A	Wheel assembly, load (nylon) (tandem)	4	124TA2500				
16B	Wheel assembly, load (polyurethane) (tandem)	4	124TA2501				
17	Shaft/bolt load wheel	4	124TA2510				
18A	Carrier complete, load wheel (nylon) (white)	2	124TA2511				
18B	Carrier complete, load wheel (polyurethane)	2	124TA2512				
19	Wheel, entry roller (nylon)	2	124TA2514				
20	Bracket, entry roller	2	147TA4244				



TRPI0002 (-31/12/2015)

HYDRAULIC UNIT CLIMAX TRPI0002 (-31/12/2015)





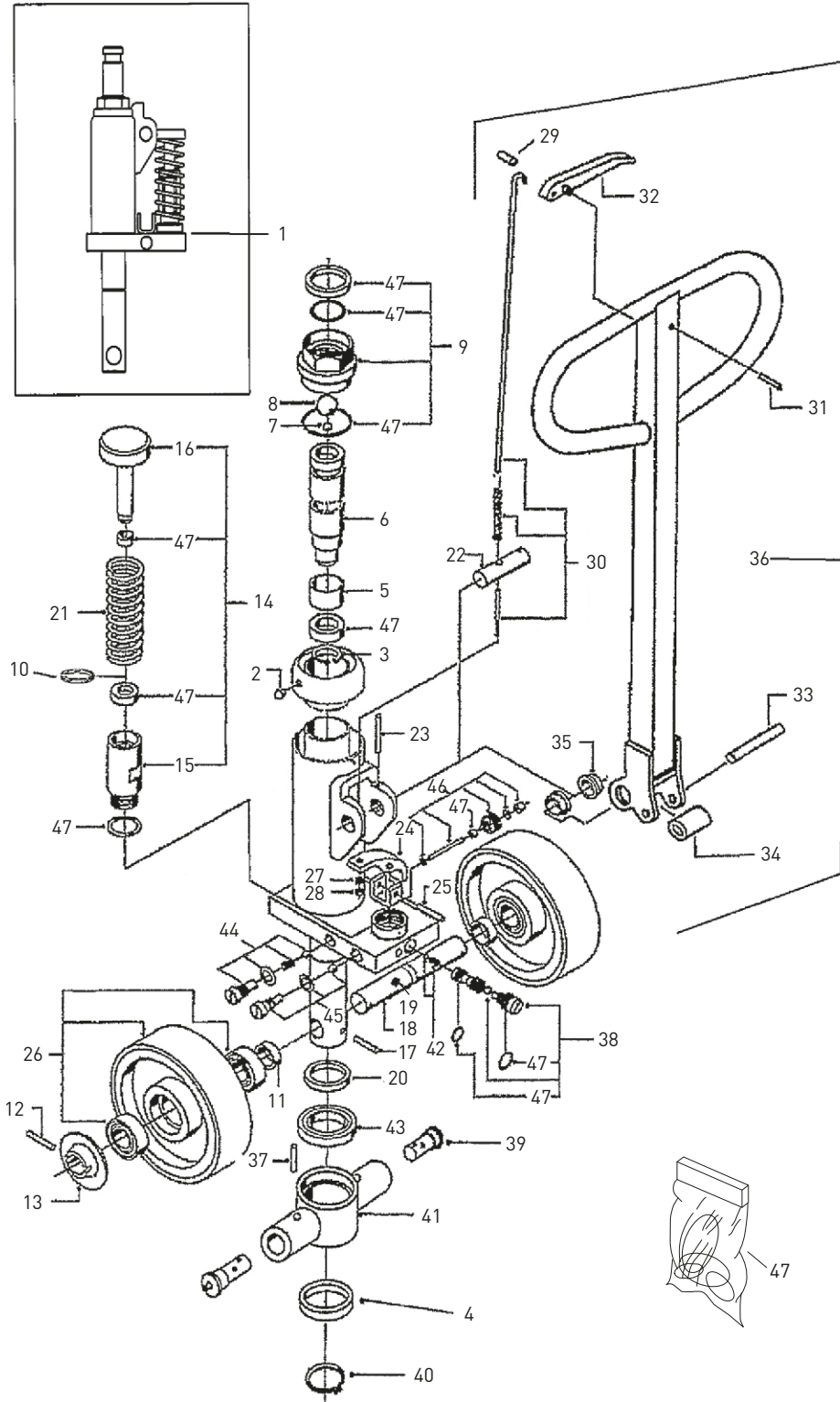
HYDRAULIC UNIT CLIMAX TRPI0002 (-31/12/2015)

Nr	Description	Qty	REF	Nr	Description	Qty	REF
	Hydraulic unit	1	145TA8897	32	Bushing, handle pivot	2	145TA8929
1	Housing, pump	1	145TA8898	33	Rod complete, lowering	1	145TA8933
2	Screw (slotted)	1	145TA8899	34	Handle assembly	1	145TA8927
3	Circlip	1	145TA8901	35	Lock pin	2	145TA8926
4	Washer set	1	145TA8946	36	Axle, thrust plate	2	145TA8925
5	Bushing	1	144TA9109	37	Circlip	1	145TA8924
6	Piston, lift cylinder pallet truck	1	145TA8903	38	Valve release, hydraulic unit	1	145TA8921
7	Steel ball, lift cylinder piston pallet truck	1	145TA8904	39	Lock pin	1	145TA8932
8	Steel ball, lift cylinder piston pallet truck	1	145TA8905	40	Roller, control handle pump	1	144TA9157
9	Body, hydraulic pump unit piston	1	145TA8906	41	Lever lowering, tiller	1	145TA8931
10	Bushing (without collar)	2	145TA8945	42	Valve release, hydraulic unit	1	151TA3012
11	Spacer	2	145TA8944	43	Valve release, hydraulic unit	1	151TA3010
12	Cap, front wheel hub	2	144TA9172	44	Valve release, hydraulic unit	1	151TA3011
13	Circlip	1	145TA8916	45	Kit seal, hydraulic unit	1	151TA3013
14	Body, hydraulic pump unit piston (with pump piston)	1	145TA8908				
15	Chamber and spring	1	144TA9154				
16	Piston, hydraulic pump unit	1	145TA8911				
17	Shaft, steer wheel	1	145TA8943				
18	Spacer, pivot bearing hydraulic pump unit to chassis	1	145TA8942				
19	Cap, end	1	144TA9132				
20A	Wheel assembly, steer (polyurethane)	2	151TA3014				
20B	Wheel assembly, steer (rubber)	2	151TA3015				
20C	Wheel assembly, steer (nylon)	2	145TA8940				
21	Spring, control handle return torsion	1	145TA8912				
22	Shaft, handle pivot	1	145TA8913				
23	Lock pin	1	145TA8914				
24	Lever lift control	1	145TA8915				
25	Lock pin	1	145TA8916				
26	Washer (thickness: 1,5 mm)	1	145TA8938				
27	Nut	1	145TA8937				
28	Pin, control handle pump roller	1	145TA8930				
29	Nut, special	1	151TA3009				
30	Thrust plate, hydraulic pump unit mounting	1	145TA8923				
31	Bearing, hydraulic unit pivot	1	145TA8922				



TRPI0002 (1/01/2016-)

HYDRAULIC UNIT CLIMAX TRPI0002 (1/01/2016-)





HYDRAULIC UNIT CLIMAX TRPI0002 (1/01/2016-)

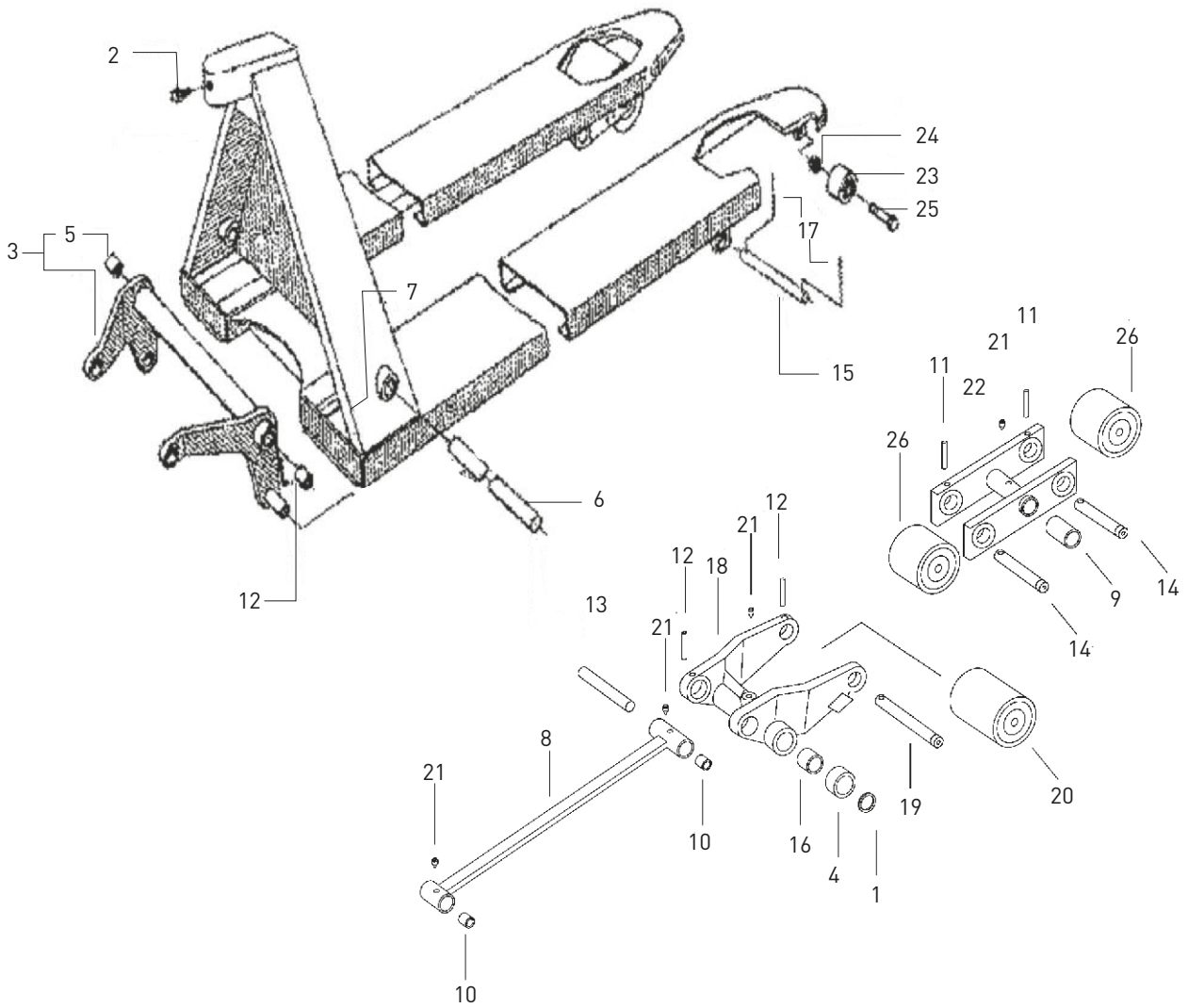
Nr	Description	Qty	REF	Nr	Description	Qty	REF
1	Hydraulic unit	1	145TA8897	34	Roller, control handle pump	1	151TA3218
2	Screw (slotted)	1	145TA8899	35	Bushing, handle pivot	2	151TA3217
3	Circlip	1	145TA8901	36	Handle assembly	1	151TA3216
4	Washer set	1	145TA8946	37	Elastic pin	2	145TA8926
5	Bushing	1	144TA9109	38	Valve release, hydraulic unit	1	145TA8921
6	Piston, lift cylinder pallet truck	1	145TA8903	39	Axle neck	2	145TA8925
7	Steel ball	1	145TA8904	40	Circlip	1	145TA8924
8	Steel ball (diameter: 2,54 mm)	1	145TA8905	41	Thrust plate, hydraulic pump unit mounting	1	145TA8923
9	Body, hydraulic pump unit piston	1	145TA8906	42	Chamber and spring	1	151TA3405
10	Locking ring	1	151TA3407	43	Bearing, hydraulic unit pivot	1	145TA8922
11	Circlip	2	145TA8945	44	Valve release, hydraulic unit	1	151TA3408
12	Spacer	2	145TA8944	45	Valve release, hydraulic unit	1	151TA3409
13	Cap, front wheel hub	2	144TA9172	46	Valve release, hydraulic unit	1	151TA3011
14	Body, hydraulic pump unit piston (with pump piston)	1	151TA3253	47	Kit seal, hydraulic unit	1	151TA3013
15	Body, hydraulic pump unit piston (with seals)	1	151TA3254				
16	Cap, control handle pivot return spring (with seals)	1	145TA8911				
17	Elastic pin	1	145TA8916				
18	Shaft, steer wheel	1	145TA8943				
19	Cap, end	1	144TA9132				
20	Spacer, pivot bearing hydraulic pump unit to chassis	1	145TA8942				
21	Spring, control handle return torsion	1	145TA8912				
22	Shaft, handle pivot	1	145TA8913				
23	Elastic pin	1	145TA8914				
24	Lever lift control	1	145TA8915				
25	Elastic pin	1	151TA3404				
26A	Wheel assembly, steer (polyurethane)	2	151TA3014				
26B	Wheel assembly, steer (rubber)	2	151TA3015				
26C	Wheel assembly, steer (nylon)	2	145TA8940				
27	Washer (thickness: 1,5 mm)	1	145TA8938				
28	Nut	1	145TA8937				
29	Tube	1	151TA3222				
30	Rod complete, lowering	1	151TA3406				
31	Elastic pin	1	151TA3220				
32	Lever lowering, tiller	1	151TA3219				
33	Pin, control handle pump roller	1	145TA8930				

TRPI0002 (1/01/2016-)



TRPI0002

MAIN FRAME CLIMAX TRPI0002



**MAIN FRAME CLIMAX TRPI0002**

Nr	Description	Qty	REF	Nr	Description	Qty	REF
1	Sealing ring (aluminium) (thickness: 1 mm)	4	145TA8976				
2	Bolt	1	145TA8949				
3	Torsion tube (fork width: 520 mm)	1	145TA8948				
3	Torsion tube (fork width: 685 mm)	1	145TA8950				
4	Wheel, exit roller	4	145TA8975				
5A	Bushing, torsion tube pivot (fork width: 520 mm)	2	145TA8951				
5B	Bushing, push/pull rod non fork end (fork width: 685 mm)	2	145TA8951				
6A	Torsion tube (fork width: 520 mm)	1	145TA8952				
6B	Torsion tube (fork width: 685 mm)	1	145TA8953				
7	Lock pin	3	145TA8954				
8	Push/pull rod assembly, lift structure	2	145TA8955				
9	Shaft, center, fork load wheel	4	145TA8973				
10	Bushing, push/pull rod fork end	8	145TA8956				
11	Lock pin	4	145TA8972				
12	Lock pin	4	145TA8932				
13	Shaft, push/pull rod fork end	2	145TA8957				
14	Shaft/bolt load wheel	4	145TA8971				
15	Shaft, fork load wheel bracket to chassis	2	145TA8958				
16	Bushing, fork load wheel bracket to chassis	4	145TA8959				
17	Lock pin	4	145TA8954				
18	Fork, bracket load wheel	2	145TA8960				
19	Shaft/bolt load wheel	2	145TA8961				
20A	Wheel assembly, load (nylon)	2	145TA8962				
20B	Wheel assembly, load (polyurethane)	2	145TA8963				
21	Grease nipple	8	145TA8974				
22	Fork, load wheel	4	145TA8970				
23	Wheel, entry roller	2	145TA8965				
24	Lock nut	2	145TA8966				
25	Shaft/bolt, entry roller	2	145TA8967				
26A	Wheel assembly, load (nylon)	4	145TA8968				
26B	Wheel assembly, load (polyurethane)	4	145TA8969				

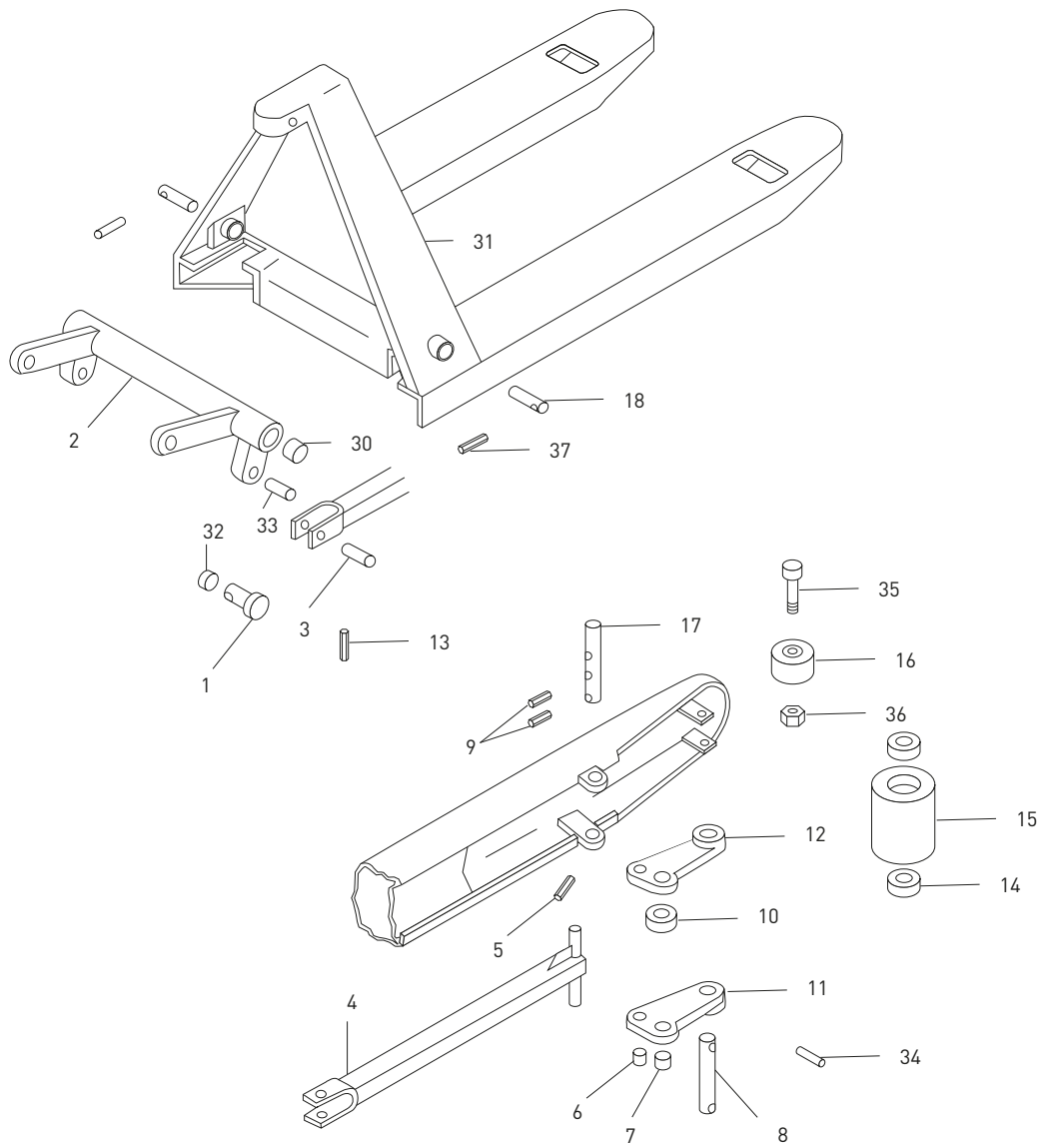
HYDRAULIC UNIT CROWN PTH

Nr	Description	Qty	REF
1	Piston, lift cylinder pallet truck	1	123TA9536
2	Sleeve	1	123TA8426
3	Magnet (with sleeve)	1	123TA8427
4	Oil seal	1	123TA9537
5	Circlip	1	123TA9538
6	Bushing	1	123TA8430
7	Lip seal	1	123TA9539
8	Bushing	1	123TA9540
9	Anchor, chain	1	113TA1925
10A	Chain, hydraulic unit	1	123TA9541
10B	Link, chain	1	113TA1756
11	Anchor, chain	1	113TA1926
12	Fill plug, hydraulic pump	1	123TA8433
13	O-ring	1	147TA3688
14	Pin, release	1	123TA9543
15	Spring	1	123TA9544
16	Oil seal	1	123TA9545
17	Lever lift control	1	123TA9546
18	Body, hydraulic pump unit piston	1	123TA9547
19	Actuating plate	1	123TA9548
20	Ball housing	1	123TA8443
21	Steel ball	1	123TA9549
22	Tappet	1	123TA8442
23	Kit seal, hydraulic unit	1	107TA7004
24	Ball bearing	1	123TA9550
25	Spring	1	123TA8445
26	Screw, plug	1	123TA8447
27	Washer (thickness: 2,5 mm)	1	123TA9551
28	Spring, control handle return torsion	1	123TA9552
29	Backup ring	2	123TA9553
30	O-ring	2	123TA9554
31	Body, hydraulic pump unit piston (includes items 27 to 34)	1	123TA9555
32	Circlip	1	123TA9556
33	Circlip	1	123TA9557
34	Piston, hydraulic pump unit	1	123TA9555
35	Sealing ring (copper)	2	123TA9558
36	Sealing ring (copper)	1	123TA9559
37	Screw	1	123TA9560
38A	Bracket, tiller arm	1	123TA9561
38B	Handle assembly	1	123TA9562

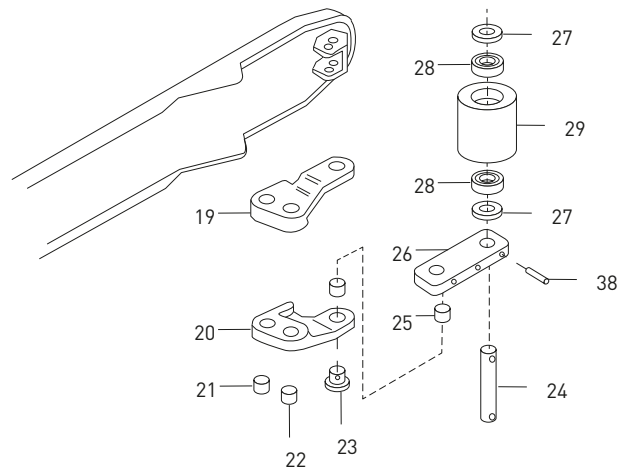
Nr	Description	Qty	REF
39	Pin, control handle pump roller	1	123TA9563
40	Bushing, control handle pump roller	2	123TA9564
41	Roller, control handle pump	1	105TA1932
42	Nut	1	123TA9565
43	Nut	1	123TA9566
44	Washer (thickness: 2,5 mm)	2	123TA9567
45	Spring	1	123TA9568
46	Rod complete, lowering	1	123TA9569
47	Lever lowering, tiller	1	123TA9570
48	Shaft, steer wheel	1	123TA9571
49	Ball bearing	4	147TA3689
50A	Wheel assembly, steer (polyurethane)	2	123TA9572
50B	Wheel assembly, steer (nylon)	2	123TA9573
50C	Wheel assembly, steer (steel)	2	123TA9574
51	Circlip	2	123TA9557
52	Rod end, push/pull rod fork end	1	123TA9575
53	Circlip	1	119TA9877
54	Grease nipple	1	123TA9576
55	Elastic pin	1	123TA9577
56	Bearing, hydraulic unit pivot	1	123TA9578
57	Shaft, handle pivot	1	123TA9579
58	Elastic pin	1	123TA9580
59	Elastic pin	1	123TA9581
60	Rim, steer wheel	1	123TA9582
61	Spacer, pivot bearing hydraulic pump unit to chassis	1	123TA9583
62	Bushing, handle pivot	2	105TA1884
63	Elastic pin	1	123TA9584
64	Elastic pin	2	123TA9584
65	Elastic pin	2	123TA9577
66	Ball bearing	2	123TA9550
67	Bushing (without collar)	1	105TA1786
68	Spring	1	123TA8474



MAIN FRAME CROWN PTH



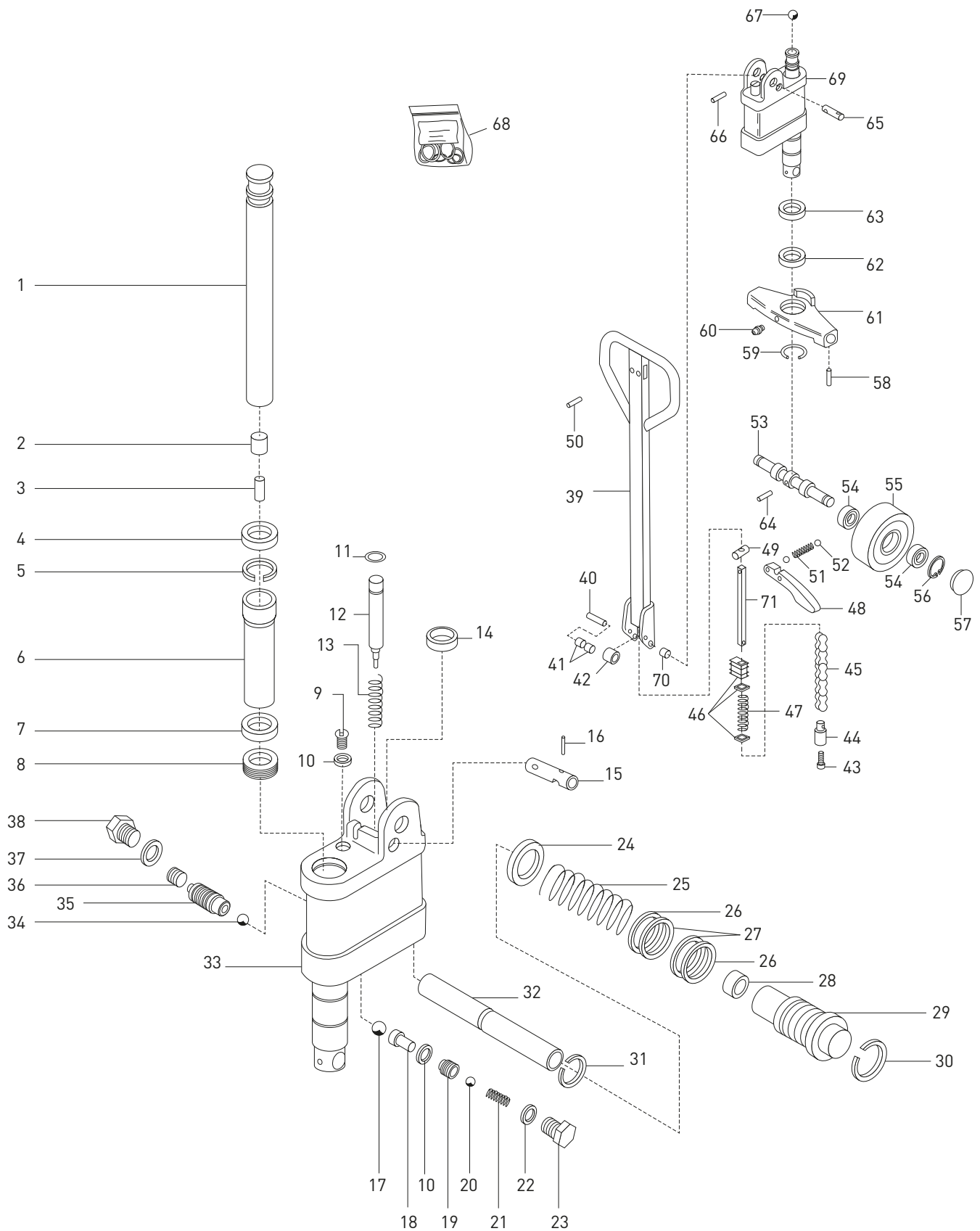
TANDEM





PTH 50 (-28/02/2007)

HYDRAULIC UNIT CROWN PTH 50 (-28/02/2007)





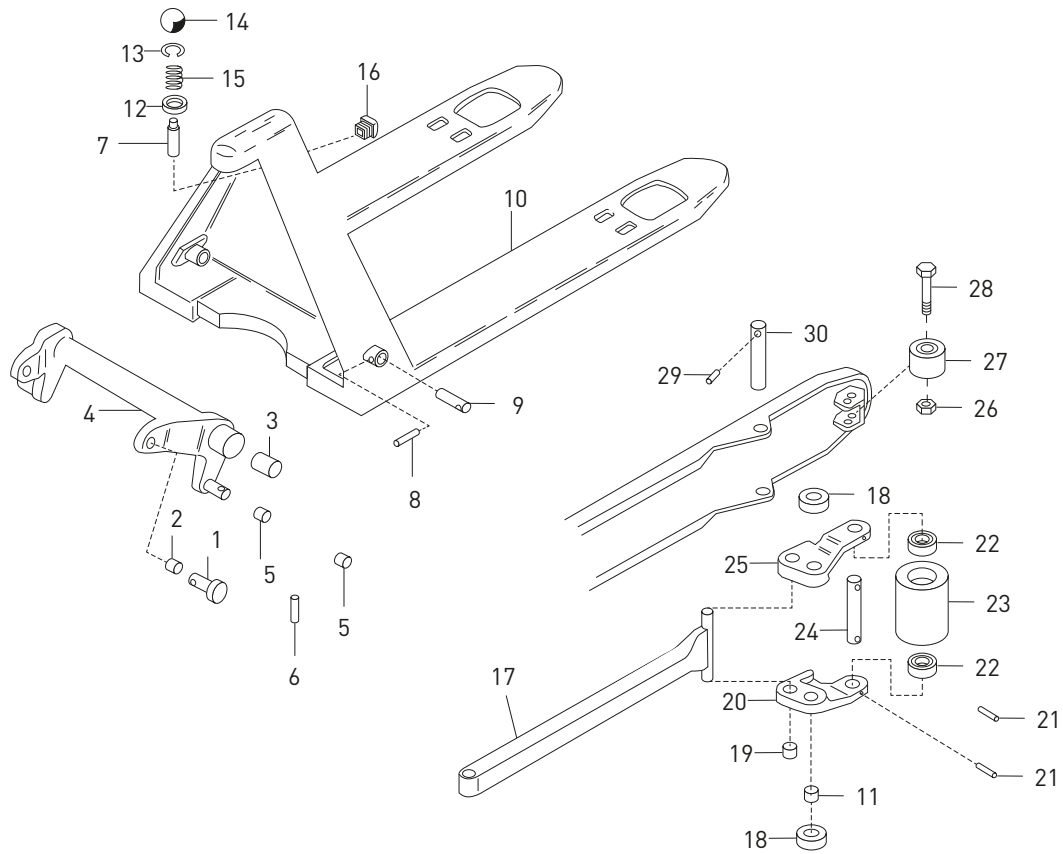
HYDRAULIC UNIT CROWN PTH 50 (-28/02/2007)

Nr	Description	Qty	REF
1	Piston, lift cylinder pallet truck	1	123TA8425
2	Sleeve	1	123TA8426
3	Magnet (with sleeve)	1	123TA8427
4	Oil seal	1	123TA8428
5	Circlip	1	123TA8429
6	Bushing	1	123TA8430
7	Lip seal	1	123TA8431
8	Bushing	1	123TA8432
9	Fill plug, hydraulic pump	1	123TA8433
10	Sealing ring (copper)	2	123TA8434
11	O-ring	1	123TA8435
12	Plunger, valve	1	123TA8436
13	Spring	1	123TA8437
14	Seal	1	123TA8438
15	Lever lift control	1	123TA8439
16	Elastic pin	1	123TA8440
17	Ball bearing	1	123TA8441
18	Tappet	1	123TA8442
19	Ball housing	1	123TA8443
20	Steel ball	1	123TA8444
21	Spring	1	123TA8445
22	Sealing ring (copper)	1	123TA8446
23	Screw, plug	1	123TA8447
24	Shim (thickness: 2,5 mm)	1	123TA8448
25	Spring, control handle return torsion	1	123TA8449
26	Backup ring (rubber)	2	123TA8450
27	O-ring	2	123TA8451
28	Lip seal (polyurethane)	1	123TA8452
29	Body, hydraulic pump unit piston	1	123TA8453
30	Circlip	1	123TA8454
31	Circlip	1	123TA8455
32A	Piston, hydraulic pump unit	1	123TA8456
32B	Kit seal, hydraulic pump unit piston	1	123TA8457
33A	Hydraulic unit	1	123TA8458
33B	Weld, pump	1	123TA8459
34	Steel ball	1	123TA8460
35	Valve release, hydraulic unit	1	123TA8461
36	Screw (adjusting)	1	123TA8462
37	Sealing ring (copper)	1	123TA8466
38	Screw, plug	1	123TA8447
39	Handle assembly	1	123TA8463
40	Pin, control handle pump roller	1	123TA8464

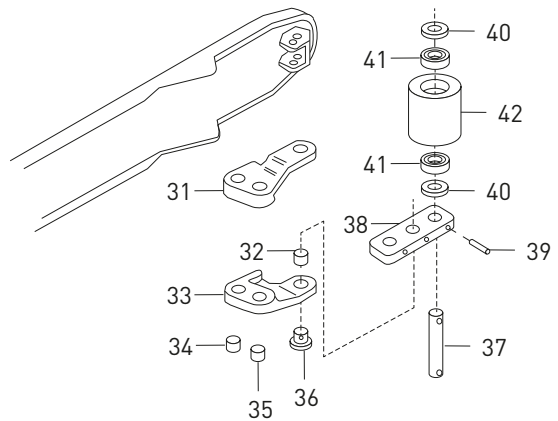
Nr	Description	Qty	REF
41	Bushing, control handle pump roller	2	123TA8465
42	Roller, control handle pump	1	123TA8466
43	Capscrew	1	123TA8467
44	Anchor, chain	1	106TA7845
45	Chain, hydraulic unit	1	123TA8468
46	Insert assembly	1	123TA8469
47	Spring	1	123TA8470
48	Lever lowering, tiller	1	123TA8471
49	Nut (barrel)	1	123TA8472
50	Elastic pin	1	123TA8473
51	Spring	1	123TA8474
52	Ball bearing	2	123TA8441
53	Shaft, steer wheel	1	123TA8475
54	Ball bearing	4	123TA8476
55A	Wheel assembly, steer (polyurethane) (without bearings)	2	111TA1211
55B	Wheel assembly, steer (nylon) (without bearings)	2	111TA1210
55C	Wheel assembly, steer (rubber) (without bearings)	2	111TA1209
55D	Wheel assembly, steer (polyurethane) (nylon rim)	2	123TA8477
55E	Wheel assembly, steer (nylon)	2	123TA8478
55F	Wheel assembly, steer (rubber)	2	123TA8479
56	Circlip	2	123TA8480
57	Cap, front wheel hub	2	123TA8481
58	Elastic pin	2	123TA8482
59	Circlip	1	123TA8483
60	Grease nipple	1	123TA8484
61	Thrust plate, hydraulic pump unit mounting	1	123TA8485
62	Bearing, hydraulic unit pivot	1	123TA8486
63	Spacer, pivot bearing hydraulic pump unit to chassis	1	123TA8487
64	Elastic pin	1	123TA8488
65	Shaft, handle pivot	1	123TA8489
66	Elastic pin	1	123TA8490
67	Ball bearing	1	123TA8491
68	Kit repair, hydraulic unit	1	107TA7005
69A	Hydraulic unit	1	123TA8492
69B	Hydraulic unit	1	123TA8493
70	Bushing, handle pivot	2	123TA8494
71	Connecting rod	1	123TA9612



MAIN FRAME CROWN PTH 50 (-28/02/2007)



TANDEM





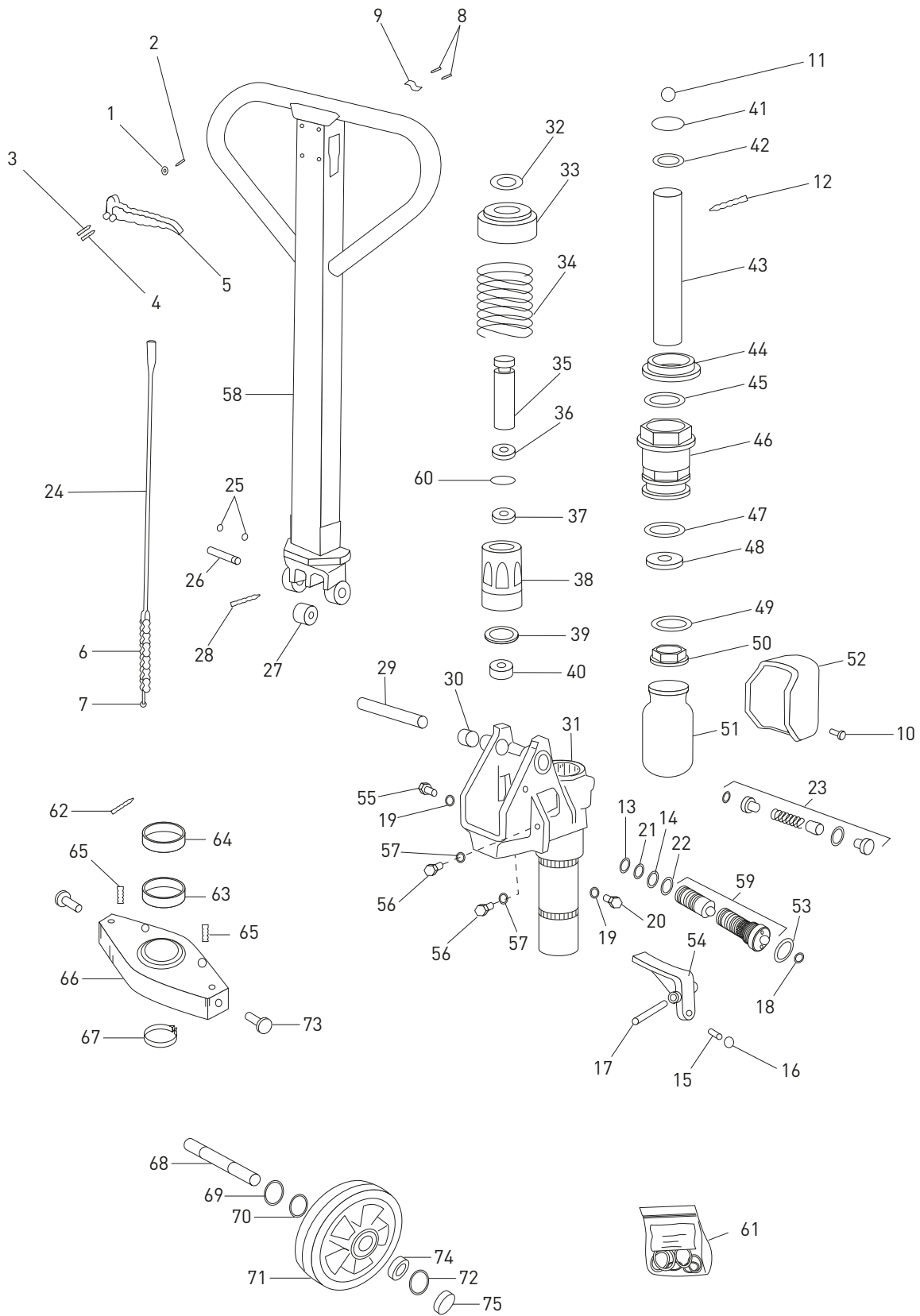
MAIN FRAME CROWN PTH 50 (-28/02/2007)

Nr	Description	Qty	REF	Nr	Description	Qty	REF
1	Shaft, torsion tube to thrust plate	2	123TA8495	30	Shaft, fork load wheel bracket to chassis	2	123TA8521
2	Bushing, torsion tube to thrust plate	2	123TA8496	31	Fork, bracket load wheel	2	123TA8522
3	Bushing, torsion tube pivot	2	123TA8497	32	Bushing, load wheel tandem pivot	4	123TA8494
4	Torsion tube (frame width: 520 mm)	1	123TA8498	33	Fork, bracket load wheel	2	106TA8191
5	Bushing, push/pull rod non fork end	4	123TA8499	34	Bushing, fork load wheel bracket to push/pull rod	4	123TA8512
6	Elastic pin	2	123TA8473	35	Bushing, fork load wheel bracket to chassis	4	123TA8504
7	Axle	4	123TA8500	36	Shaft, center, fork load wheel	4	123TA8523
8	Elastic pin	2	123TA8501	37	Shaft/bolt load wheel	4	123TA8524
9	Shaft pivot, torsion tube	2	123TA8502	38	Fork, load wheel	4	123TA8525
10	Frame (frame width: 520 mm) (fork length: 1150 mm)	1	123TA8503	39	Elastic pin	12	123TA8526
11	Bushing, fork load wheel bracket to chassis	1	123TA8504	40	Shim (thickness: 1,5 mm)	8	123TA8527
12	Washer (thickness: 2 mm)	1	123TA8505	41	Ball bearing	8	123TA8476
13	Circlip	1	123TA8506	42A	Wheel assembly, load (polyurethane) (nylon rim) (tandem) (without bearings)	4	108TA8539
14	Knob	1	123TA8507	42B	Wheel assembly, load (nylon) (tandem) (without bearings)	4	110TA8519
15	Spring	1	123TA8508	42C	Wheel assembly, load (polyurethane) (nylon rim) (tandem)	4	108TA8541
16	Insert	1	123TA8509	42D	Wheel assembly, load (nylon) (tandem)	4	123TA8528
17	Push/pull rod assembly, lift structure (fork length: 1500 mm)	2	123TA8510				
18	Wheel, exit roller	4	123TA8511				
19	Bushing, load wheel tandem pivot	4	123TA8512				
20	Fork, bracket load wheel	2	123TA8513				
21	Elastic pin	4	123TA8501				
22	Ball bearing	4	123TA8476				
23A	Wheel assembly, load (polyurethane) (nylon rim) (without bearings) (single)	2	107TA2474				
23B	Wheel assembly, load (nylon) (single) (without bearings)	2	110TA8520				
23C	Wheel assembly, load (polyurethane) (nylon rim) (single)	2	123TA8514				
23D	Wheel assembly, load (nylon) (single)	2	123TA8515				
24	Shaft, fork load wheel bracket to chassis	2	123TA8516				
25	Fork, bracket load wheel	2	123TA8517				
26	Lock nut	2	123TA8518				
27	Wheel, entry roller	2	107TA2893				
28	Axle, exit roller	2	123TA8519				
29	Elastic pin	2	123TA8520				

PTH 50 (-28/02/2007)



HYDRAULIC UNIT ECOLIFT





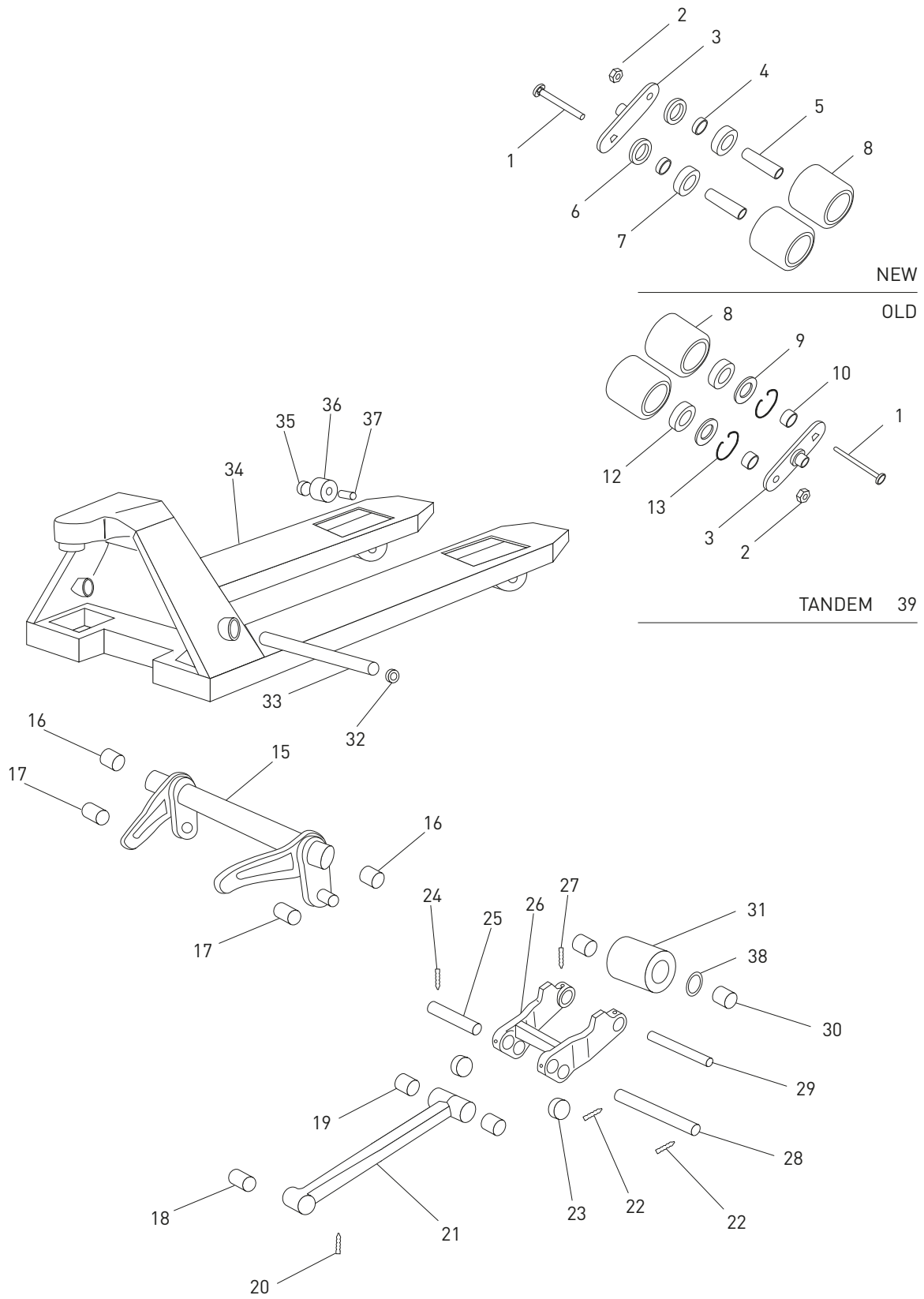
HYDRAULIC UNIT ECOLIFT

Nr	Description	Qty	REF
1	Bushing (nylon) (without collar)	1	147TA4001
2	Elastic pin	1	147TA4002
3	Elastic pin	1	147TA4003
4	Elastic pin	1	147TA4002
5	Lever lowering, tiller	1	147TA4004
6	Chain, hydraulic unit	1	147TA4005
7	Rod, chain release	1	147TA4006
8	Elastic pin	2	147TA4007
9	Spring (lowering)	1	147TA4008
10	Capscrew	2	147TA4009
11	Steel ball, lift cylinder piston pallet truck	1	147TA4010
12	Pin	1	147TA4011
13	O-ring (internal diameter: 15 mm)	1	147TA4012
14	O-ring	1	107TA6974
15	Screw	1	147TA4013
16	Nut	1	147TA4014
17	Elastic pin	1	147TA4015
18	O-ring	1	147TA4016
19	O-ring (internal diameter: 15 mm)	1	147TA4012
20	Screw	1	147TA4017
21	Backup ring (polyurethane)	1	147TA4018
22	Backup ring (polyurethane)	1	147TA4019
23	Valve release, hydraulic unit	1	123TA6826
24	Rod complete, lowering (includes items 6, 7 and 24)	1	107TA6943
25	Circlip	2	123TA6828
26	Pin, control handle pump roller	1	123TA6829
27	Roller, control handle pump	1	123TA6830
28	Elastic pin	1	123TA6831
29	Shaft, handle pivot	1	123TA6832
30	Bushing, handle pivot	2	123TA6833
31A	Housing, pump	1	123TA6834
31B	Hydraulic unit	1	123TA9048
32	Circlip	1	123TA6835
33	Cap, control handle pivot return spring	1	123TA6836
34	Spring, control handle return torsion	1	123TA6837
35	Piston, hydraulic pump unit	1	123TA6838
36	Wiper ring (polyurethane)	1	123TA6839
37	Oil seal (UHS16)	1	123TA6840
38	Body, hydraulic pump unit piston	1	123TA6841
39	Sealing ring (copper) (thickness: 1,5 mm)	1	123TA6842
40	Bushing (without collar)	1	123TA6843
41	Washer (thickness: 2 mm)	1	123TA6844

Nr	Description	Qty	REF
42	Circlip	1	123TA6845
43	Piston, lift cylinder pallet truck	1	123TA6846
44	Wiper ring (polyurethane)	1	123TA6847
45	O-ring	1	123TA6848
46	Body, hydraulic pump unit piston	1	123TA6849
47	O-ring	1	123TA6850
48	Lip seal	1	123TA6851
49	Locking wire	1	123TA6852
50	Cap, rubber	1	123TA6853
51	Tank, hydraulic oil	1	123TA6854
52	Protection, hydraulic pump unit oil tank	1	123TA6855
53	O-ring	1	123TA6856
54	Lever lift control	1	123TA6857
55	Screw, plug	1	123TA6858
56	Screw, plug	2	123TA6859
57	Sealing ring (copper)	1	123TA6860
58A	Bracket, tiller arm	1	123TA9049
58B	Handle assembly	1	123TA9049
59	Valve release, hydraulic unit	1	123TA6862
61	Kit seal, hydraulic unit	1	123TA6863
62	Elastic pin	1	147TA4015
63	Bearing, hydraulic unit pivot	1	107TA6870
64	Spacer, pivot bearing hydraulic pump unit to chassis	1	147TA4020
65	Elastic pin	2	147TA4002
66	Thrust plate, hydraulic pump unit mounting	1	123TA6864
67	Circlip	1	147TA4021
68	Shaft, steer wheel	1	147TA4022
69	Circlip	2	123TA6865
70	Washer (thickness: 3,5 mm)	2	147TA4023
71A	Wheel assembly, steer (nylon)	2	147TA4024
71B	Wheel assembly, steer (polyurethane) (black) (steel rim)	2	147TA4025
71C	Wheel assembly, steer (polyurethane) (black) (aluminium rim)	2	147TA4027
71D	Wheel assembly, steer (rubber)	2	147TA4026
71E	Wheel assembly, steer (polyurethane) (brown) (aluminium rim)	2	147TA4029
72	Circlip	2	147TA4031
73	Shaft, torsion tube to thrust plate	2	123TA6866
74	Ball bearing	4	147TA4028
75	Cap, front wheel hub	2	147TA4030

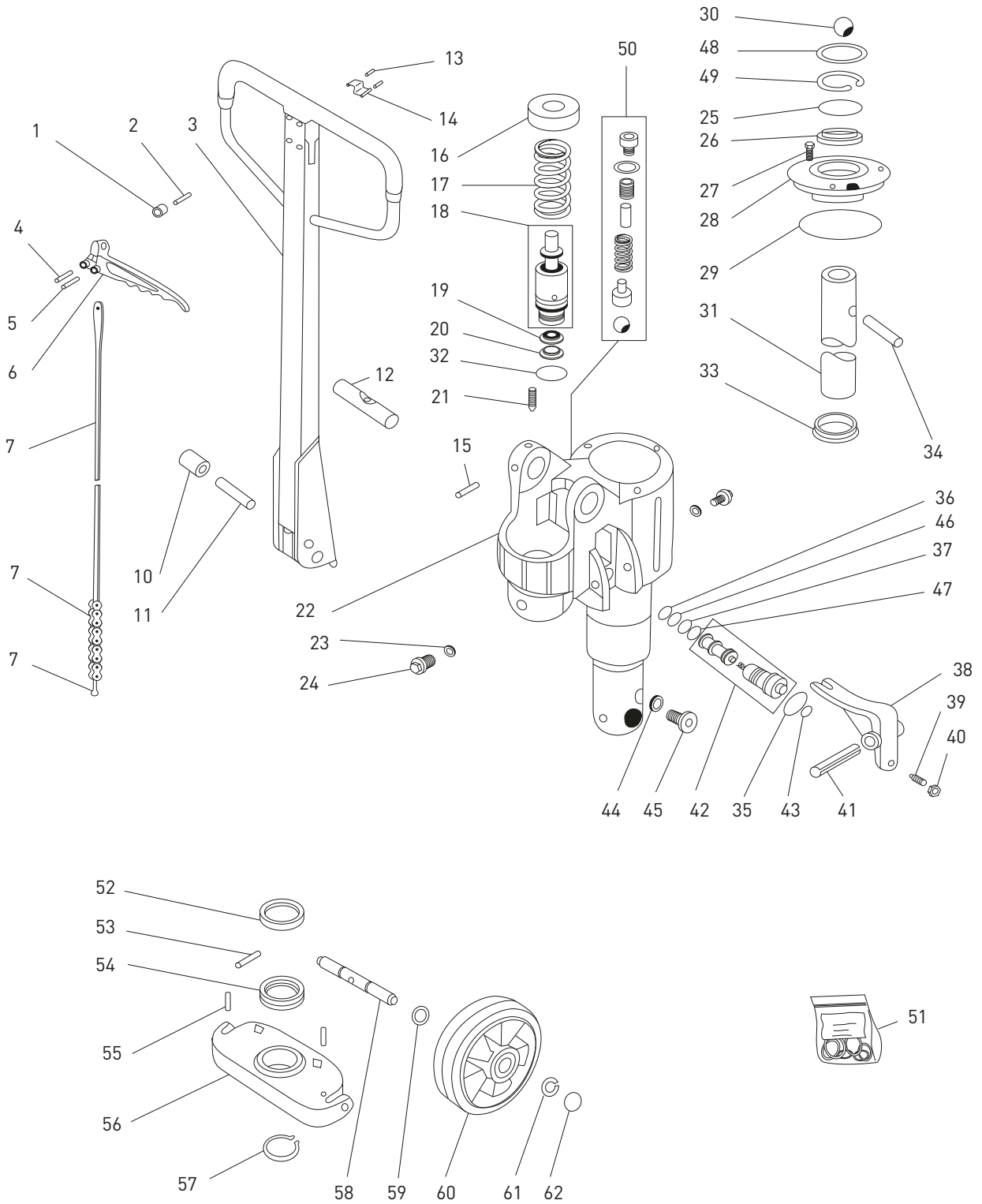


MAIN FRAME ECOLIFT





HYDRAULIC UNIT EUROLIFTER





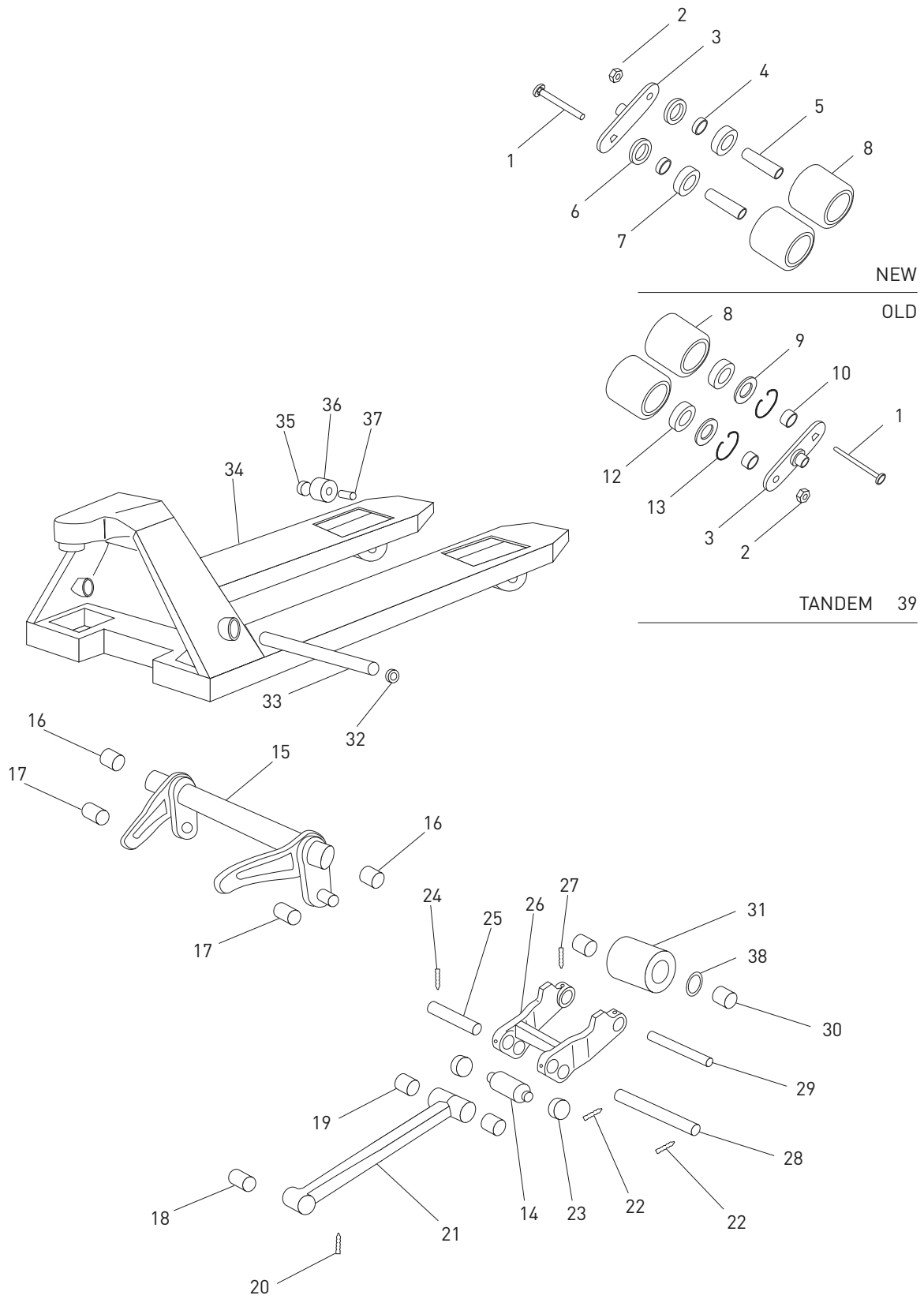
HYDRAULIC UNIT EUROLIFTER

Nr	Description	Qty	REF
1	Bushing (nylon) (without collar)	1	107TA6937
2	Elastic pin	1	107TA6938
3	Bracket, tiller arm	1	107TA6939
4	Elastic pin	1	107TA6940
5	Elastic pin	1	107TA6941
6	Lever lowering, tiller	1	107TA6942
7	Rod complete, lowering	1	107TA6943
10	Roller, control handle pump	1	107TA6947
11	Pin, control handle pump roller	1	107TA6948
12	Shaft, handle pivot	1	107TA6949
13	Elastic pin	1	107TA6950
14	Spring (lowering)	1	107TA6951
15	Elastic pin	1	107TA6958
16	Cap, control handle pivot return spring	1	107TA6952
17	Spring, control handle return torsion	1	107TA6953
18	Plunger (with pump piston)	1	107TA6954
19	Wiper ring (rubber)	1	107TA6955
20	Lip seal	1	107TA6956
21	Screw	1	107TA6957
22A	Pump, hydraulic (for wheels diameter: 180 mm)	1	107TA6959
22B	Pump, hydraulic (for wheels diameter: 200 mm)	1	128TA4331
23	Sealing ring	2	107TA6960
24	Bolt (M10) (total length: 20,5 mm)	2	107TA6961
25	O-ring	1	107TA6962
26	Wiper ring (polyurethane)	1	107TA6963
27	Capscrew	3	107TA6964
28	Body, hydraulic pump unit piston	1	107TA6965
29	O-ring (internal diameter: 62 mm)	1	107TA6966
30	Steel ball	1	107TA6967
31A	Piston, lift cylinder pallet truck (for wheels diameter: 180 mm)	1	107TA6968
31B	Piston, lift cylinder pallet truck (for wheels diameter: 200 mm)	1	128TA4332
32	O-ring (internal diameter: 31 mm)	1	107TA6969
33	Lip seal	1	107TA6970
34	Pin	1	107TA6971

Nr	Description	Qty	REF
35	O-ring (internal diameter: 15 mm)	1	107TA6972
36	O-ring (internal diameter: 15 mm)	1	107TA6973
37	O-ring	1	107TA6974
38	Lever lift control	1	107TA6975
39	Screw	1	107TA6976
40	Nut	1	107TA6977
41	Elastic pin	1	107TA6978
42	Valve release, hydraulic unit	1	107TA6979
43	O-ring	1	107TA6980
44	O-ring (internal diameter: 15 mm)	1	107TA6973
45	Screw	1	107TA6981
47	Backup ring (polyurethane)	1	107TA6983
48	Washer (thickness: 2 mm)	1	107TA6985
49	Circlip (CGH23)	1	107TA6986
50	Valve release, hydraulic unit	1	107TA6984
51	Kit seal, hydraulic unit	1	147TA3695
52	Cap, bearing	1	107TA6924
53	Elastic pin	2	107TA6869
54	Bearing, hydraulic unit pivot	1	107TA6870
55	Elastic pin	2	107TA6871
56	Thrust plate, hydraulic pump unit mounting	1	107TA6872
57	Circlip	1	107TA6873
58	Shaft, steer wheel	1	107TA6874
59	Washer (thickness: 3,5 mm)	2	107TA6875
60A	Wheel assembly, steer (nylon) (diameter: 180 mm)	2	107TA6876
60B	Wheel assembly, steer (nylon) (diameter: 200 mm)	2	124TA9060
60C	Wheel assembly, steer (rubber) (diameter: 180 mm)	2	107TA6878
60D	Wheel assembly, steer (rubber) (diameter: 200 mm)	2	124TA9061
60E	Wheel assembly, steer (polyurethane) (diameter: 180 mm)	2	107TA6879
60F	Wheel assembly, steer (polyurethane) (diameter: 200 mm)	2	124TA9062
61	Circlip	2	107TA6887
62	Bushing (steel) (without collar)	8	107TA6931



MAIN FRAME EUROLIFTER



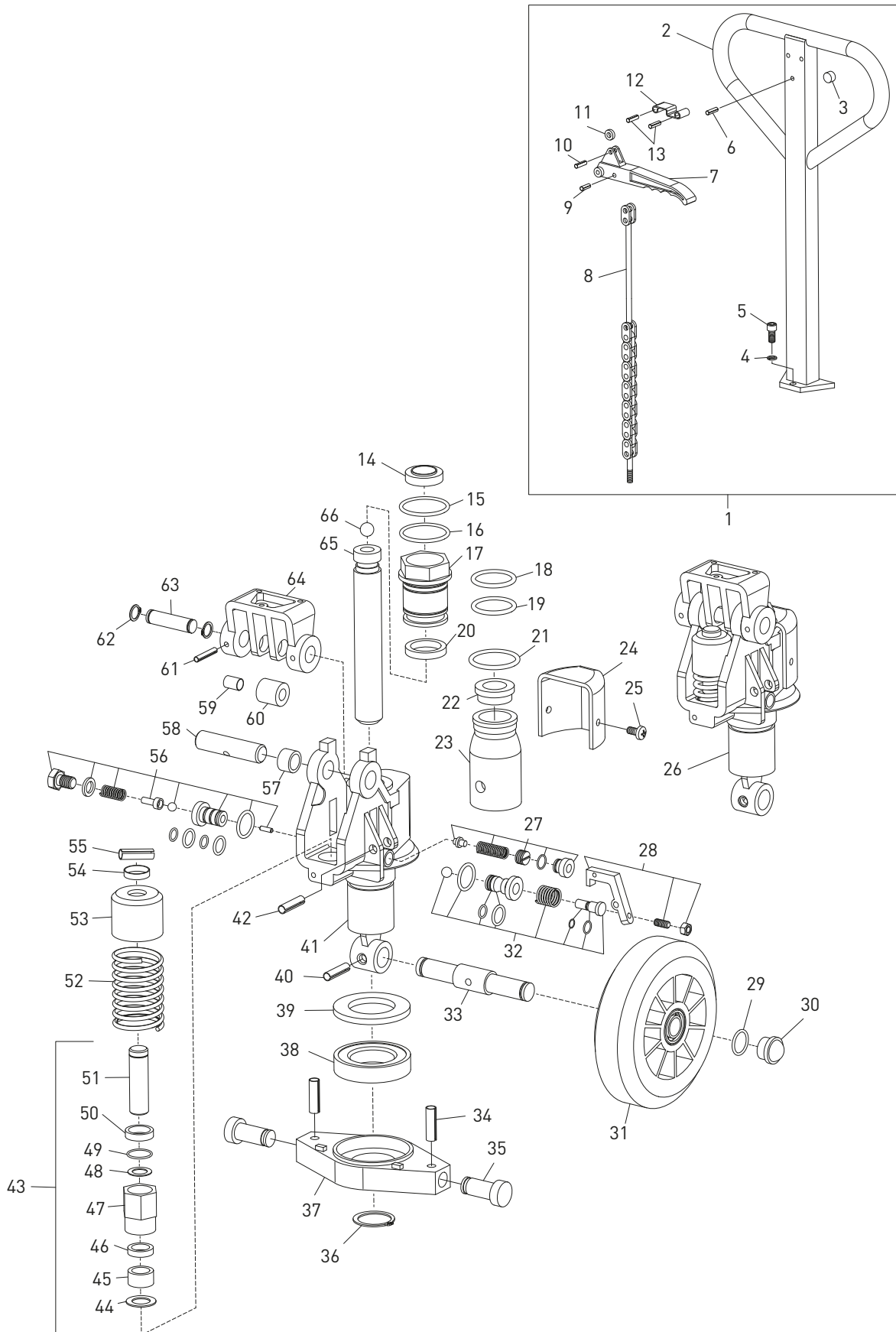


MAIN FRAME EUROLIFTER

Nr	Description	Qty	REF	Nr	Description	Qty	REF
1	Shaft/bolt load wheel	4	107TA6933	32	Circlip	1	107TA6918
2	Nut	4	107TA6936	33	Shaft pivot, torsion tube	1	107TA6919
3	Fork, load wheel	4	107TA6934	34	Frame	1	123TA9047
4	Bushing (steel) (without collar)	8	107TA6906	35	Circlip	2	107TA6921
5	Axle	4	107TA6935	36	Wheel, entry roller	2	107TA6922
6	Cover, bearing	8	123TA9616	37	Spacer, entry roller	2	107TA6923
7	Ball bearing	8	107TA7787	38	Cover, bearing	4	123TA9616
8A	Wheel assembly, load (nylon) (tandem)	4	107TA6925	39A	Bogie assembly (polyurethane) (wheels and carrier)	2	107TA6916
8B	Wheel assembly, load (polyurethane) (tandem)	4	107TA6926	39B	Carrier complete, load wheel (Vulkollan®)	2	107TA6917
8C	Wheel assembly, load (polyurethane) (tandem)	4	107TA6927	39C	Carrier complete, load wheel (nylon)	2	107TA6915
9	Plastic cover	8	107TA6913				
10	Bushing (steel)	8	147TA3696				
12	Ball bearing	8	107TA7787				
13	Snapping	8	107TA6914				
14	Wheel, exit roller	2	124TA7532				
15	Torsion tube	1	107TA8690				
16	Bushing, torsion tube pivot	2	107TA6891				
17	Bushing, push/pull rod non fork end	2	107TA6892				
18	Bushing (copper)	2	107TA6893				
19	Bushing, push/pull rod fork end	4	107TA6894				
20	Elastic pin	2	107TA6896				
21	Push/pull rod assembly, lift structure	2	107TA6897				
22	Elastic pin	4	107TA6898				
23	Exit roller	4	107TA6899				
24	Elastic pin	2	107TA6900				
25	Shaft, push/pull rod fork end	2	107TA6901				
26	Fork, bracket load wheel	2	107TA6902				
27	Elastic pin	2	107TA6903				
28	Shaft, fork load wheel bracket to chassis	2	107TA6904				
29A	Shaft/bolt load wheel	1	107TA6905				
29B	Axle, exit roller	1	107TA6905				
30	Bushing (steel) (without collar)	4	107TA6906				
31A	Wheel assembly, load (nylon) (single)	2	107TA6907				
31B	Wheel assembly, load (polyurethane) (single)	2	107TA6908				
31C	Wheel assembly, load (polyurethane) (single)	2	107TA6909				



HYDRAULIC UNIT HU-LIFT HP20S



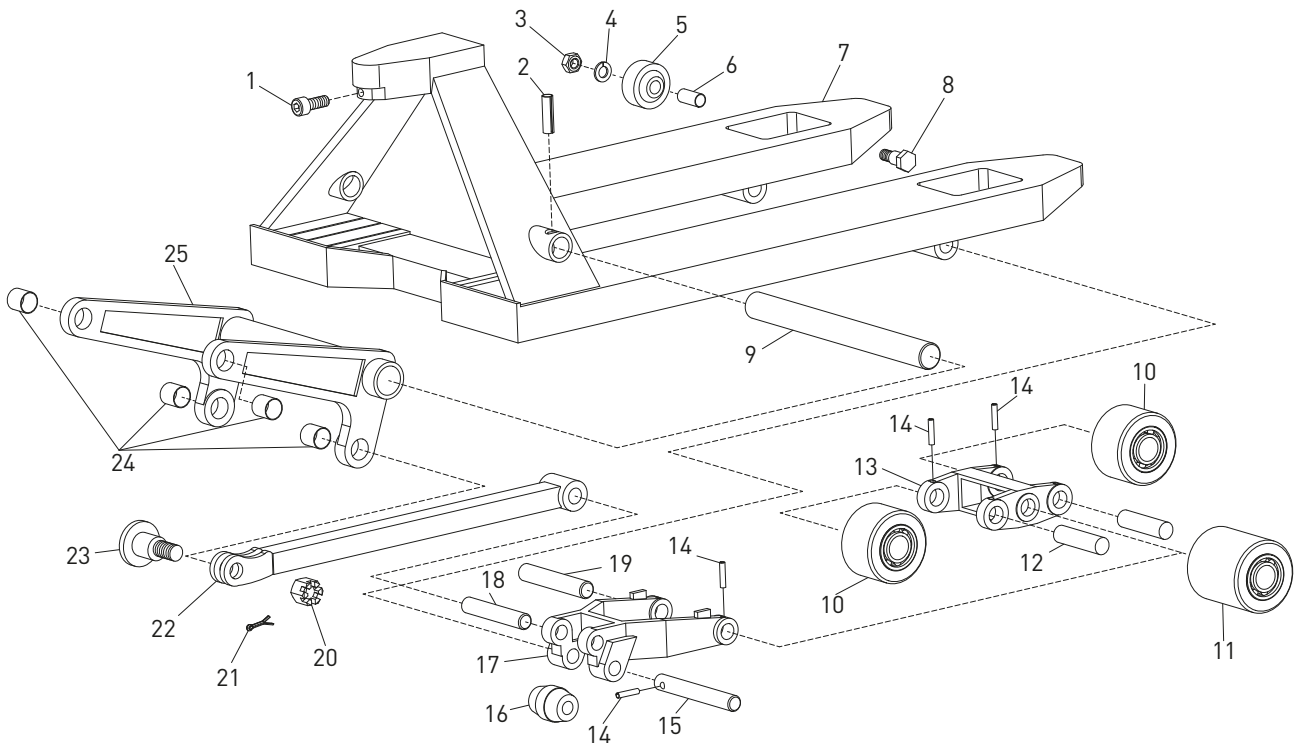


HYDRAULIC UNIT HU-LIFT HP20S

Nr	Description	Qty	REF	Nr	Description	Qty	REF
1	Handle assembly	1	134TA9054	39	Spacer, pivot bearing hydraulic pump unit to chassis	1	134TA9115
2	Bracket, tiller arm	1	134TA9059	40	Elastic pin	1	134TA9094
3	Cushion (rubber)	1	134TA9057	41	Housing, pump	1	134TA9107
4	Lock washer	3	134TA9055	42	Elastic pin	1	134TA9094
5	Screw	3	134TA9056	43	Pump piston assembly (with pump piston)	1	134TA9121
6	Elastic pin	1	134TA9058	44	Sealing ring (copper) (thickness: 1,5 mm)	1	134TA9106
7	Lever lowering, tiller	1	134TA9065	45	O-ring	1	134TA9105
8	Rod complete, lowering	1	134TA9066	46	Lip seal	1	134TA9104
9	Elastic pin	1	134TA9064	47	Pump cylinder	1	134TA9103
10	Elastic pin	1	134TA9063	48	O-ring	1	134TA9102
11	Roller (nylon)	1	134TA9062	49	Backup ring	1	134TA9101
12	Spring	1	134TA9060	50	Oil seal	1	134TA9100
13	Elastic pin	2	134TA9061	51	Piston, hydraulic pump unit	1	134TA9099
14	Oil seal	1	134TA9067	52	Spring, control handle return torsion	1	134TA9098
15	Backup ring	1	134TA9068	53	Cap, control handle pivot return spring	1	134TA9097
16	O-ring	1	134TA9069	54	Cover, retaining	1	134TA9096
17	Body, hydraulic pump unit piston	1	134TA9070	55	Elastic pin	1	134TA9095
18	O-ring	1	134TA9072	56	Valve release, hydraulic unit	1	134TA9090
19	O-ring	1	134TA9073	57	Bushing, handle pivot	2	134TA9083
20	Lip seal	1	134TA9071	58	Shaft, handle pivot	1	134TA9082
21	O-ring	1	134TA9084	59	Bushing, control handle pump roller	1	134TA9078
22	Fill plug	1	134TA9085	60	Roller, control handle pump	1	134TA9077
23	Tank	1	134TA9086	61	Elastic pin	1	134TA9079
24	Protection, hydraulic pump unit oil tank	1	134TA9087	62	Circlip	2	134TA9081
25	Screw	2	134TA9088	63	Pin, control handle pump roller	1	134TA9080
26	Hydraulic unit	1	134TA9089	64	Bracket, handle mount	1	134TA9076
27	Valve release, hydraulic unit	1	134TA9091	65	Piston, lift cylinder pallet truck	1	134TA9075
28	Lever lift control	1	134TA9092	66	Steel ball, lift cylinder piston pallet truck	1	134TA9074
29	Circlip	2	134TA9113		Kit seal, hydraulic unit	1	134TA9122
30	Cap, front wheel hub	2	134TA9114				
31A	Wheel assembly, steer	2	134TA9109				
31B	Wheel assembly, steer	2	134TA9110				
31C	Wheel assembly, steer	2	134TA9111				
31D	Wheel assembly, steer	2	134TA9112				
32	Valve release, hydraulic unit	1	134TA9093				
33	Shaft, steer wheel	1	134TA9108				
34	Elastic pin	2	134TA9117				
35	Dowel pin	2	134TA9118				
36	Circlip	1	134TA9120				
37	Thrust plate, hydraulic pump unit mounting	1	134TA9119				
38	Bearing, hydraulic unit pivot	1	134TA9116				



MAIN FRAME HU-LIFT HP20S



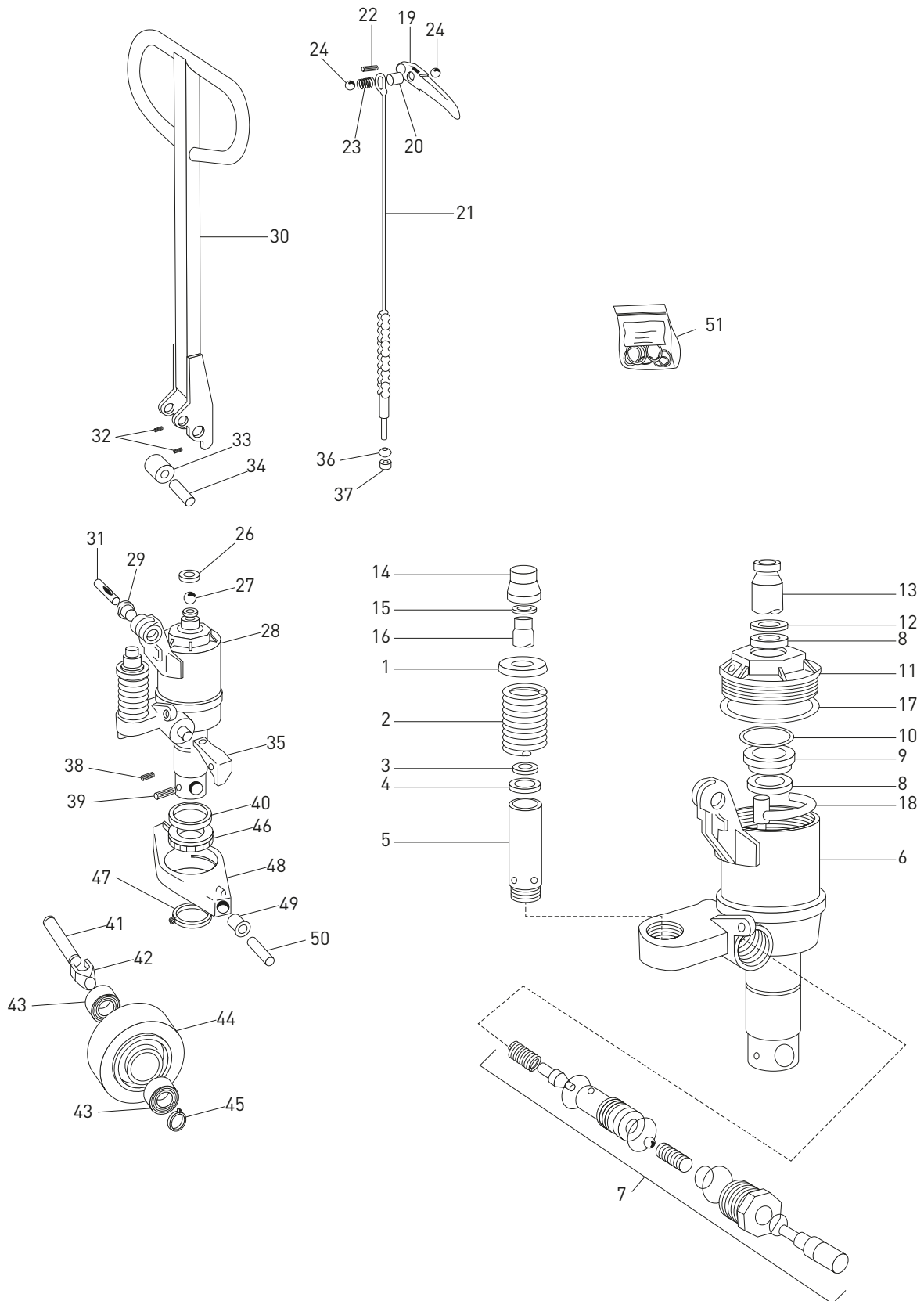


MAIN FRAME HU-LIFT HP20S

Nr	Description	Qty	REF	Nr	Description	Qty	REF
1	Screw	1	134TA9125				
2	Elastic pin	1	134TA9126				
3	Nut	2	134TA9128				
4	Lock washer	2	134TA9129				
5	Wheel, entry roller	2	134TA9130				
6	Spacer, entry roller	2	134TA9131				
7	Chassis	1	134TA9132				
8	Bolt	2	134TA9133				
9	Shaft pivot, torsion tube	1	134TA9127				
10A	Wheel assembly, load	1	134TA9137				
10B	Wheel assembly, load	1	134TA9138				
10C	Wheel assembly, load	1	134TA9139				
11A	Wheel assembly, load	1	134TA9140				
11B	Wheel assembly, load	1	134TA9141				
11C	Wheel assembly, load	1	134TA9142				
12	Shaft/bolt load wheel	4	134TA9136				
13	Fork, load wheel	2	134TA9135				
14	Elastic pin	4 or 8	134TA9134				
15A	Shaft, fork load wheel bracket to chassis	2	134TA9143				
15B	Axle, exit roller	2	134TA9143				
16	Wheel, exit roller	2	134TA9144				
17	Fork, bracket load wheel	2	134TA9145				
18A	Shaft, fork load wheel bracket to chassis	2	134TA9147				
18B	Axle, exit roller	2	134TA9147				
19	Shaft/bolt load wheel	2	134TA9146				
20	Nut	2	134TA9148				
21	Cotter pin	2	134TA9149				
22	Push/pull rod assembly, lift structure	2	134TA9150				
23	Shaft, push/pull rod non fork end	2	134TA9151				
24A	Bushing, torsion tube to thrust plate	4	134TA9124				
24B	Bushing, push/pull rod non fork end	4	134TA9124				
24C	Bushing, torsion tube pivot	4	134TA9124				
25	Torsion tube	1	134TA9123				



HYDRAULIC UNIT HYSTER PM22 EASYLIFT



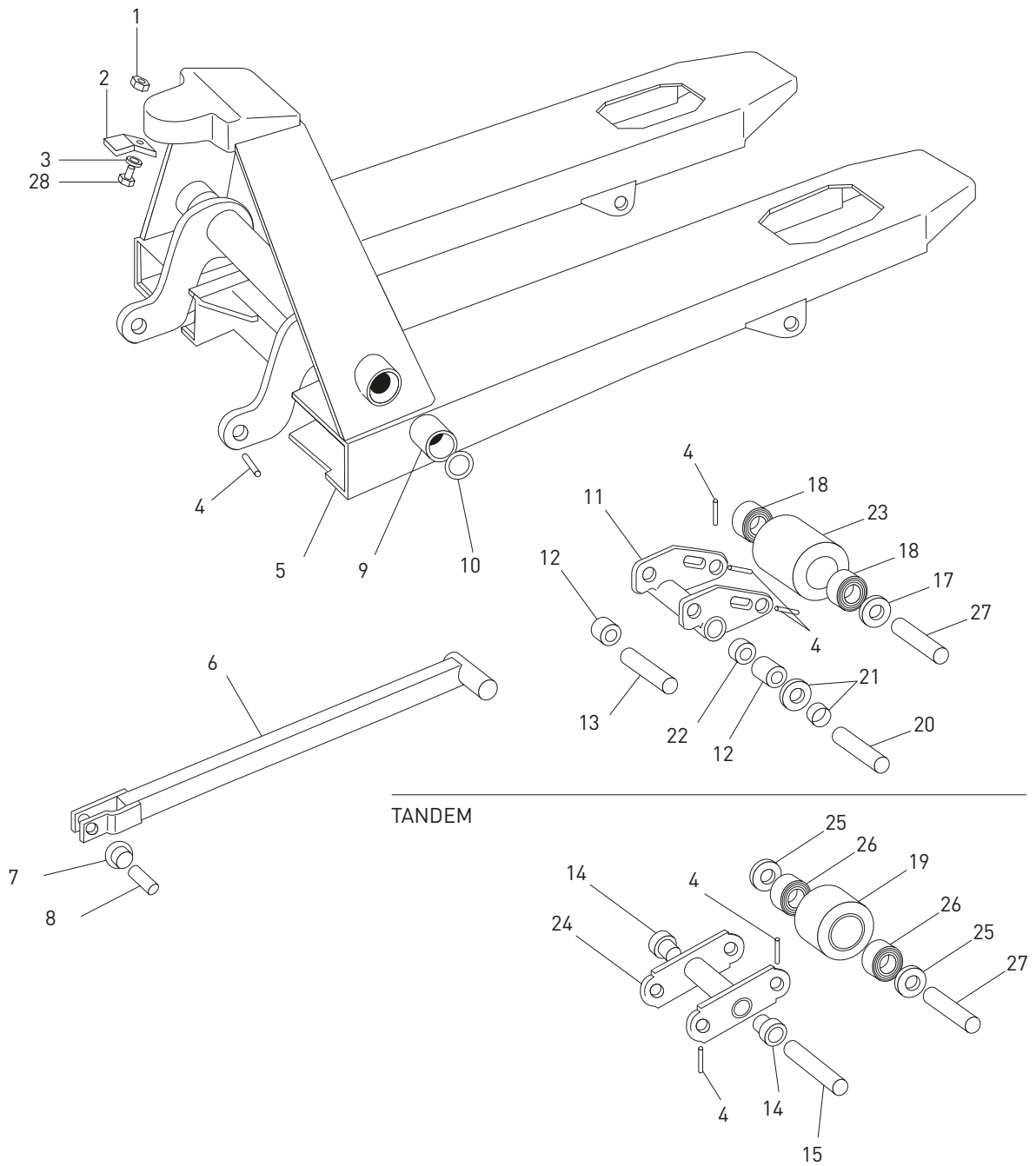


HYDRAULIC UNIT HYSTER PM22 EASYLIFT

Nr	Description	Qty	REF	Nr	Description	Qty	REF
1	Cap, control handle pivot return spring	1	124TA8757	40	Spacer, pivot bearing hydraulic pump unit to chassis	1	124TA8745
2	Spring, control handle return torsion	1	124TA8758	41	Shaft, steer wheel	1	124TA8765
3	Wiper ring (polyurethane with metal outer ring)	1	124TA8660	42	Wheel spacer	2	124TA8747
4	Lip seal	1	124TA8659	43	Ball bearing	4	124TA8748
5	Body, hydraulic pump unit piston	1	124TA8759	44A	Wheel assembly, steer (rubber)	2	124TA8193
6	Body, hydraulic pump unit piston	1	124TA8760	44B	Wheel assembly, steer (polyurethane)	2	124TA8195
7	Valve kit	2	124TA8761	44C	Wheel assembly, steer (nylon)	2	124TA8197
8	Lip seal	1	124TA8649	45	Circlip	2	124TA8199
9	Guide	1	124TA8715	46	Bearing, hydraulic unit pivot	1	124TA8201
10	Circlip	1	124TA8716	47	Circlip	1	124TA8203
11	Cap, pump body	1	124TA8717	48	Thrust plate, hydraulic pump unit mounting	1	124TA8205
12	Wiper ring (polyurethane)	1	124TA8718	49	Bushing, torsion tube to thrust plate	2	124TA8207
13	Piston, lift cylinder pallet truck	1	124TA8719	50	Shaft, torsion tube to thrust plate	2	124TA8209
14	Bracket (roller)	1	124TA8720	51	Kit seal, hydraulic unit	1	124TA8414
15	Circlip	1	124TA8721				
16	Piston, hydraulic pump unit	1	124TA8762				
17	O-ring	1	124TA8723				
18	Pipe	1	124TA8724				
19	Lever lowering, tiller	1	124TA8725				
20	Bushing	1	124TA8726				
21	Rod complete, lowering	1	124TA8728				
22	Elastic pin	1	124TA8727				
23	Spring	1	124TA8729				
24	Steel ball	2	124TA8730				
26	Washer (thickness: 6 mm)	1	124TA8731				
27	Steel ball, lift cylinder piston pallet truck	1	124TA8732				
28	Hydraulic unit	1	124TA8763				
29	Bushing, handle pivot	2	124TA8734				
30	Bracket, tiller arm	1	124TA8735				
31	Shaft, handle pivot	1	124TA8736				
32	Screw	2	124TA8737				
33	Roller, control handle pump	1	124TA8738				
34	Pin, control handle pump roller	1	124TA8739				
35	Lever lift control	1	124TA8740				
36	Ball joint	1	124TA8741				
37	Nut	1	124TA8742				
38	Elastic pin	1	124TA8743				
39	Elastic pin	1	124TA8764				



MAIN FRAME HYSTER PM22 EASYLIFT



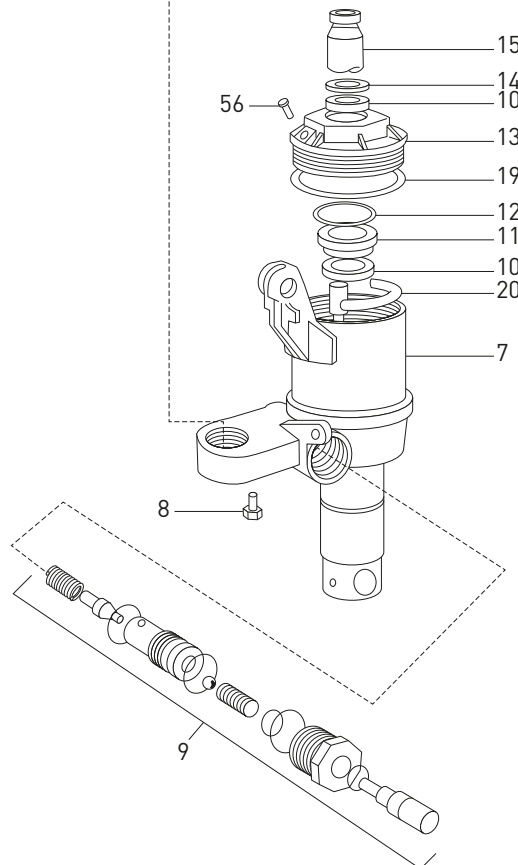
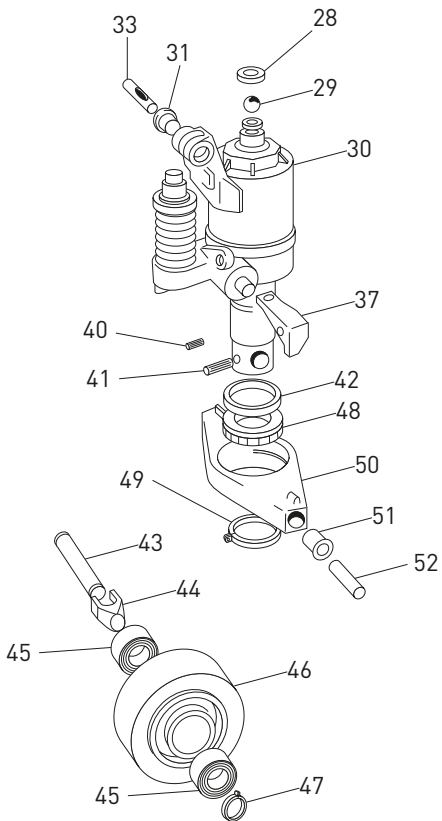
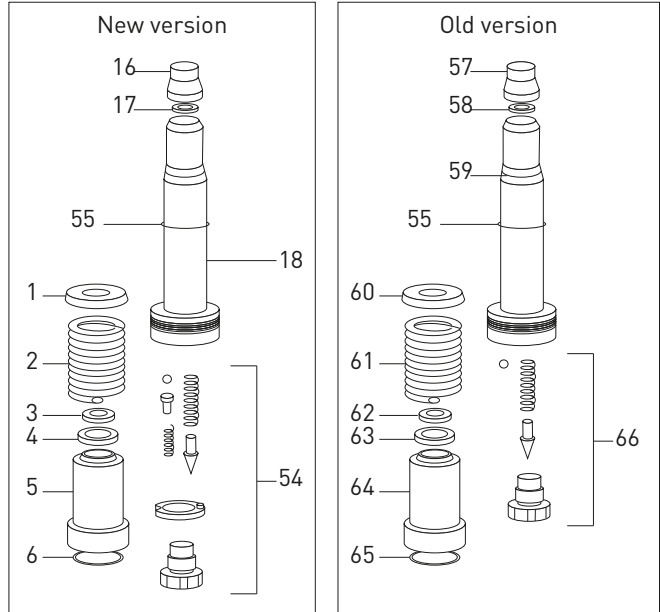
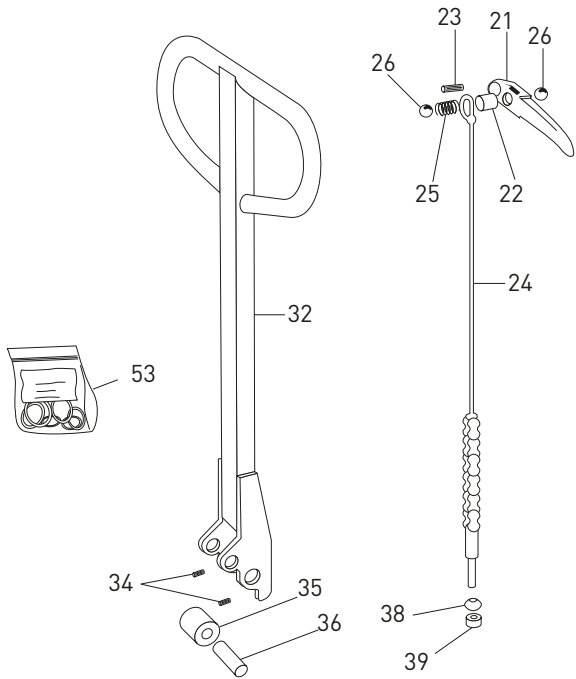


MAIN FRAME HYSTER PM22 EASYLIFT

Nr	Description	Qty	REF	Nr	Description	Qty	REF
1	Nut	2	124TA8657	22	Bushing (without collar)	2	124TA8792
2	Bracket	1	124TA8766	23A	Wheel assembly, load (polyurethane) (single)	2	124TA8793
3	Lock washer	2	124TA8767	23B	Wheel assembly, load (nylon) (single)	2	124TA8794
4	Elastic pin	10	124TA8768	23C	Wheel assembly, load (polyurethane) (single)	2	124TA8795
6A	Push/pull rod, lift structure (fork length: 950 mm)	2	124TA8769	24	Fork, load wheel	2	124TA8796
6B	Push/pull rod, lift structure (fork length: 1120 mm)	2	124TA8770	25	Washer (thickness: 0,6 mm)	8	124TA8474
6C	Push/pull rod, lift structure (fork length: 600 mm)	2	124TA8771	26	Ball bearing	8	124TA8476
6D	Push/pull rod, lift structure (fork length: 800 mm)	2	124TA8772	27	Shaft/bolt load wheel	2	124TA8478
6E	Push/pull rod, lift structure (fork length: 1300 mm)	2	124TA8773	28	Bolt (M16) (total length: 20,2 mm)	2	124TA8480
6F	Push/pull rod, lift structure (fork length: 1500 mm)	2	124TA8774				
6G	Push/pull rod, lift structure (fork length: 1800 mm)	2	124TA8775				
6H	Push/pull rod, lift structure (fork length: 2000 mm)	2	124TA8776				
6I	Push/pull rod, lift structure (fork length: 2500 mm)	2	124TA8777				
7	Bushing, push/pull rod non fork end	4	124TA8734				
8	Shaft, push/pull rod non fork end	2	124TA8778				
9	Bushing, torsion tube pivot	2	124TA8779				
10	Circlip	2	124TA8780				
11	Fork, bracket load wheel	2	124TA8781				
12	Bushing	8	124TA8782				
13	Shaft, push/pull rod fork end	2	124TA8783				
14	Bushing, load wheel tandem pivot	4	124TA8784				
15	Shaft, center, fork load wheel	2	124TA8478				
16	Shaft/bolt load wheel	4	124TA8785				
17	Washer (height: 6 mm) (with collar)	4	124TA8786				
18	Ball bearing	4	124TA8476				
19A	Wheel assembly, load (nylon) (tandem)	4	124TA8787				
19B	Wheel assembly, load (polyurethane) (tandem)	4	124TA8788				
19C	Wheel assembly, load (polyurethane) (without bearings) (tandem)	4	124TA8789				
20	Shaft, fork load wheel bracket to chassis	2	124TA8790				
21	Wheel, exit roller	4	124TA8802				



HYDRAULIC UNIT HYSTER PM22 QUICKLIFT





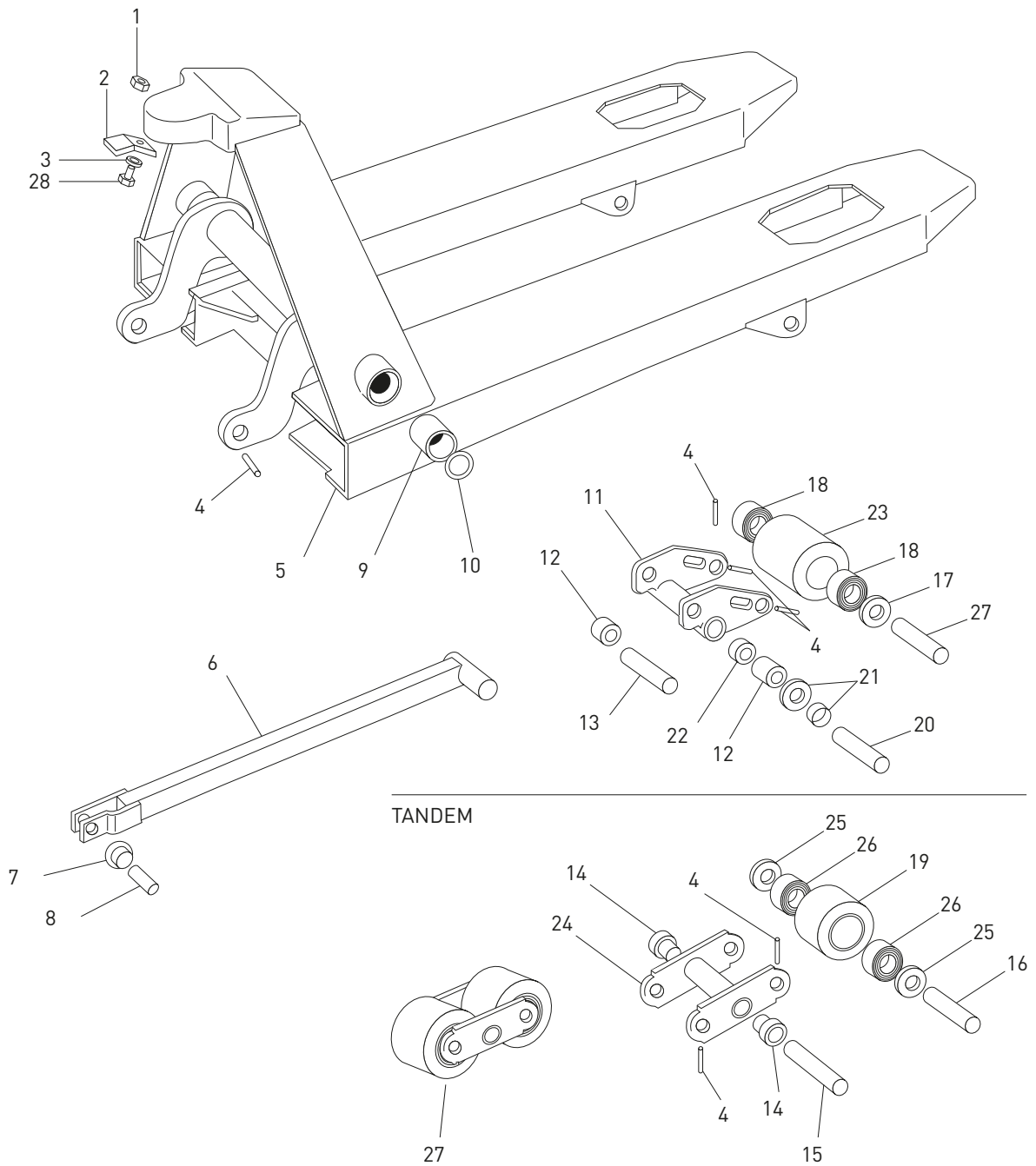
HYDRAULIC UNIT HYSTER PM22 QUICKLIFT

Nr	Description	Qty	REF
1	Cap, control handle pivot return spring	1	<u>124TA8709</u>
2	Spring, control handle return torsion	1	<u>124TA8662</u>
3	Wiper ring (polyurethane with metal outer ring)	1	<u>124TA8660</u>
4	Lip seal	1	<u>124TA8659</u>
5	Body, hydraulic pump unit piston	1	<u>124TA8710</u>
6	O-ring	1	<u>124TA8711</u>
7	Housing, pump	1	<u>124TA8712</u>
8	Screw	4	<u>124TA8713</u>
9	Valve release, hydraulic unit	1	<u>124TA8714</u>
10	Lip seal	2	<u>124TA8649</u>
11	Guide	1	<u>124TA8715</u>
12	Circlip	1	<u>124TA8716</u>
13	Body, hydraulic pump unit piston	1	<u>124TA8717</u>
14	Wiper ring (polyurethane)	1	<u>124TA8718</u>
15	Piston, lift cylinder pallet truck	1	<u>124TA8719</u>
16	Bracket (roller)	1	<u>124TA8720</u>
17	Circlip	1	<u>124TA8721</u>
18	Piston, hydraulic pump unit	1	<u>124TA8722</u>
19	O-ring	1	<u>124TA8723</u>
20	Pipe	1	<u>124TA8724</u>
21	Lever lowering, tiller	1	<u>124TA8725</u>
22	Bushing	1	<u>124TA8726</u>
23	Elastic pin	1	<u>124TA8727</u>
24	Rod complete, lowering	1	<u>124TA8728</u>
25	Spring	1	<u>124TA8729</u>
26	Steel ball	2	<u>124TA8730</u>
28	Washer (thickness: 6 mm)	1	<u>124TA8731</u>
29	Steel ball, lift cylinder piston pallet truck	1	<u>124TA8732</u>
30	Pump assembly (quicklift) (complete with tiller)	1	<u>124TA8733</u>
31	Bushing, handle pivot	2	<u>124TA8734</u>
32	Bracket, tiller arm	1	<u>124TA8735</u>
33	Shaft, handle pivot	1	<u>124TA8736</u>
34	Screw	2	<u>124TA8737</u>
35	Roller, control handle pump	1	<u>124TA8738</u>
36	Pin, control handle pump roller	1	<u>124TA8739</u>
37	Lever lift control	1	<u>124TA8740</u>
38	Ball joint	1	<u>124TA8741</u>
39	Nut	1	<u>124TA8742</u>

Nr	Description	Qty	REF
40	Elastic pin	1	<u>124TA8743</u>
41	Axle	1	<u>124TA8744</u>
42	Spacer, pivot bearing hydraulic pump unit to chassis	1	<u>124TA8745</u>
43	Shaft, steer wheel	1	<u>124TA8746</u>
44	Wheel spacer	2	<u>124TA8747</u>
45	Ball bearing	4	<u>124TA8748</u>
46A	Wheel assembly, steer (rubber)	2	<u>124TA8193</u>
46B	Wheel assembly, steer (polyurethane)	2	<u>124TA8195</u>
46C	Wheel assembly, steer (nylon)	2	<u>124TA8197</u>
47	Circlip	2	<u>124TA8199</u>
48	Bearing, hydraulic unit pivot	1	<u>124TA8201</u>
49	Circlip	1	<u>124TA8203</u>
50	Thrust plate, hydraulic pump unit mounting	1	<u>124TA8205</u>
51	Bushing, torsion tube to thrust plate	2	<u>124TA8207</u>
52	Shaft, torsion tube to thrust plate	2	<u>124TA8209</u>
53	Kit seal, hydraulic unit	1	<u>124TA8211</u>
54	Valve kit	1	<u>124TA8213</u>
55	O-ring	1	<u>124TA8215</u>
56	Plug	1	<u>124TA8217</u>
57	Bracket (roller)	1	<u>124TA8720</u>
58	Circlip	1	<u>124TA6795</u>
59	Piston, hydraulic pump unit	1	<u>124TA6880</u>
60	Washer (steel) (thickness: 2 mm)	1	<u>124TA6870</u>
61	Spring	1	<u>124TA6871</u>
62	Wiper ring (polyurethane with metal outer ring)	1	<u>124TA6778</u>
63	Lip seal	1	<u>124TA6780</u>
64	Body, hydraulic pump unit piston	1	<u>124TA6872</u>
65	O-ring	1	<u>124TA6873</u>
66	Valve release, hydraulic unit	1	<u>124TA6877</u>



MAIN FRAME HYSTER PM22 QUICKLIFT





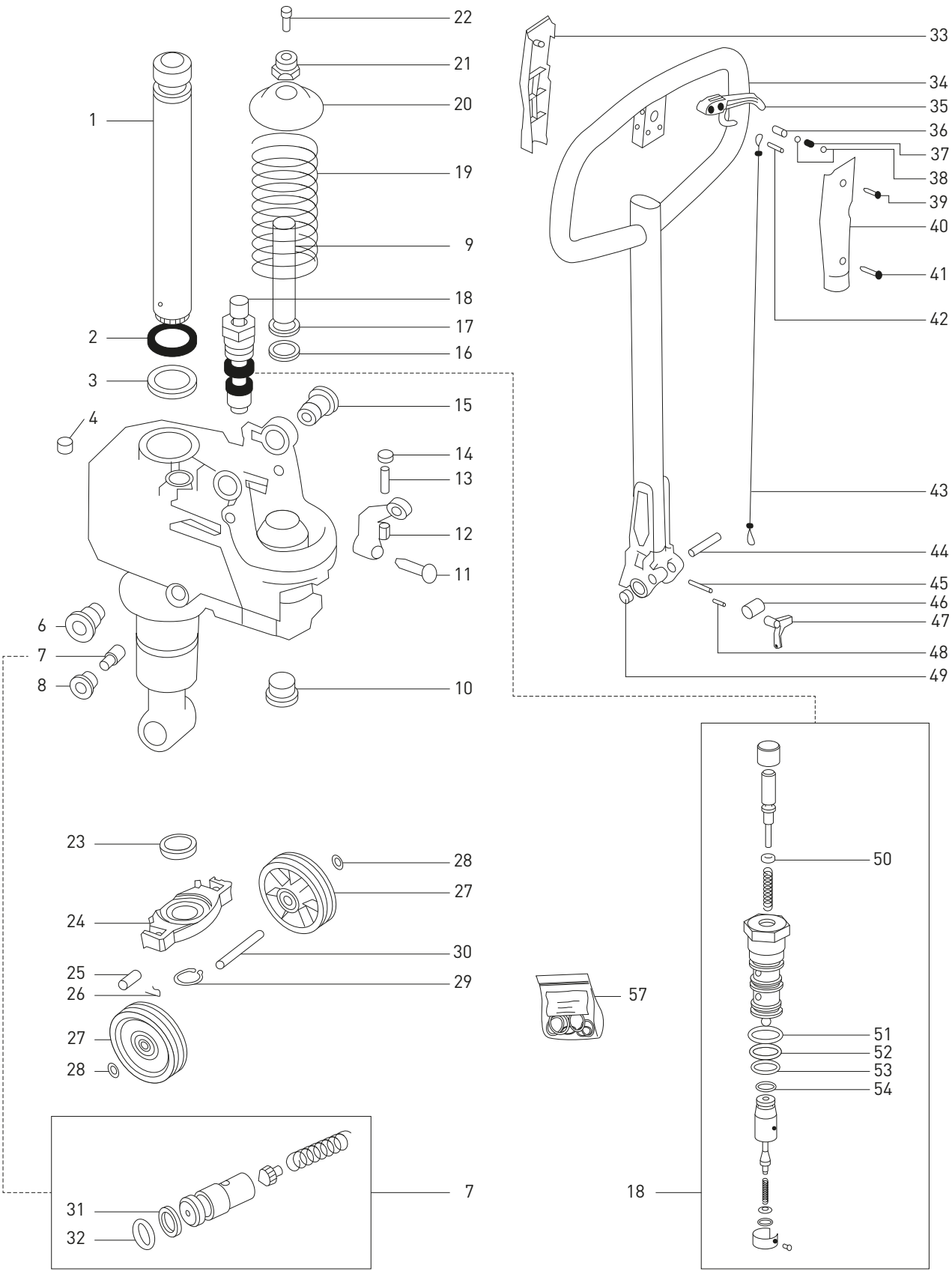
MAIN FRAME HYSTER PM22 QUICKLIFT

Nr	Description	Qty	REF
1	Nut	2	<u>124TA8657</u>
2	Bracket	1	<u>124TA8766</u>
3	Lock washer	2	<u>124TA8767</u>
4	Elastic pin	10	<u>124TA8768</u>
6A	Push/pull rod, lift structure (fork length: 950 mm)	2	<u>124TA8769</u>
6B	Push/pull rod, lift structure (fork length: 1120 mm)	2	<u>124TA8770</u>
6C	Push/pull rod, lift structure (fork length: 600 mm)	2	<u>124TA8771</u>
6D	Push/pull rod, lift structure (fork length: 800 mm)	2	<u>124TA8772</u>
6E	Push/pull rod, lift structure (fork length: 1300 mm)	2	<u>124TA8773</u>
6F	Push/pull rod, lift structure (fork length: 1500 mm)	2	<u>124TA8774</u>
6G	Push/pull rod, lift structure (fork length: 1800 mm)	2	<u>124TA8775</u>
6H	Push/pull rod, lift structure (fork length: 2000 mm)	2	<u>124TA8776</u>
6I	Push/pull rod, lift structure (fork length: 2500 mm)	2	<u>124TA8777</u>
7	Bushing, push/pull rod non fork end	4	<u>124TA8734</u>
8	Shaft, push/pull rod non fork end	2	<u>124TA8778</u>
9	Bushing, torsion tube pivot	2	<u>124TA8779</u>
10	Circlip	2	<u>124TA8780</u>
11	Fork, bracket load wheel	2	<u>124TA8781</u>
12	Bushing, push/pull rod non fork end	8	<u>124TA8782</u>
13	Shaft, push/pull rod non fork end	2	<u>124TA8783</u>
14	Bushing, load wheel tandem pivot	4	<u>124TA8784</u>
15	Shaft, center, fork load wheel	2	<u>124TA8478</u>
16	Shaft/bolt load wheel	4	<u>124TA8785</u>
17	Washer (height: 6 mm) (with collar)	4	<u>124TA8786</u>
18	Ball bearing	4	<u>124TA8476</u>
19A	Wheel assembly, load (nylon) (tandem)	4	<u>124TA8787</u>
19B	Wheel assembly, load (polyurethane) (tandem)	4	<u>124TA8788</u>
19C	Wheel assembly, load (polyurethane) (without bearings) (tandem)	4	<u>124TA8789</u>
20	Shaft, fork load wheel bracket to chassis	2	<u>124TA8790</u>

Nr	Description	Qty	REF
21	Wheel, exit roller	4	<u>124TA8802</u>
22	Bushing (without collar)	2	<u>124TA8792</u>
23A	Wheel assembly, load (polyurethane) (single)	2	<u>124TA8793</u>
23B	Wheel assembly, load (nylon) (single)	2	<u>124TA8794</u>
23C	Wheel assembly, load (polyurethane) (single)	2	<u>124TA8795</u>
24	Fork, load wheel	2	<u>124TA8796</u>
25	Washer (thickness: 0,6 mm)	8	<u>124TA8474</u>
26	Ball bearing	8	<u>124TA8476</u>
27	Shaft/bolt load wheel	2	<u>124TA8478</u>
28	Bolt (M16) (total length: 20,2 mm)	2	<u>124TA8480</u>



HYDRAULIC UNIT HYSTER PM23 EASYLIFT



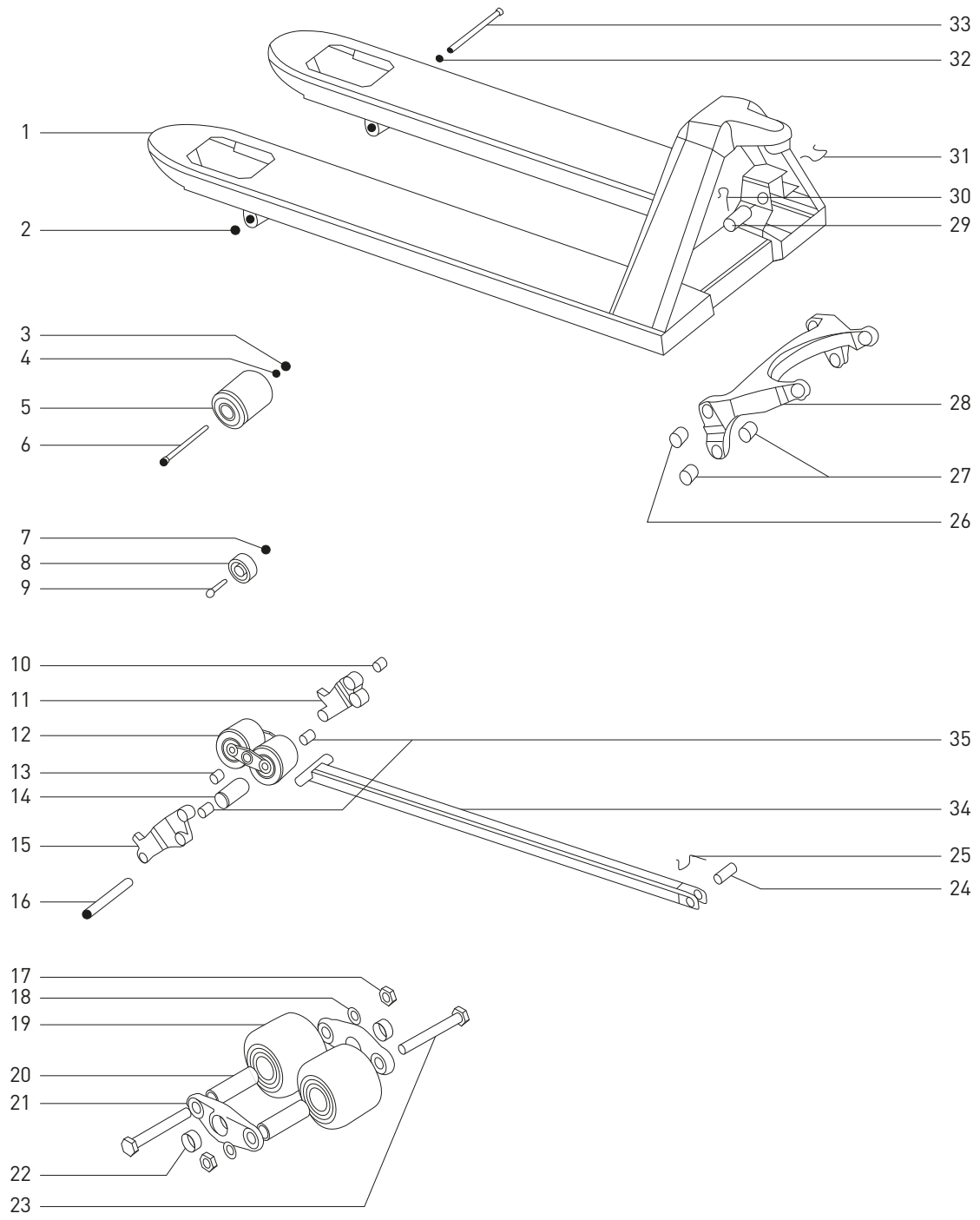


HYDRAULIC UNIT HYSTER PM23 EASYLIFT

Nr	Description	Qty	REF	Nr	Description	Qty	REF
1	Piston, lift cylinder pallet truck	1	124TA8648	37	Spring	1	124TA8676
2	Wiper ring (polyurethane)	1	147TA3683	38	Ball bearing	2	124TA8677
3	Lip seal	1	124TA8649	39	Screw	1	124TA8678
4	Plug	1	124TA8650	40	Cover	1	124TA8679
5	Housing	1	124TA8797	41	Screw	1	124TA8680
6	Plug	1	124TA8651	42	Elastic pin	1	124TA8681
7	Valve release, hydraulic unit	1	124TA8652	43	Rod complete, lowering	1	124TA8118
8	Screw, plug (M14)	1	124TA8653	44	Pin, control handle pump roller	1	124TA8119
9	Piston, hydraulic pump unit	1	124TA8798	45	Elastic pin	1	124TA8121
10	Screw, plug	1	124TA8799	46	Roller, control handle pump	1	124TA8123
11	Screw	1	124TA8654	47	Lever lift control	1	124TA8124
12	Lever lift control	1	124TA8655	48	Elastic pin	1	124TA8126
13	Screw	1	124TA8656	49	Bushing, handle pivot	2	124TA8128
14	Nut	1	124TA8657	50	O-ring	1	124TA5704
15	Shaft, control handle pivot RH	1	124TA8658	51	O-ring	1	147TA3682
16	Lip seal	1	124TA8659	52	O-ring	1	124TA5707
17	Wiper ring (polyurethane with metal outer ring)	1	124TA8660	53	O-ring	1	124TA5707
18	Valve release, hydraulic unit	1	124TA8661	54	O-ring	1	124TA5708
19	Spring, control handle return torsion	1	124TA8662	55	Hydraulic unit	1	124TA8522
20	Washer (height: 18,5 mm)	1	124TA8663	56	Handle assembly	1	124TA8524
21	Bracket	1	124TA8664	57	Kit seal, hydraulic unit	1	124TA8526
22	Screw	1	124TA8665				
23	Bearing, hydraulic unit pivot	1	124TA8666				
24	Thrust plate, hydraulic pump unit mounting	1	124TA8667				
25	Shaft, push/pull rod non fork end	1	124TA8668				
26	Spring	4	124TA8669				
27A	Wheel assembly, steer (rubber)	2	124TA5690				
27B	Wheel assembly, steer (polyurethane)	2	124TA8800				
27C	Wheel assembly, steer (nylon)	2	124TA5692				
28	Circlip	2	124TA8670				
29	Circlip	1	124TA8671				
30	Elastic pin	1	124TA8672				
31	Backup ring	1	124TA5696				
32	O-ring	1	147TA3681				
33	Cover	1	124TA8801				
34	Bracket, tiller arm	1	124TA8673				
35	Lever lowering, tiller	1	124TA8674				
36	Bushing	1	124TA8675				



MAIN FRAME HYSTER PM23 EASYLIFT



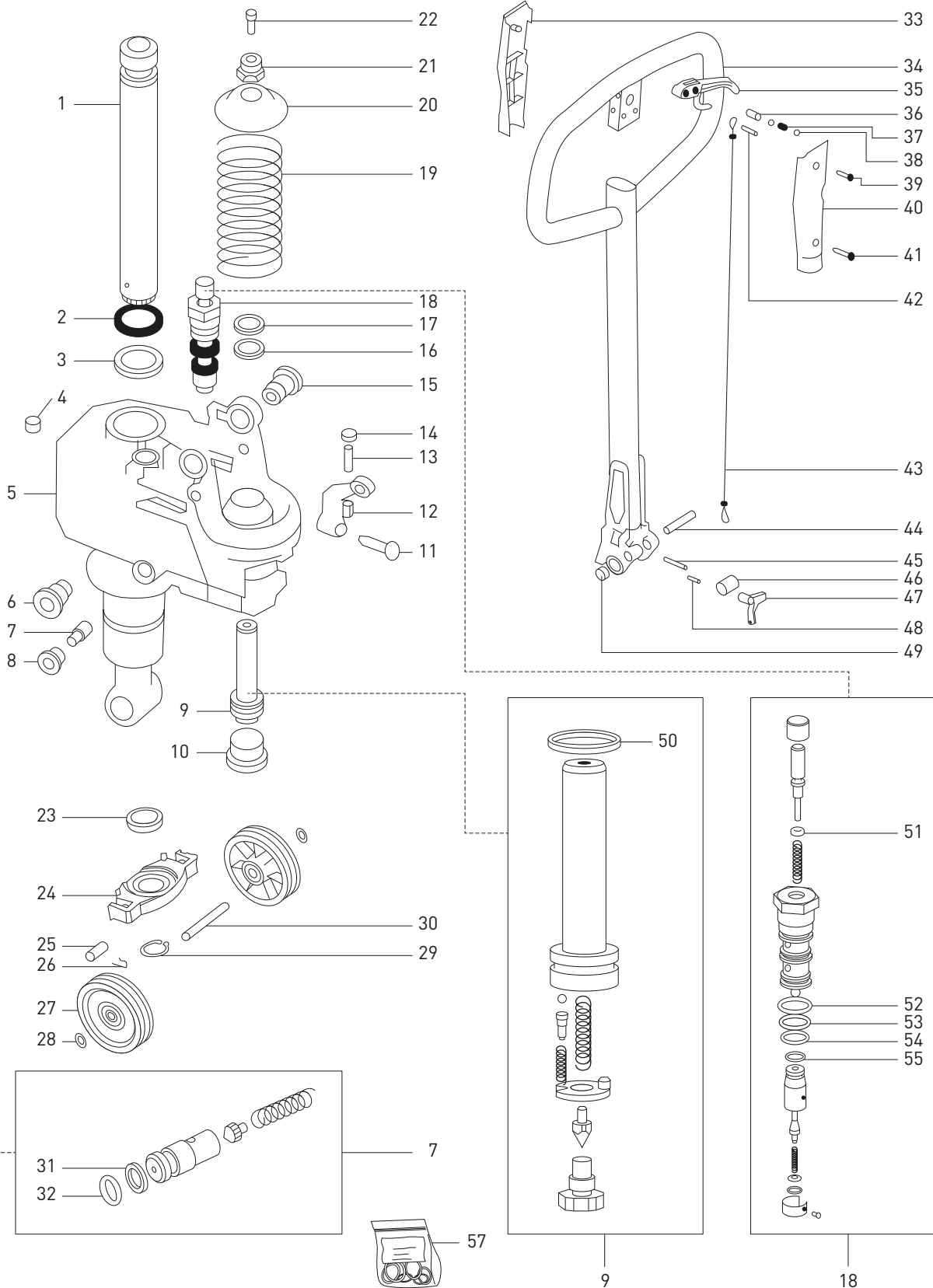


MAIN FRAME HYSTER PM23 EASYLIFT

Nr	Description	Qty	REF	Nr	Description	Qty	REF
2	Nut	2	124TA8682	28	Torsion tube	1	124TA8705
3	Nut, load wheel	2	124TA8682	29	Axle	2	124TA8706
4	Lock washer	2	124TA8683	30	Spring	4	124TA8669
5A	Wheel assembly, load (polyurethane) (nylon rim) (single)	2	147TA3684	31	Spring	1	124TA8707
5B	Wheel assembly, load (polyurethane) (single)	2	124TA8684	32	Lock washer	2	124TA8683
5C	Wheel assembly, load (nylon) (single)	2	124TA5626	33	Shaft, fork load wheel bracket to chassis	2	124TA8708
6	Bolt, load wheel	2	124TA8685	34A	Push/pull rod, lift structure (fork length: 800 mm)	2	124TA5656
7	Nut	2	124TA8686	34B	Push/pull rod, lift structure (fork length: 950 mm)	2	124TA5657
8	Wheel, entry roller	2	124TA8687	34C	Push/pull rod, lift structure (fork length: 1150 mm)	2	124TA8158
9	Shaft/bolt, entry roller	2	124TA8688	35	Bushing, fork load wheel bracket to chassis	4	124TA8159
10	Bushing, fork load wheel bracket to push/pull rod	4	124TA8689				
11	Fork, bracket load wheel (RH side)	2	124TA8690				
12A	Carrier complete, load wheel (nylon) (tandem)	2	124TA5633				
12B	Carrier complete, load wheel (polyurethane) (tandem)	2	124TA5634				
12C	Carrier complete, load wheel (polyurethaan) (tandem)	2	124TA8691				
13	Bushing, fork load wheel bracket to push/pull rod	4	124TA8689				
14	Wheel, exit roller	2	124TA8692				
15	Fork, bracket load wheel (LH side)	2	124TA8693				
16	Axle, exit roller	2	124TA8694				
17	Nut, load wheel	4	124TA8695				
18	Washer (thickness: 1 mm) (ribbed)	4	124TA8696				
19A	Wheel assembly, load (nylon) (tandem)	4	124TA5640				
19B	Wheel assembly, load (polyurethane) (tandem)	4	124TA8697				
19C	Wheel assembly, load (polyurethane) (tandem)	4	124TA5642				
20	Elastic pin	4	124TA8698				
21	Fork, load wheel	4	124TA8699				
22	Bushing, load wheel tandem pivot	4	124TA8700				
23	Bolt, load wheel	4	124TA8701				
24	Axle	2	124TA8668				
25	Shaft pivot, torsion tube	2	124TA8702				
26	Bushing, torsion tube pivot	2	124TA8703				
27	Bushing, push/pull rod non fork end	4	124TA8704				



HYDRAULIC UNIT HYSTER PM23 QUICKLIFT



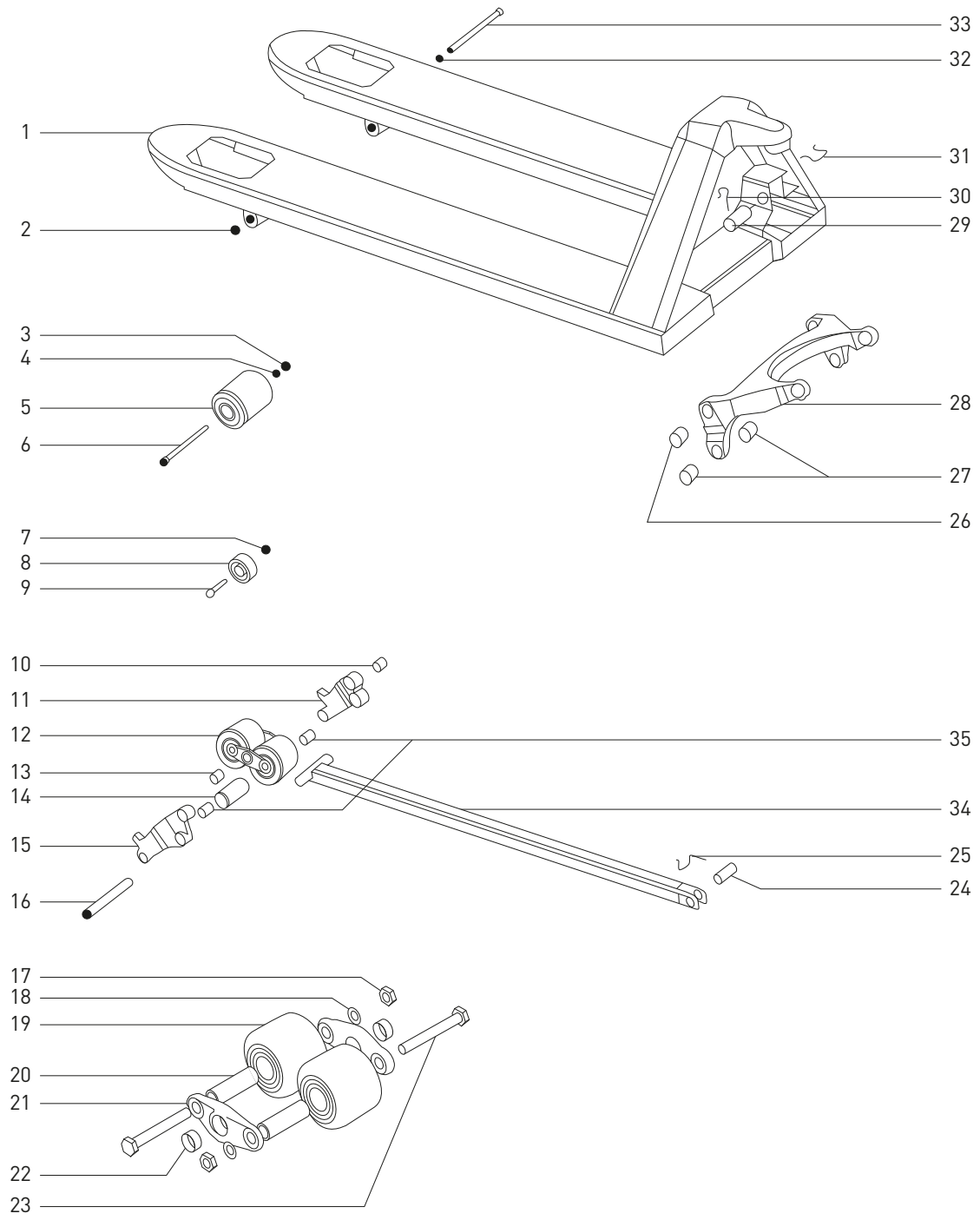


HYDRAULIC UNIT HYSTER PM23 QUICKLIFT

Nr	Description	Qty	REF	Nr	Description	Qty	REF
1	Piston, lift cylinder pallet truck	1	124TA8648	35	Lever lowering, tiller	1	124TA8674
2	Wiper ring (polyurethane)	1	147TA3683	36	Bushing	1	124TA8675
3	Lip seal	1	124TA8649	37	Spring	1	124TA8676
4	Fill plug, hydraulic pump	1	124TA8650	38	Ball bearing	2	124TA8677
5	Housing	1	124TA5667	39	Screw	1	124TA8678
6	Shaft, control handle pivot LH	1	124TA8651	40	Cover	1	124TA8679
7	Valve release, hydraulic unit	1	124TA8652	41	Screw	1	124TA8680
8	Screw, plug (M14)	1	124TA8653	42	Elastic pin	1	124TA8681
9	Piston, hydraulic pump unit	1	124TA5675	43	Rod complete, lowering	1	124TA8118
10	Plug	1	147TA3685	44	Pin, control handle pump roller	1	124TA8119
11	Screw	1	124TA8654	45	Elastic pin	1	124TA8121
12	Lever lift control	1	124TA8655	46	Roller, control handle pump	1	124TA8123
13	Screw	1	124TA8656	47	Lever lift control	1	124TA8124
14	Nut	1	124TA8657	48	Elastic pin	1	124TA8126
15	Shaft, control handle pivot RH	1	124TA8658	49	Bushing, handle pivot	2	124TA8128
16	Lip seal	1	124TA8659	50	O-ring	1	147TA3686
17	Wiper ring (polyurethane with metal outer ring)	1	124TA8660	51	O-ring	1	124TA5704
18	Valve release, hydraulic unit	1	124TA8661	52	O-ring	1	147TA3682
19	Spring, control handle return torsion	1	124TA8662	53	O-ring	1	124TA5707
20	Cap, control handle pivot return spring	1	124TA8663	54	O-ring	1	124TA5707
21	Bracket	1	124TA8664	55	O-ring	1	124TA5708
22	Screw	1	124TA8665	56	Hydraulic unit	1	124TA5709
23	Bearing, hydraulic unit pivot	1	124TA8666	57	Kit seal, hydraulic unit	1	124TA5710
24	Thrust plate, hydraulic pump unit mounting	1	124TA8667				
25	Shaft, torsion tube to thrust plate	1	124TA8668				
26	Spring	4	124TA8669				
27A	Wheel assembly, steer (rubber)	2	124TA5690				
27B	Wheel assembly, steer (polyurethane)	2	124TA8800				
27C	Wheel assembly, steer (nylon)	2	124TA5692				
28	Circlip	2	124TA8670				
29	Circlip	1	124TA8671				
30	Axle	1	124TA8672				
31	Backup ring	1	124TA5696				
32	O-ring	1	147TA3681				
33	Cover	1	147TA3687				
34	Bracket, tiller arm	1	124TA8673				



MAIN FRAME HYSTER PM23 QUICKLIFT





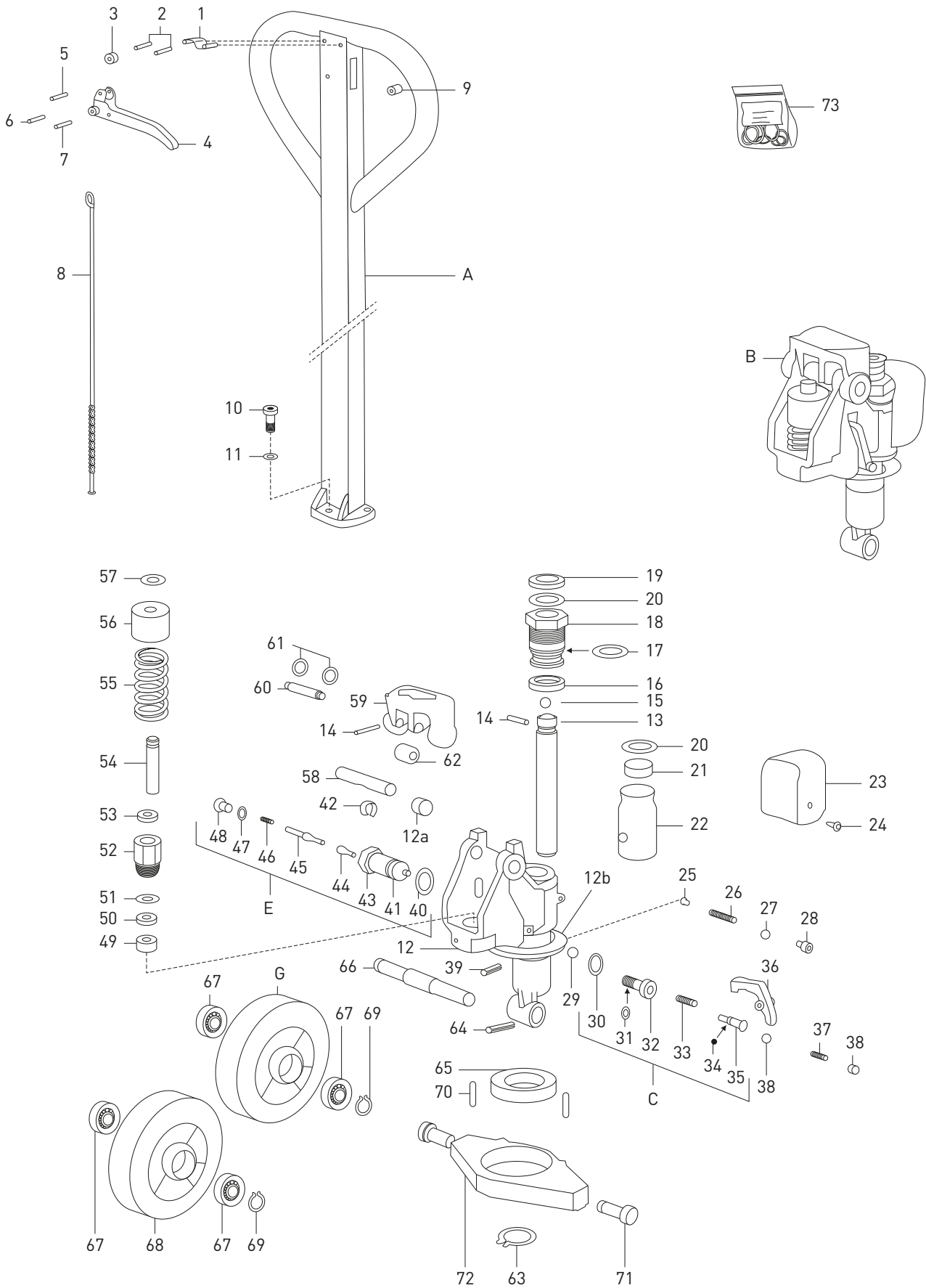
MAIN FRAME HYSTER PM23 QUICKLIFT

Nr	Description	Qty	REF	Nr	Description	Qty	REF
2	Nut	2	124TA8682	28	Torsion tube	1	124TA8705
3	Nut, load wheel	2	124TA8682	29	Axle	2	124TA8706
4	Lock washer	2	124TA8683	30	Spring	4	124TA8669
5A	Wheel assembly, load (nylon) (single)	2	124TA5626	31	Spring	1	124TA8707
5B	Wheel assembly, load (polyurethane) (single)	2	124TA8684	32	Lock washer	2	124TA8683
5C	Wheel assembly, load (polyurethane) (nylon rim) (single)	2	147TA3684	33	Shaft, fork load wheel bracket to chassis	2	124TA8708
6	Bolt, load wheel	2	124TA8685	34A	Push/pull rod, lift structure (fork length: 800 mm)	2	124TA5656
7	Nut	2	124TA8686	34B	Push/pull rod, lift structure (fork length: 950 mm)	2	124TA5657
8	Wheel, entry roller	2	124TA8687	34C	Push/pull rod, lift structure (fork length: 1150 mm)	2	124TA8158
9	Shaft/bolt, entry roller	2	124TA8688	35	Bushing, fork load wheel bracket to chassis	4	124TA8159
10	Bushing, fork load wheel bracket to push/pull rod	4	124TA8689				
11	Fork, bracket load wheel (RH side)	2	124TA8690				
12A	Carrier complete, load wheel (nylon) (tandem)	2	124TA5633				
12B	Carrier complete, load wheel (polyurethane) (tandem)	2	124TA5634				
12C	Carrier complete, load wheel (polyurethane) (tandem)	2	124TA8691				
13	Bushing, fork load wheel bracket to push/pull rod	4	124TA8689				
14	Wheel, exit roller	2	124TA8692				
15	Fork, bracket load wheel (LH side)	2	124TA8693				
16	Axle, exit roller	2	124TA8694				
17	Nut	4	124TA8695				
18	Washer (thickness: 1 mm) (ribbed)	4	124TA8696				
19A	Wheel assembly, load (nylon) (tandem)	4	124TA5640				
19B	Wheel assembly, load (polyurethane) (tandem)	4	124TA8697				
19C	Wheel assembly, load (polyurethane) (tandem)	4	124TA5642				
20	Elastic pin	4	124TA8698				
21	Fork, load wheel	4	124TA8699				
22	Bushing, load wheel tandem pivot	4	124TA8700				
23	Bolt, load wheel	4	124TA8701				
24	Shaft, push/pull rod non fork end	2	124TA8668				
25	Shaft pivot, torsion tube	2	124TA8702				
26	Bushing, torsion tube pivot	2	124TA8703				
27	Bushing, push/pull rod non fork end	4	124TA8704				



AM 2000 (-1/03/1999)

HYDRAULIC UNIT JUNGHEINRICH AM 2000 (-1/03/1999)





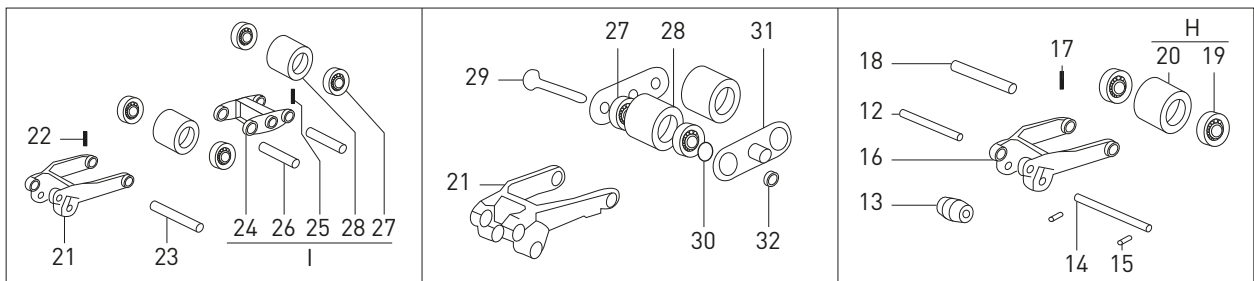
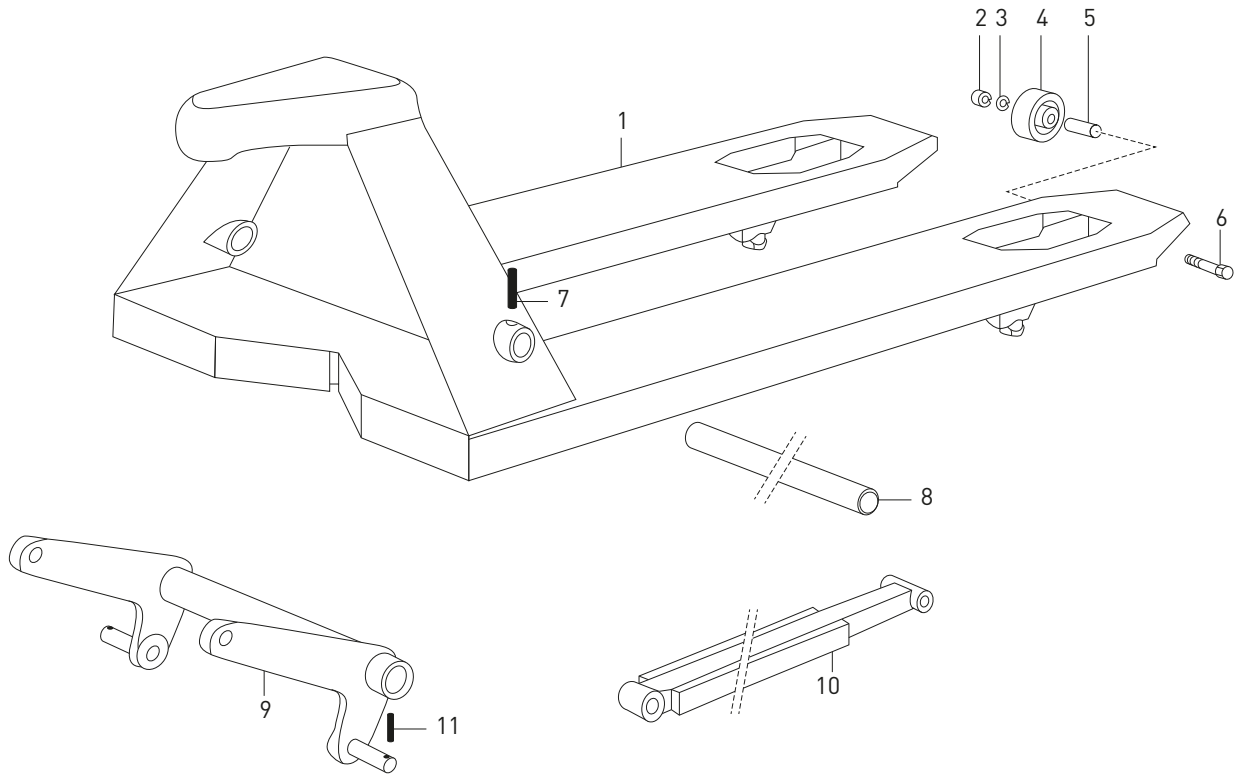
HYDRAULIC UNIT JUNGHEINRICH AM 2000 (-1/03/1999)

Nr	Description	Qty	REF
A	Handle assembly	1	147TA3743
1	Spring	1	106TA7031
2	Elastic pin	2	147TA3774
3	Cam, handle grip	1	147TA3759
4	Lever lowering, tiller	1	147TA3726
5	Elastic pin	1	147TA3775
6	Elastic pin	1	147TA3776
7	Elastic pin	1	147TA3719
8	Rod complete, lowering	1	147TA3770
9	Edge protection	1	147TA3781
10	Screw	3	147TA3771
11	Washer (thickness: 1,7 mm)	3	147TA3773
B	Pump, hydraulic	1	147TA3787
12	Housing	1	147TA3767
12A	Bushing, handle pivot	2	147TA3790
12B	Spacer, pivot bearing hydraulic pump unit to chassis	1	147TA3788
13	Piston, lift cylinder pallet truck	1	147TA3730
14	Elastic pin	2	147TA3756
15	Steel ball, lift cylinder piston pallet truck	1	147TA3752
16	Lip seal	1	147TA3713
17	O-ring	1	147TA3731
18	Lift cylinder cover	1	147TA3746
19	Oil seal	1	147TA3714
20	O-ring	2	147TA3723
21	Cap, filler (rubber)	1	147TA3754
22	Tank	1	147TA3791
23	Protection, hydraulic pump unit oil tank	1	147TA3732
24	Screw	2	147TA3715
25	Cone	1	147TA3721
26	Spring	1	147TA3722
27	Plug	1	147TA3763
28	Plug (DIN 9)	1	147TA3747
29	Steel ball	1	147TA3711
C	Valve release, hydraulic unit	1	147TA3785
30	Sealing ring (copper)	1	147TA3786
31	O-ring	1	147TA3712
32	Body, valve	1	147TA3733
33	Spring	1	147TA3734
34	O-ring	1	147TA3716
35	Plunger, valve	1	147TA3735
D	Lever lift control	1	147TA3768
36	Lever lift control	1	147TA3762
37	Screw (adjusting)	1	147TA3727
38	Nut	2	147TA3772
39	Elastic pin	1	147TA3756

Nr	Description	Qty	REF
E	Valve release, hydraulic unit	1	147TA3784
40	Sealing ring (copper)	1	147TA3786
41	O-ring	1	147TA3712
42	Spring	1	147TA3769
43	Plunger housing	1	147TA3794
44	Valve plunger	1	147TA3793
45	Plunger, valve	1	147TA3789
46	Spring	1	147TA3736
47	Sealing ring (copper) (thickness: 1,5 mm)	1	147TA3750
48	Screw, plug	1	147TA3737
49	Bushing (without collar)	1	147TA3764
50	Lip seal	1	147TA3724
51	Sealing ring (copper) (thickness: 1,5 mm)	1	147TA3728
52	Body, hydraulic pump unit piston	1	147TA3738
53	Oil seal	1	147TA3717
54	Piston, hydraulic pump unit	1	147TA3739
55	Spring, control handle return torsion	1	107TA6831
56	Cap, control handle pivot return spring	1	147TA3740
57	Circlip	1	147TA3780
58	Shaft, handle pivot	1	147TA3741
F	Bracket assembly	1	147TA3766
59	Bracket	1	147TA3758
60	Pin, control handle pump roller	1	147TA3782
61	Circlip	2	147TA3778
62	Roller, control handle pump	1	147TA3760
63	Circlip	1	147TA3779
64	Elastic pin	1	147TA3756
65	Bearing, hydraulic unit pivot	1	147TA3749
66	Shaft, steer wheel	1	147TA3745
G1	Wheel assembly, steer (rubber)	2	147TA3783
G2	Wheel assembly, steer (polyurethane)	2	147TA3744
G3	Wheel assembly, steer (nylon)	2	147TA3761
G4	Wheel assembly, steer (steel)	2	147TA3720
67	Ball bearing	4	147TA3725
69	Circlip	2	147TA3777
70	Elastic pin	2	147TA3748
71	Bolt	2	147TA3742
72	Thrust plate, hydraulic pump unit mounting	1	147TA3765
73	Kit seal, hydraulic unit	1	147TA3718



MAIN FRAME JUNGHEINRICH AM 2000 (-1/03/1999)



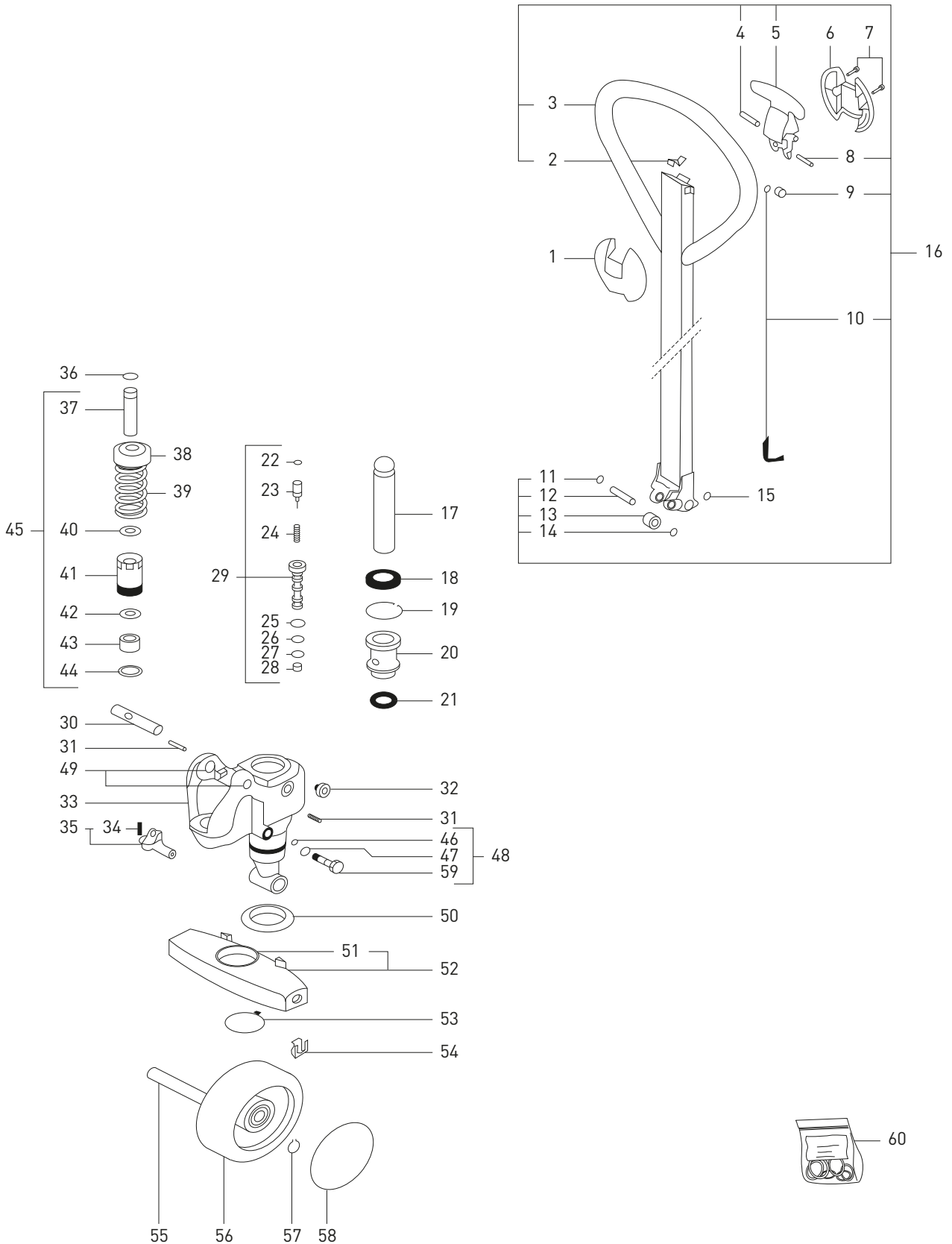

MAIN FRAME JUNGHEINRICH AM 2000 (-1/03/1999)

Nr	Description	Qty	REF	Nr	Description	Qty	REF
2	Nut	2	147TA3799	11	Carrier complete, load wheel (polyurethane) (tandem)	2	147TA3814
3	Lock washer	2	147TA3796	12	Carrier complete, load wheel (steel) (tandem)	2	147TA3815
4	Wheel, entry roller	2	147TA3800	13	Carrier complete, load wheel (nylon) (tandem)	2	147TA3813
5	Spacer, entry roller	2	147TA3802	24	Fork, load wheel	2	147TA3804
6	Shaft/bolt, entry roller	2	147TA3798	25	Elastic pin	4	147TA3774
7	Elastic pin	1	147TA3776	26	Shaft/bolt load wheel	4	147TA3803
8	Shaft pivot, torsion tube (frame width 540 mm)	1	147TA3811	27	Ball bearing	8	147TA3725
9	Torsion tube (frame width 540 mm)	1	147TA3807	28A	Wheel assembly, load (polyurethane) (tandem) (without bearings)	4	147TA3809
10A	Push/pull rod assembly, lift structure (fork length 950 mm)	2	107TA6768	28B	Bogie wheel (nylon) (tandem) (without bearings)	4	147TA3806
10B	Push/pull rod assembly, lift structure (fork length 1150 mm)	2	107TA6769	28C	Wheel assembly, load (nylon) (tandem) (with bearings)	4	107TA2924
10C	Push/pull rod assembly, lift structure (fork length 800 mm)	2	147TA3820	28D	Wheel assembly, load (polyurethane) (tandem) (with bearings)	4	147TA4828
11	Elastic pin	2	147TA3816	29	Shaft/bolt load wheel	2	147TA3825
12	Shaft, fork load wheel bracket to chassis	2	147TA3810	30	Bushing	2	147TA3819
13	Wheel, exit roller	2	147TA3817	31	Fork, load wheel	2	147TA3824
14	Shaft, fork load wheel bracket to chassis	2	147TA3818	32	Nut	2	147TA3826
15	Elastic pin	4	147TA3816				
16	Fork, bracket load wheel (single)	2	106TA8063				
17	Elastic pin	2	147TA3774				
18	Shaft/bolt load wheel (single)	2	147TA3801				
H1	Wheel assembly, load (polyurethane) (single)	2	128TA4339				
H2	Wheel assembly, load (steel) (single)	2	147TA3821				
H3	Wheel assembly, load (nylon) (single)	2	147TA3822				
19	Ball bearing	4	147TA3725				
20A	Wheel assembly, load (polyurethane) (single) (without bearings)	2	147TA3795				
20B	Wheel assembly, load (steel) (single) (without bearings)	2	147TA3808				
20C	Wheel assembly, load (nylon) (single) (without bearings)	2	107TA6778				
21	Fork, load wheel	2	106TA8063				
22	Elastic pin	2	147TA3774				
23	Shaft/bolt load wheel (tandem)	2	147TA3801				



AM 2200 (30/04/1999-1/10/2003)

HYDRAULIC UNIT JUNGHEINRICH AM 2200 (30/04/1999-1/10/2003)





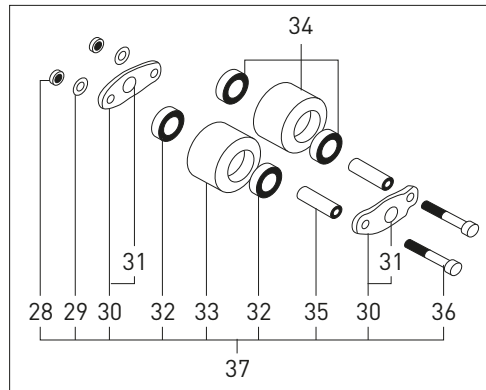
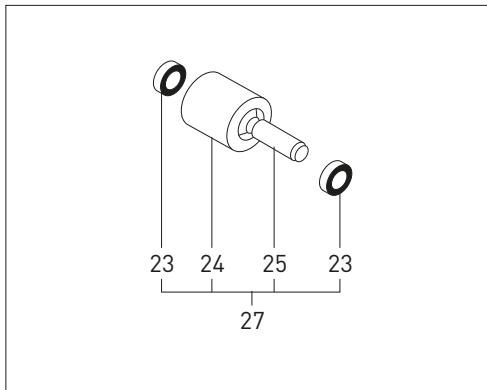
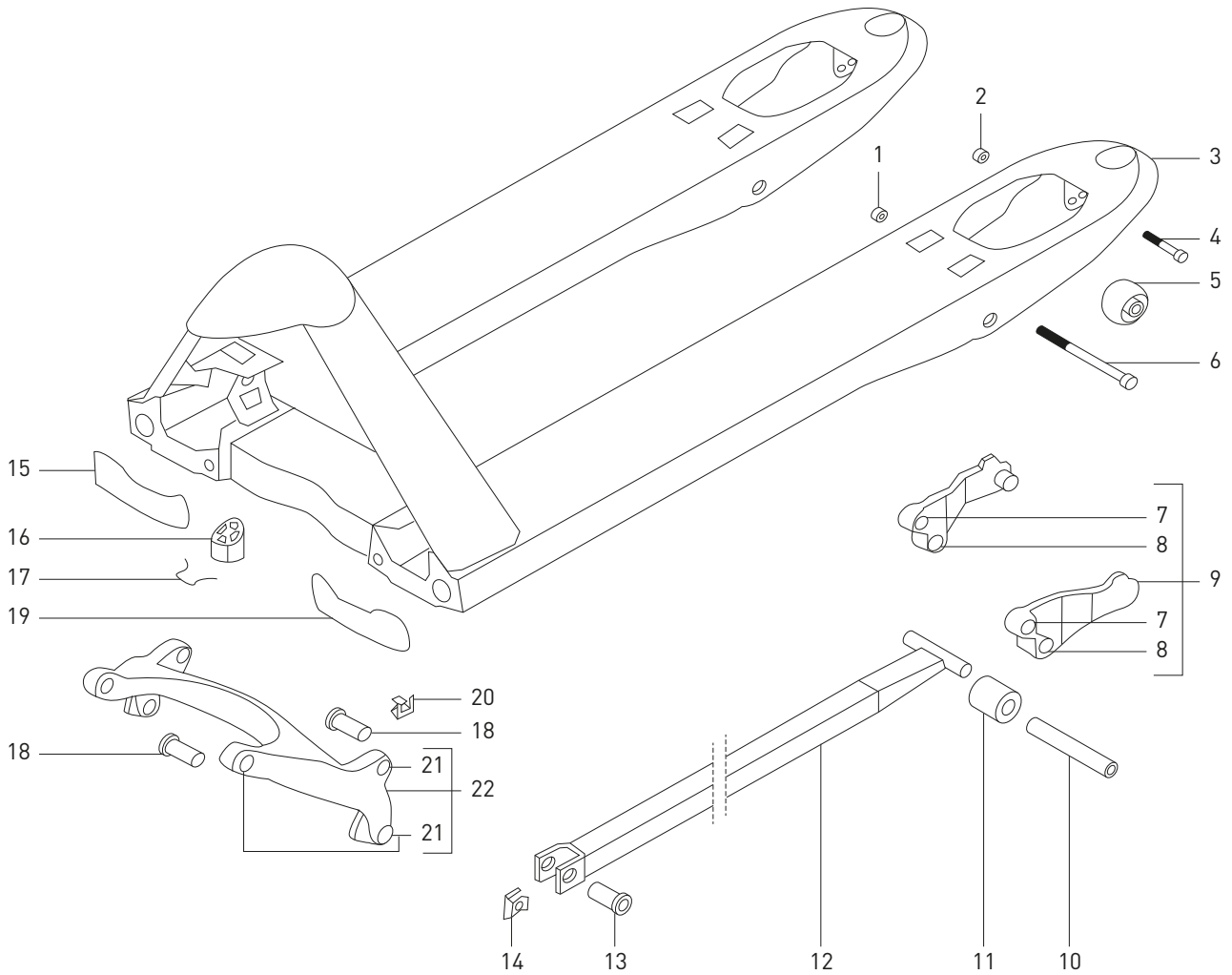
HYDRAULIC UNIT JUNGHEINRICH AM 2200 (30/04/1999-1/10/2003)

Nr	Description	Qty	REF	Nr	Description	Qty	REF
1A	Cover (grey)	1	<u>152TA2745</u>	39	Spring, control handle return torsion	1	<u>107TA6831</u>
1B	Cover (yellow)	1	<u>147TA3873</u>	40	Oil seal	1	<u>107TA6832</u>
2	Spring	1	<u>147TA3842</u>	41	Body, hydraulic pump unit piston	1	<u>147TA3868</u>
3	Handle	1	<u>147TA3846</u>	42	Lip seal	1	<u>107TA6834</u>
4	Dowel pin	1	<u>147TA3844</u>	43	Bushing (without collar)	1	<u>147TA3764</u>
5	Lever lowering, tiller	1	<u>147TA3843</u>	44	Sealing ring (copper) (thickness: 1,5 mm)	1	<u>147TA3728</u>
6A	Cover (grey)	1	<u>152TA2744</u>	45	Body, hydraulic pump unit piston	1	<u>147TA3848</u>
6B	Cover (yellow)	1	<u>147TA3859</u>	46	O-ring	1	<u>147TA3872</u>
7	Screw	2	<u>147TA3858</u>	47	O-ring	1	<u>107TA6837</u>
8	Elastic pin	1	<u>147TA3833</u>	48	Valve release, hydraulic unit	1	<u>147TA3851</u>
9	Bushing	1	<u>147TA3841</u>	49A	Bushing, handle pivot (for axle diameter: 18 mm)	2	<u>147TA3865</u>
10	Rod complete, lowering	1	<u>147TA3845</u>	49B	Bushing, handle pivot (for axle diameter: 20 mm)	2	<u>128TA4335</u>
11	Circlip	1	<u>147TA3778</u>	50	Bearing, hydraulic unit pivot	1	<u>147TA3836</u>
12	Pin, control handle pump roller	1	<u>147TA3782</u>	51	Bushing	1	<u>147TA3853</u>
13	Roller, control handle pump	1	<u>147TA3760</u>	52	Thrust plate, hydraulic pump unit mounting	1	<u>147TA3852</u>
14	Circlip	1	<u>147TA3778</u>	53	Circlip	1	<u>147TA3835</u>
15	Stud	1	<u>147TA3847</u>	54	Clamp	2	<u>147TA3861</u>
16	Handle assembly	1	<u>147TA3840</u>	55	Shaft, steer wheel	1	<u>147TA3855</u>
17	Piston, lift cylinder pallet truck	1	<u>147TA3856</u>	56A	Wheel assembly, steer (rubber) (nylon rim)	2	<u>147TA3866</u>
18	Oil seal	1	<u>147TA3864</u>	56B	Wheel assembly, steer (polyurethane)	2	<u>147TA3857</u>
19	Circlip	1	<u>147TA3854</u>	56C	Wheel assembly, steer (nylon) (black)	2	<u>147TA3878</u>
20	Piston	1	<u>147TA3879</u>	56D	Wheel assembly, steer (rubber) (aluminium rim)	2	<u>124TA6946</u>
21	Lip seal	1	<u>147TA3863</u>	56E	Wheel assembly, steer (polyurethane) (aluminium rim)	2	<u>128TA4674</u>
22	O-ring	1	<u>147TA3837</u>	57	Circlip	2	<u>147TA3777</u>
23	Plunger, valve	1	<u>147TA3870</u>	58	Cap, front wheel hub	2	<u>147TA3860</u>
24	Spring (without collar)	1	<u>147TA3871</u>	59	Valve	1	<u>107TA6852</u>
25	O-ring	1	<u>147TA3838</u>	60	Kit seal, hydraulic unit	1	<u>147TA3839</u>
26	O-ring	1	<u>147TA3876</u>				
27	O-ring	1	<u>147TA3867</u>				
28	Spring	1	<u>147TA3769</u>				
29	Valve release, hydraulic unit	1	<u>147TA3832</u>				
30A	Roller, control handle pump (diameter: 18 mm)	1	<u>107TA6824</u>				
30B	Roller, control handle pump (diameter: 20 mm)	1	<u>128TA4334</u>				
31	Elastic pin	1	<u>147TA3748</u>				
32	Screw, plug	1	<u>147TA3862</u>				
33	Housing, pump	1	<u>147TA3869</u>				
34	Screw (adjusting)	1	<u>147TA3834</u>				
35	Lever lift control	1	<u>147TA3850</u>				
36	Circlip	1	<u>147TA3780</u>				
37	Piston, hydraulic pump unit	1	<u>147TA3874</u>				
38	Cap, control handle pivot return spring	1	<u>147TA3849</u>				



AM 2200 (30/04/1999-1/10/2003)

MAIN FRAME JUNGHEINRICH AM 2200 (30/04/1999-1/10/2003)



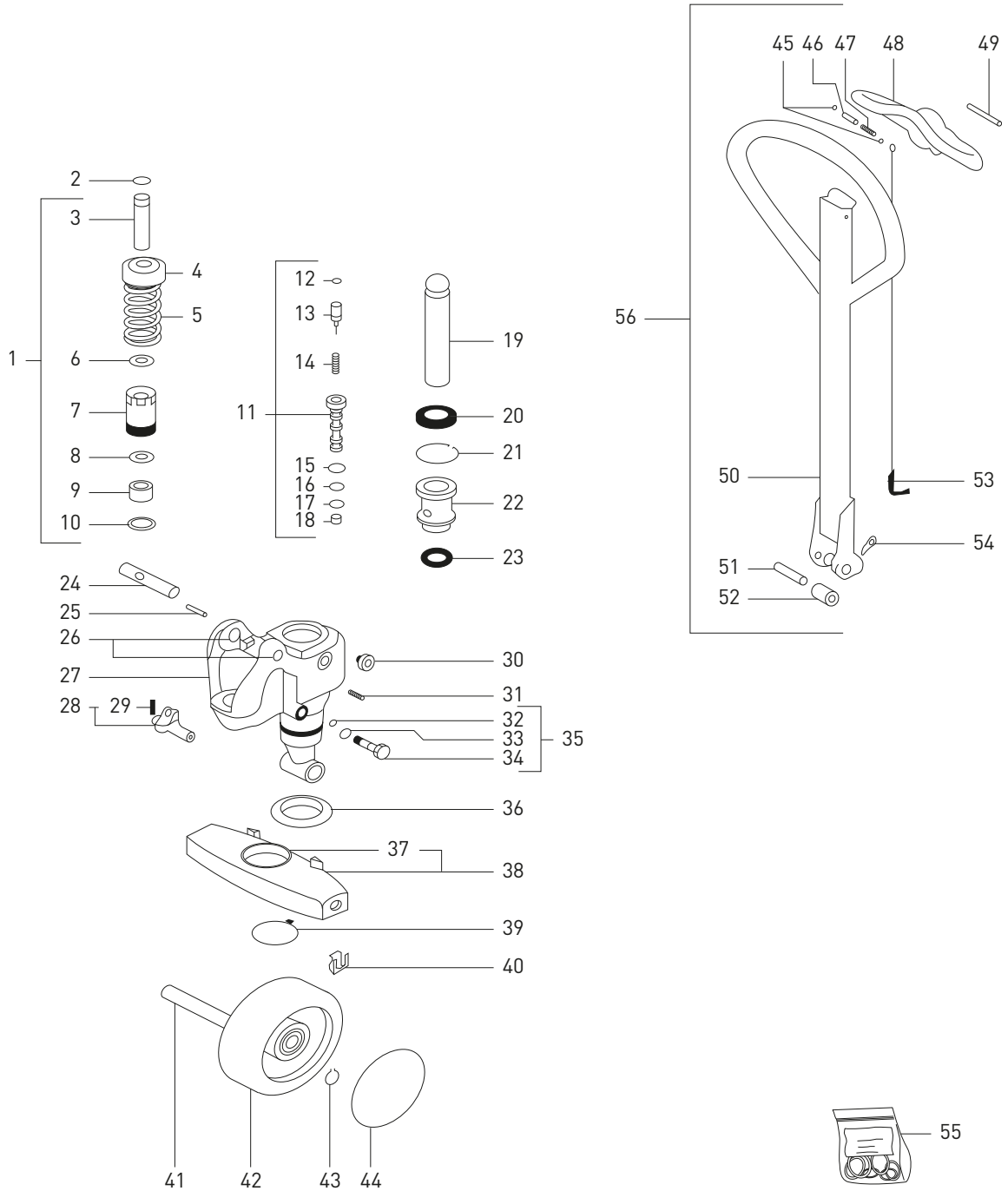


MAIN FRAME JUNGHEINRICH AM 2200 (30/04/1999-1/10/2003)

Nr	Description	Qty	REF	Nr	Description	Qty	REF
1	Nut	2	147TA3799	34A	Wheel assembly, load (polyurethane) (tandem)	4	147TA3901
2	Nut	2	147TA3885	34B	Wheel assembly, load (nylon) (black) (tandem)	4	107TA6860
4	Shaft/bolt, entry roller	2	147TA3884	35	Axle sleeve, load wheel	4	147TA3905
5	Wheel, entry roller	2	147TA3886	36	Shaft/bolt load wheel	4	147TA3908
6	Shaft, fork load wheel bracket to chassis	2	147TA3896	37A	Carrier complete, load wheel (polyurethane) (tandem)	2	147TA3900
7	Bushing, fork load wheel bracket to push/pull rod	4	147TA3887	37B	Carrier complete, load wheel (nylon) (black) (tandem)	2	147TA3899
8	Bushing, fork load wheel bracket to chassis	4	147TA3893				
9	Fork, bracket load wheel	2	147TA3892				
10	Axle, exit roller	2	147TA3895				
11	Wheel, exit roller	2	147TA3894				
12	Push/pull rod assembly, lift structure	2	147TA3907				
13	Shaft, push/pull rod non fork end	2	147TA3891				
14	Clamp	2	147TA3861				
15	Cover	1	147TA3890				
16	Guide	1	147TA3888				
17	Spring	1	147TA3912				
18	Shaft, torsion tube to thrust plate	4	147TA3891				
19	Cover	1	147TA3889				
20	Clamp	4	147TA3861				
21A	Bushing, push/pull rod non fork end	2	147TA3882				
21B	Bushing, torsion tube pivot	2	147TA3882				
21C	Bushing, torsion tube to thrust plate	2	147TA3882				
22	Torsion tube (frame width 550 mm)	1	147TA3906				
23	Ball bearing	4	147TA3881				
24A	Wheel assembly, load (polyurethane) (single) (without bearings)	2	147TA3897				
24B	Load wheel (nylon) (single) (without bearings)	2	147TA3909				
25	Shaft/bolt load wheel	2	147TA3898				
27A	Wheel assembly, load (nylon) (single)	2	147TA3910				
27B	Wheel assembly, load (polyurethane) (single)	2	147TA3911				
28	Nut	4	147TA3883				
29	Lock washer	4	147TA3880				
30	Fork, load wheel	4	147TA3903				
31	Bushing	4	147TA3904				
32	Ball bearing	8	147TA3725				



HYDRAULIC UNIT JUNGHEINRICH AM 2200 (31/10/2003-1/04/2005)





HYDRAULIC UNIT JUNGHEINRICH AM 2200 (31/10/2003-1/04/2005)

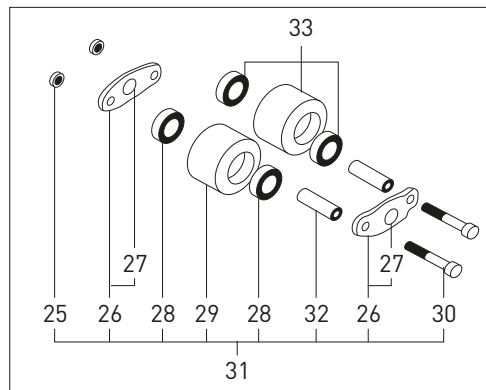
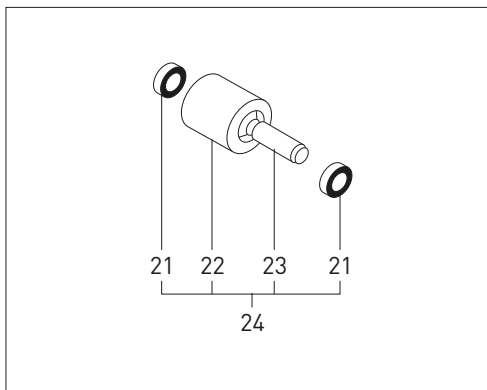
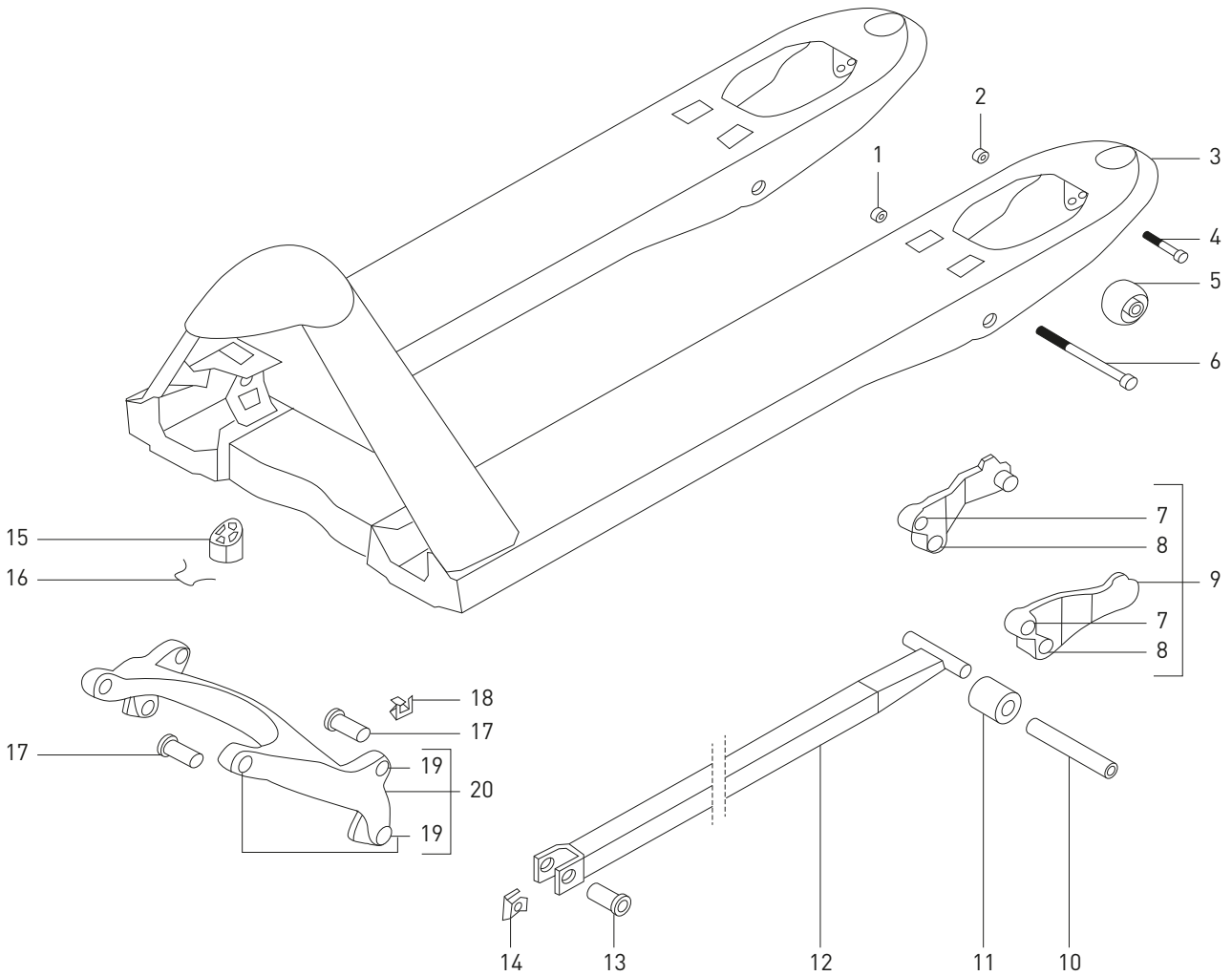
Nr	Description	Qty	REF
1	Body, hydraulic pump unit piston	1	<u>147TA3848</u>
2	Circlip	1	<u>147TA3780</u>
3	Piston, hydraulic pump unit	1	<u>147TA3874</u>
4	Cap, control handle pivot return spring	1	<u>147TA3849</u>
5	Spring, control handle return torsion	1	<u>107TA6831</u>
6	Oil seal	1	<u>107TA6832</u>
7	Body, hydraulic pump unit piston	1	<u>147TA3868</u>
8	Lip seal	1	<u>107TA6834</u>
9	Bushing (without collar)	1	<u>147TA3764</u>
10	Sealing ring (copper) (thickness: 1,5 mm)	1	<u>147TA3728</u>
11	Valve release, hydraulic unit	1	<u>147TA3832</u>
12	O-ring	1	<u>147TA3837</u>
13	Plunger, valve	1	<u>147TA3870</u>
14	Bushing (without collar)	1	<u>147TA3871</u>
15	O-ring	1	<u>147TA3838</u>
16	O-ring	1	<u>147TA3876</u>
17	O-ring	1	<u>147TA3867</u>
18	Spring	1	<u>147TA3769</u>
19	Piston, lift cylinder pallet truck	1	<u>147TA3856</u>
20	Oil seal	1	<u>147TA3864</u>
21	Circlip	1	<u>147TA3854</u>
22	Piston	1	<u>147TA3879</u>
23	Lip seal	1	<u>147TA3863</u>
24	Shaft, handle pivot	1	<u>147TA3877</u>
25	Elastic pin	1	<u>147TA3748</u>
26	Bushing	2	<u>147TA3865</u>
27	Housing, pump	1	<u>147TA3869</u>
28	Lever lift control	1	<u>147TA3850</u>
29	Screw (adjusting)	1	<u>147TA3834</u>
30	Screw, plug	1	<u>147TA3862</u>
31	Elastic pin	1	<u>147TA3748</u>
32	O-ring	1	<u>147TA3872</u>
33	O-ring	1	<u>107TA6837</u>
34	Valve	1	<u>107TA6852</u>
35	Valve release, hydraulic unit	1	<u>147TA3851</u>
36	Bearing, hydraulic unit pivot	1	<u>147TA3836</u>
37	Spacer, pivot bearing hydraulic pump unit to chassis	1	<u>147TA3853</u>
38	Thrust plate, hydraulic pump unit mounting	1	<u>147TA3852</u>

Nr	Description	Qty	REF
39	Circlip	1	<u>147TA3835</u>
40	Clamp	2	<u>147TA3861</u>
41	Shaft, steer wheel	1	<u>147TA3855</u>
42	Wheel assembly, steer (rubber) (nylon rim)	2	<u>147TA3866</u>
42	Wheel assembly, steer (polyurethane)	2	<u>147TA3857</u>
42	Wheel assembly, steer (rubber) (aluminium rim)	2	<u>124TA6946</u>
42	Wheel assembly, steer (nylon) (black)	2	<u>147TA3878</u>
42	Wheel assembly, steer (polyurethane) (aluminium rim)	2	<u>128TA4674</u>
43	Circlip	2	<u>147TA3777</u>
44	Cap, front wheel hub	2	<u>147TA3860</u>
45	Steel ball	1	<u>124TA9145</u>
46	Bushing	1	<u>124TA9146</u>
47	Spring	1	<u>128TA4327</u>
48A	Lever complete, lowering (grey)	1	<u>124TA9148</u>
48B	Lever complete, lowering (yellow)	1	<u>124TA9147</u>
49	Axle	1	<u>124TA9149</u>
50	Handle assembly	1	<u>124TA9150</u>
51	Pin, control handle pump roller	1	<u>147TA3914</u>
52	Roller, control handle pump	1	<u>147TA3915</u>
53	Rod complete, lowering	1	<u>124TA9153</u>
54	Pin	1	<u>147TA3913</u>
55	Kit seal, hydraulic unit	1	<u>147TA3839</u>
56	Handle assembly	1	<u>138TA4536</u>

AM 2200 (31/10/2003-1/04/2005)



MAIN FRAME JUNGHEINRICH AM 2200 (31/10/2003-1/04/2005)



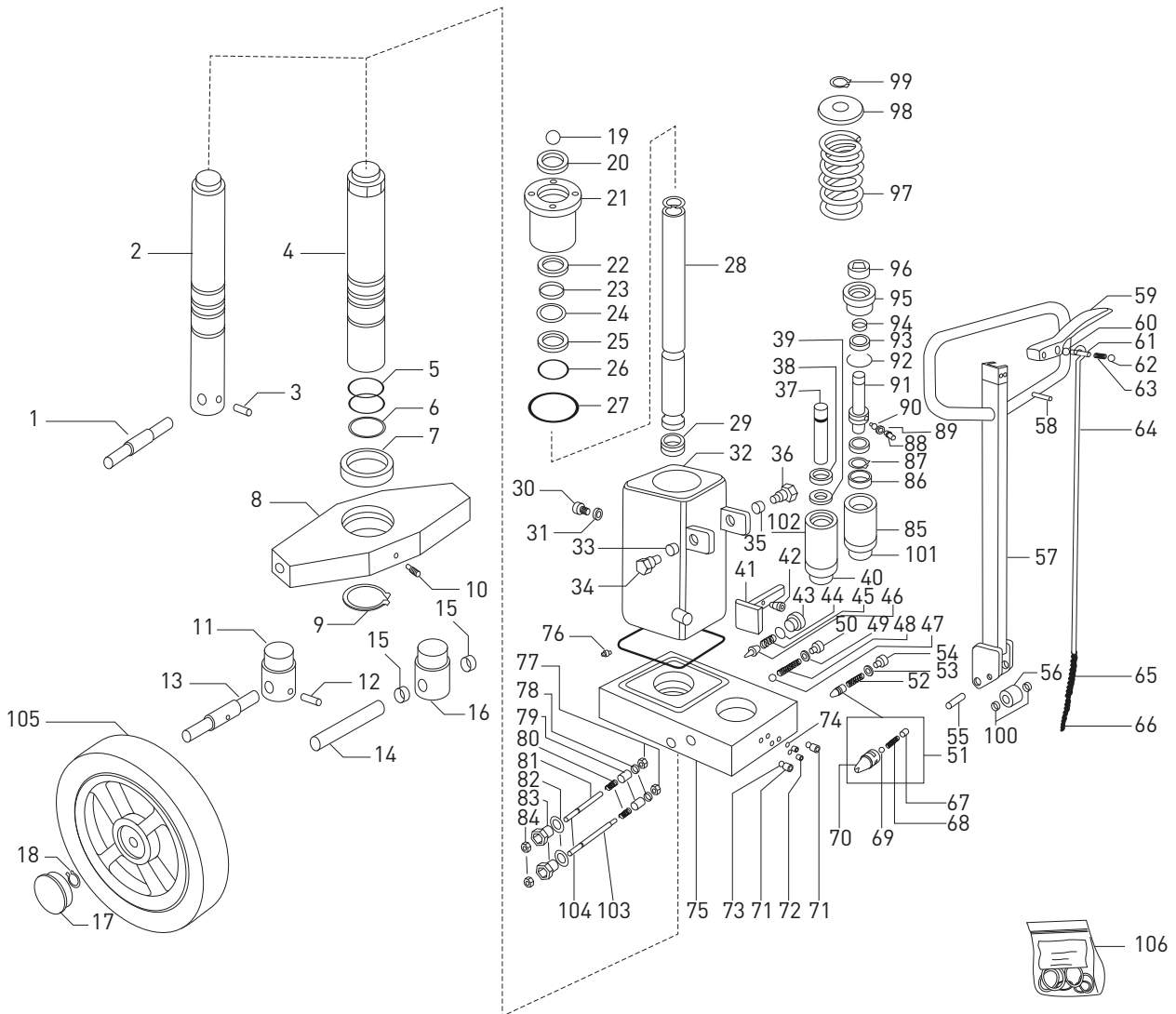


MAIN FRAME JUNGHEINRICH AM 2200 (31/10/2003-1/04/2005)

Nr	Description	Qty	REF	Nr	Description	Qty	REF
1	Nut	2	147TA3799	31B	Carrier complete, load wheel (nylon)	2	147TA3899
2	Nut	2	147TA3885	33A	Wheel assembly, load (polyurethane) (tandem)	4	147TA3901
4	Shaft/bolt, entry roller	2	147TA3884	33B	Wheel assembly, load (nylon) (black) (tandem)	4	107TA6860
5	Wheel, entry roller	2	147TA3886	32	Axle sleeve, load wheel	4	147TA3905
6	Shaft, fork load wheel bracket to chassis	2	147TA3896				
7	Bushing, fork load wheel bracket to push/pull rod	4	147TA3887				
8	Bushing, fork load wheel bracket to chassis	4	147TA3893				
9	Fork, bracket load wheel	2	147TA3892				
10	Axle, exit roller	2	147TA3895				
11	Wheel, exit roller	2	147TA3894				
12	Push/pull rod assembly, lift structure	2	147TA3907				
13	Shaft, push/pull rod non fork end	2	147TA3891				
14	Clamp	2	147TA3861				
15	Guide	1	147TA3888				
16	Spring	1	147TA3912				
17	Shaft, torsion tube to thrust plate	4	147TA3891				
18	Clamp	4	147TA3861				
19A	Bushing, push/pull rod non fork end	2	147TA3882				
19B	Bushing, torsion tube pivot	2	147TA3882				
19C	Bushing, torsion tube to thrust plate	2	147TA3882				
20	Torsion tube	1	147TA3906				
21	Ball bearing	4	147TA3881				
22A	Wheel assembly, load (polyurethane)	2	147TA3897				
22B	Load wheel (nylon)	2	147TA3909				
23	Shaft/bolt load wheel	2	147TA3898				
24	Wheel assembly, load (nylon) (single)	2	147TA3910				
24	Wheel assembly, load (polyurethane) (single)	2	147TA3911				
25	Nut	4	147TA3883				
26	Fork, load wheel	4	147TA3903				
27	Bushing	4	147TA3904				
28	Ball bearing	8	147TA3725				
29A	Wheel assembly, load	4	147TA3902				
29B	Chain, hydraulic unit	4	124TA2245				
30	Shaft/bolt load wheel	4	107TA5862				
31A	Carrier complete, load wheel (polyurethane)	2	147TA3900				



HYDRAULIC UNIT KENTRUCK SH/SHQ/SHS 2000/2500





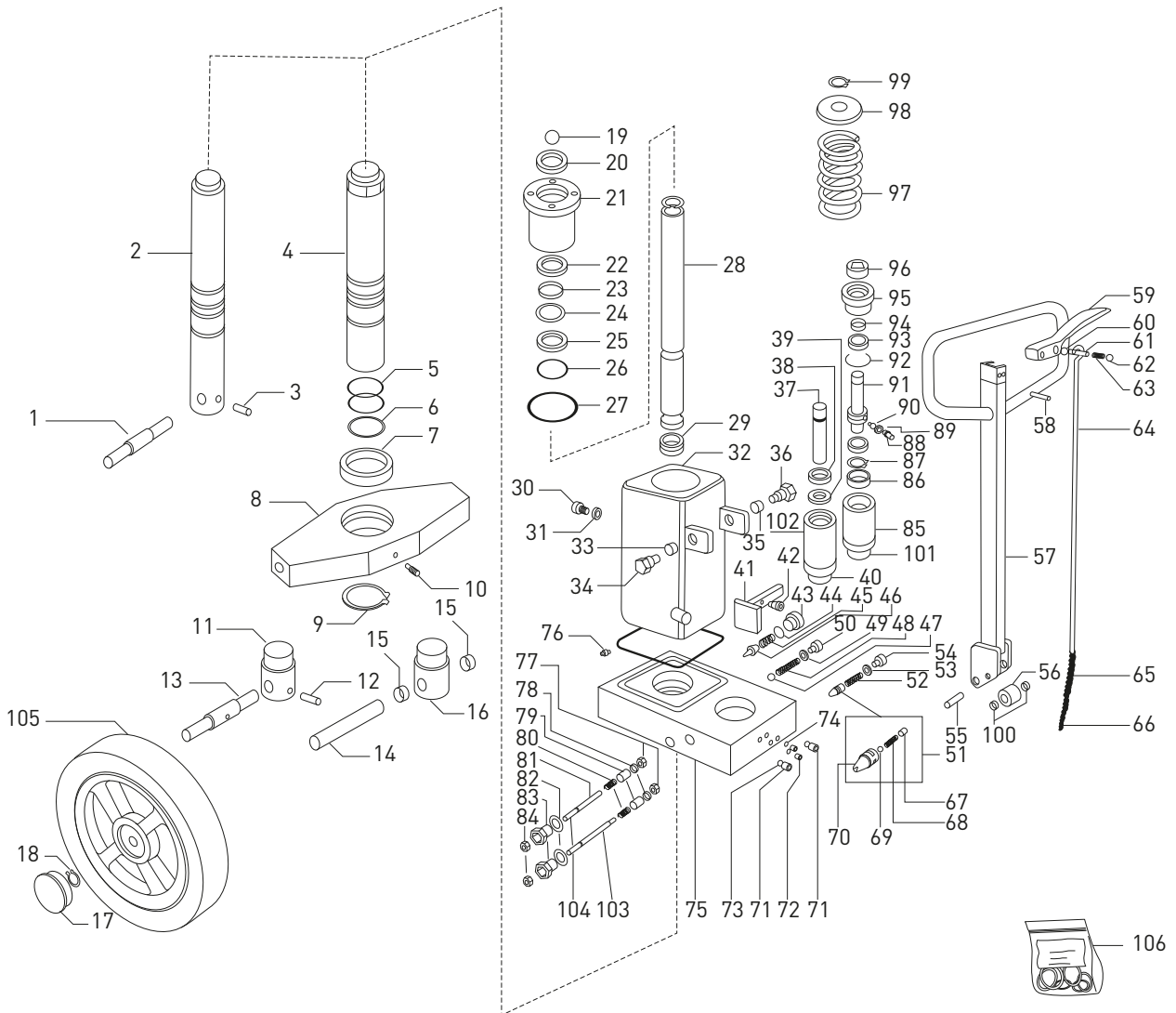
HYDRAULIC UNIT KENTRUCK SH/SHQ/SHS 2000/2500

Nr	Description	Qty	REF
1	Shaft, steer wheel	1	124TA5721
2	Piston, hydraulic pump unit	1	124TA5722
3	Lock pin	1	124TA2148
4	Piston, lift cylinder pallet truck	1	124TA2149
5	O-ring	2	124TA2153
6	Circlip	1	124TA2146
7	Bearing, hydraulic unit pivot	1	124TA2147
8	Thrust plate, hydraulic pump unit mounting	1	124TA2142
9	Circlip	1	124TA2154
10	Grease nipple	1	124TA2155
11	Tube bottom	1	124TA2143
12	Lock pin	1	124TA2148
13	Shaft, steer wheel	1	124TA2156
14	Shaft, steer wheel	1	124TA2157
15	Bushing (without collar)	2	124TA2144
16	Tube bottom	1	124TA2158
17	Cap, front wheel hub	2	124TA2159
18	Circlip	2	124TA2160
19	Steel ball, lift cylinder piston pallet truck	1	107TA5939
20	Wiper ring (rubber)	1	124TA2150
21	Body, hydraulic pump unit piston	1	124TA2161
22	Lip seal	1	124TA2162
23	Guide ring	1	124TA2151
24	Guide ring	1	124TA2163
25	Lip seal	1	124TA2164
26	O-ring	1	124TA2165
27	O-ring	1	124TA2166
28	Piston, lift cylinder pallet truck	1	124TA2152
29	Slide ring	1	124TA2167
30	Screw	1	124TA2168
31	Sealing ring (copper) (thickness: 0,5 mm)	1	124TA2169
32	Tank, hydraulic oil	1	124TA2170
33	Bushing, handle pivot	1	124TA2171
34	Bolt (RH thread)	1	124TA2172
35	Bushing, handle pivot	1	124TA2171
36	Bolt (LH thread)	1	124TA2145
37	Piston, hydraulic pump unit	1	124TA2173
38	Wiper ring (rubber)	1	124TA2174
39	Lip seal	1	124TA2175
40	O-ring	1	124TA2176

Nr	Description	Qty	REF
41	Lever lift control	1	124TA2177
42	Screw	1	124TA2178
43	Screw (adjusting)	1	124TA2179
44	O-ring	1	124TA2180
45	Spring	1	124TA5723
46	Cone	1	124TA2181
47	Steel ball	1	124TA9116
48	Spring	1	124TA2182
49	Sealing ring (copper) (thickness: 0,5 mm)	1	124TA2169
50	Screw	1	124TA2168
51	Cone	1	124TA2183
52	Spring	1	124TA2184
53	Sealing ring (copper) (thickness: 0,5 mm)	1	124TA2169
54	Screw	1	124TA2168
55	Shaft, handle pivot	1	124TA2185
56	Roller, control handle pump	1	124TA2186
57	Bracket, tiller arm	1	124TA2187
58	Elastic pin	1	124TA2188
59	Lever lowering, tiller	1	124TA2189
60	Steel ball	1	124TA2190
61	Bushing (without collar)	1	124TA2191
62	Steel ball	1	124TA2190
63	Spring	1	124TA2192
64	Lowering rod	1	124TA2193
65	Chain, hydraulic unit	1	124TA2194
66	Screw	1	124TA2195
67	Screw	1	124TA2196
68	Spring	1	124TA2197
69	Steel ball	1	124TA2198
70	Cone	1	124TA2199
71	Screw	2	124TA5725
72	Screw	4	124TA2200
73	Steel ball	2	124TA5724
74	Steel ball	1	124TA2201
75	Thrust plate, hydraulic pump unit mounting	1	124TA2202
76	Magnet	1	124TA2203
77	Lip seal	2	124TA2204
78	Sealing ring (copper) (thickness: 0,5 mm)	2	124TA2205
79	Bushing (without collar)	2	124TA2206
80	Spring	2	124TA2207
81	Actuator pin	1	124TA2225



HYDRAULIC UNIT KENTRUCK SH/SHQ/SHS 2000/2500



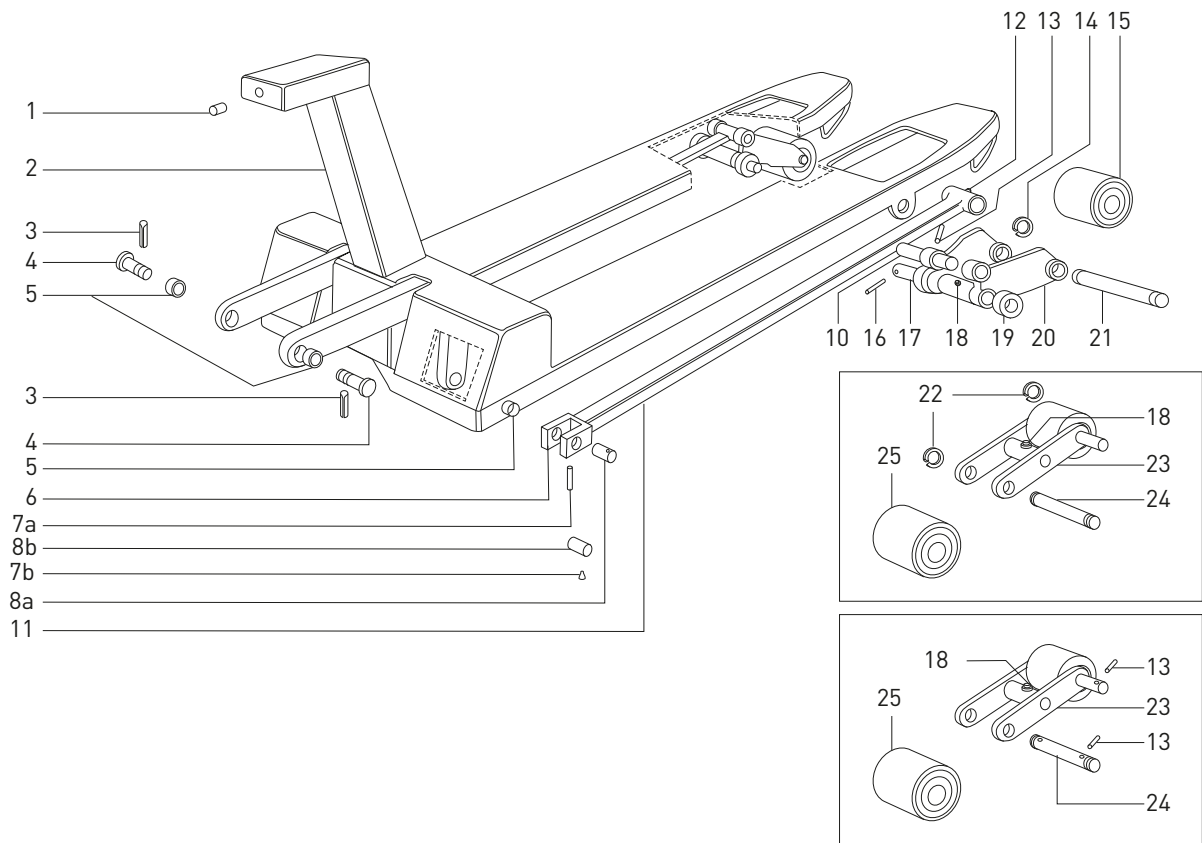


HYDRAULIC UNIT KENTRUCK SH/SHQ/SHS 2000/2500

Nr	Description	Qty	REF	Nr	Description	Qty	REF
82	Sealing ring (copper) (thickness: 0,5 mm)	2	124TA2209				
83	Sealing holder	2	124TA2210				
84	Wiper ring (polyurethane)	2	124TA2211				
85	Body, hydraulic pump unit piston	1	124TA2212				
86	Guide ring	1	124TA2213				
87	Circlip	1	124TA2214				
88	Spring	1	124TA2215				
89	Spring	1	124TA5726				
90	Steel ball	1	124TA2201				
91	Piston, lift cylinder pallet truck	1	124TA2216				
92	O-ring	1	124TA2217				
93	Lip seal	1	124TA2175				
94	Guide ring	1	124TA2218				
95	Sealing holder	1	124TA2219				
96	Wiper ring (rubber)	1	124TA2174				
97	Spring, control handle return torsion	1	124TA2220				
98	Cap, control handle pivot return spring	1	124TA2221				
99	Circlip	1	124TA2222				
100	Bushing, handle pivot	2	124TA2171				
101	O-ring	1	124TA2223				
102	Body, hydraulic pump unit piston	1	124TA2224				
103	Actuator pin	1	124TA2225				
104	Washer	2	124TA2226				
105A	Wheel assembly, steer (nylon)	2	107TA3166				
105B	Wheel assembly, steer (polyurethane)	2	124TA2227				
105C	Wheel assembly, steer (rubber)	2	107TA3135				
106	Kit seal, hydraulic unit	1	107TA7012				



MAIN FRAME KENTRUCK SH/SHQ/SHS 2000/2500





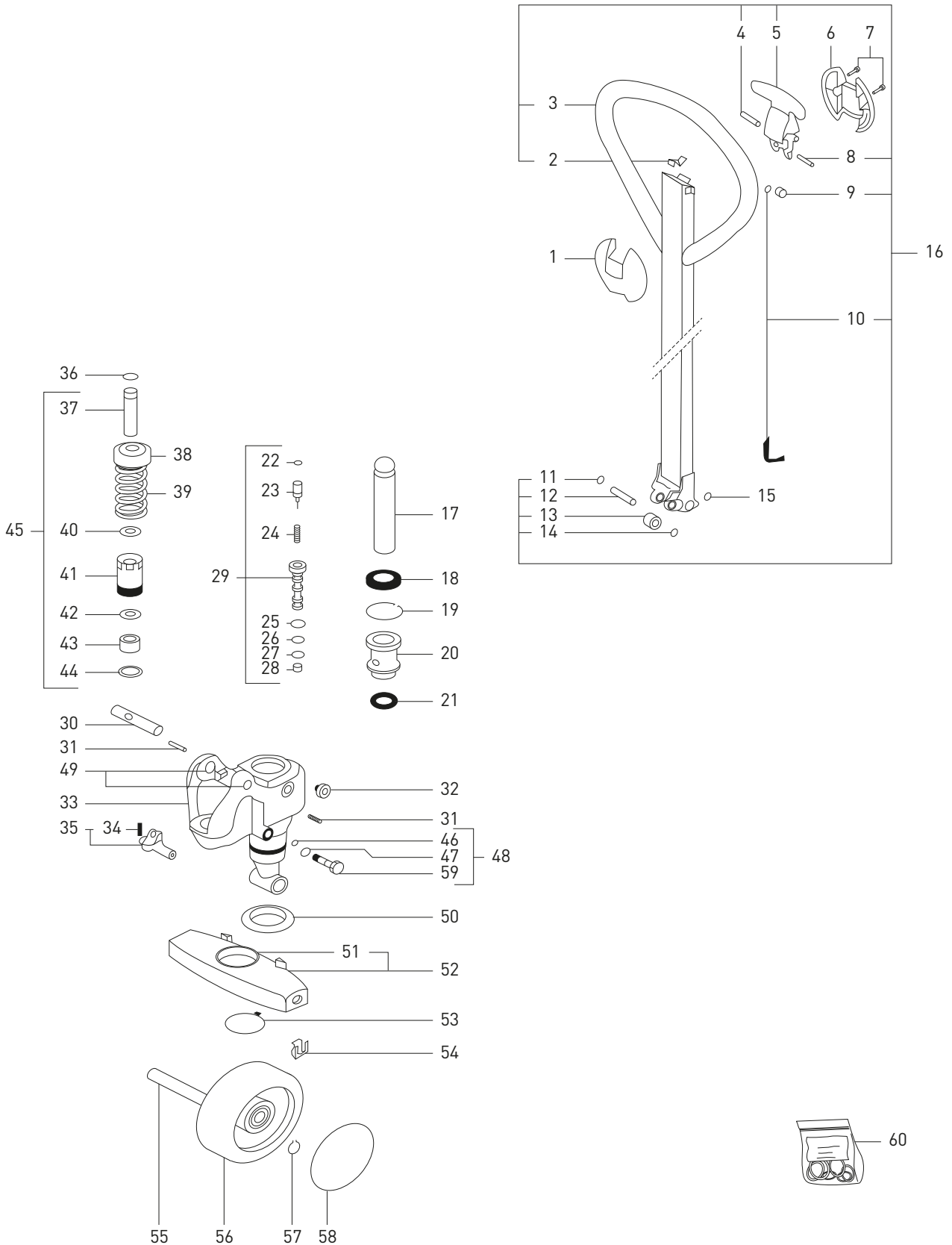
MAIN FRAME KENTRUCK SH/SHQ/SHS 2000/2500

Nr	Description	Qty	REF	Nr	Description	Qty	REF
1	Screw	1	124TA2243				
3	Elastic pin	2	124TA2229				
4	Shaft, torsion tube to thrust plate	2	124TA2230				
5	Bushing, torsion tube pivot	2	124TA2231				
6	Bushing	2	124TA2232				
7A	Lock pin	2	124TA2233				
7B	Screw	2	124TA5727				
8A	Shaft, push/pull rod non fork end	2	124TA2234				
8B	Shaft, push/pull rod non fork end	2	124TA5728				
10	Shaft, push/pull rod fork end	2	124TA9113				
11	Push/pull rod assembly, lift structure	2	124TA2228				
12	Grease nipple	2	124TA2155				
13	Lock pin	5	124TA2233				
14	Circlip	6	124TA2160				
15A	Wheel assembly, load (nylon)	2	107TA2919				
15B	Wheel assembly, load (polyurethane)	2	124TA2235				
15C	Wheel assembly, load (steel)	2	124TA2236				
16	Lock pin	4	124TA2233				
17	Shaft, fork load wheel bracket to chassis	1	124TA2237				
18	Grease nipple	2	124TA2155				
19	Wheel, exit roller (steel)	4	124TA2238				
20	Fork, bracket load wheel	2	124TA2239				
21	Shaft/bolt load wheel	2	124TA2240				
22	Circlip	6	124TA2160				
23	Fork, load wheel	2	124TA2241				
24	Shaft/bolt load wheel	4	124TA2242				
25A	Wheel assembly, load (nylon)	4	124TA5729				
25B	Wheel assembly, load (polyurethane)	4	108TA8544				
25C	Wheel assembly, load (steel)	4	124TA5730				



TM 22 (30/04/1999-1/10/2003)

HYDRAULIC UNIT MIC TM 22 (30/04/1999-1/10/2003)





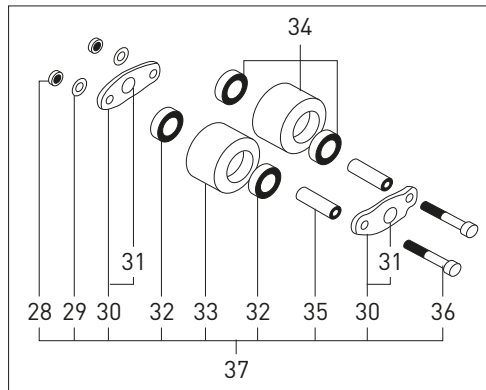
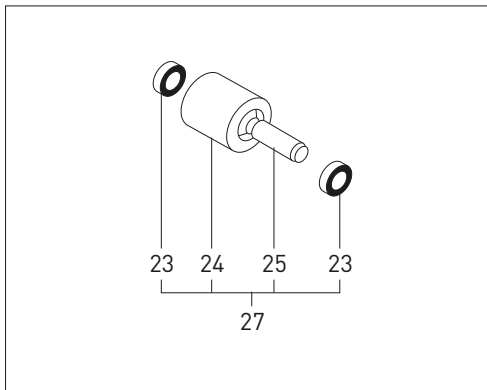
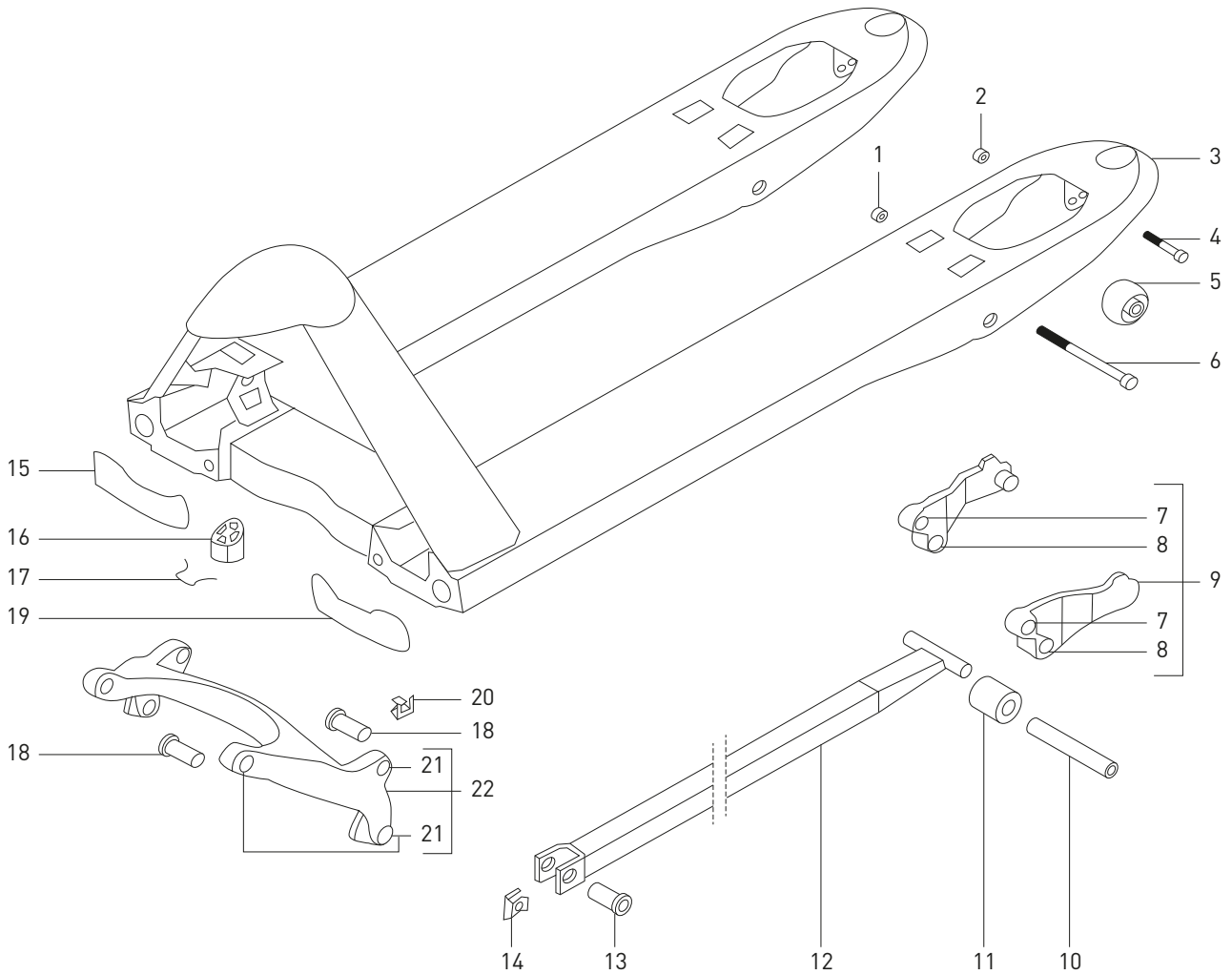
HYDRAULIC UNIT MIC TM 22 (30/04/1999-1/10/2003)

Nr	Description	Qty	REF	Nr	Description	Qty	REF
1	Cover	1	107TA6785	41	Body, hydraulic pump unit piston	1	107TA6833
2	Spring	1	107TA6786	42	Lip seal	1	147TA3700
3	Bracket, tiller arm	1	107TA6787	43	Bushing (without collar)	1	107TA6733
4	Dowel pin	1	107TA6788	44	Washer (copper) (thickness: 1,5 mm)	1	105TA1306
5	Lowering lever	1	107TA6789	45	Body, hydraulic pump unit piston	1	107TA6835
6	Cover	1	107TA6790	46	O-ring	1	107TA6836
7	Screw	2	107TA6791	47	O-ring	1	107TA6837
8	Elastic pin	1	107TA6792	48	Valve release, hydraulic unit	1	107TA6838
9	Bushing	1	107TA6793	49A	Bushing, handle pivot (diameter: 18 mm)	2	107TA6839
10	Rod complete, lowering	1	106TA6776	49B	Bushing, handle pivot (diameter: 20 mm)	2	128TA4335
11	Circlip	1	107TA6743	50	Bearing, hydraulic unit pivot	1	107TA6840
12	Pin, control handle pump roller	1	107TA6742	51	Spacer, pivot bearing hydraulic pump unit to chassis	1	107TA6841
13	Roller, control handle pump	1	107TA6744	52	Thrust plate, hydraulic pump unit mounting	1	107TA6842
14	Circlip	1	107TA6743	53	Circlip	1	107TA6843
15	Stud	1	107TA6794	54	Clamp	2	107TA6805
17	Piston, lift cylinder pallet truck	1	107TA6812	55	Shaft, steer wheel	1	107TA6844
18	Oil seal	1	107TA6813	56A	Wheel assembly, steer (rubber) (nylon rim)	2	107TA6845
19	Circlip	1	107TA6814	56B	Wheel assembly, steer (polyurethane)	2	107TA6846
20	Piston	1	107TA6815	56C	Wheel assembly, steer (nylon)	2	107TA6847
21	Lip seal	1	107TA6816	56D	Wheel assembly, steer (rubber) (aluminium rim)	2	124TA6946
22	O-ring	1	107TA6817	57	Circlip	2	107TA6757
23	Plunger, valve	1	107TA6818	58	Cap, front wheel hub	2	107TA6848
24	Spring	1	107TA6819	59	Valve	1	107TA6852
25	O-ring	1	107TA6820	60	Kit seal, hydraulic unit	1	127TA2472
26	O-ring	1	107TA6821	61	Hydraulic unit	1	138TA7535
27	O-ring	1	107TA6822				
28	Spring	1	107TA6726				
29	Valve release, hydraulic unit	1	107TA6823				
30A	Shaft, handle pivot (diameter: 18 mm)	1	107TA6824				
30B	Shaft, handle pivot (diameter: 20 mm)	1	128TA4334				
31	Elastic pin	2	107TA6758				
32	Screw, plug	1	107TA6825				
33	Pump housing	1	107TA6826				
34	Screw (adjusting)	1	107TA6827				
35	Lever lift control	1	107TA6828				
36	Circlip	1	107TA6739				
37	Piston, hydraulic pump unit	1	107TA6829				
38	Cap, control handle pivot return spring	1	107TA6830				
39	Spring, control handle return torsion	1	147TA3699				
40	Oil seal	1	147TA3701				



TM 22 (30/04/1999-1/10/2003)

MAIN FRAME MIC TM 22 (30/04/1999-1/10/2003)





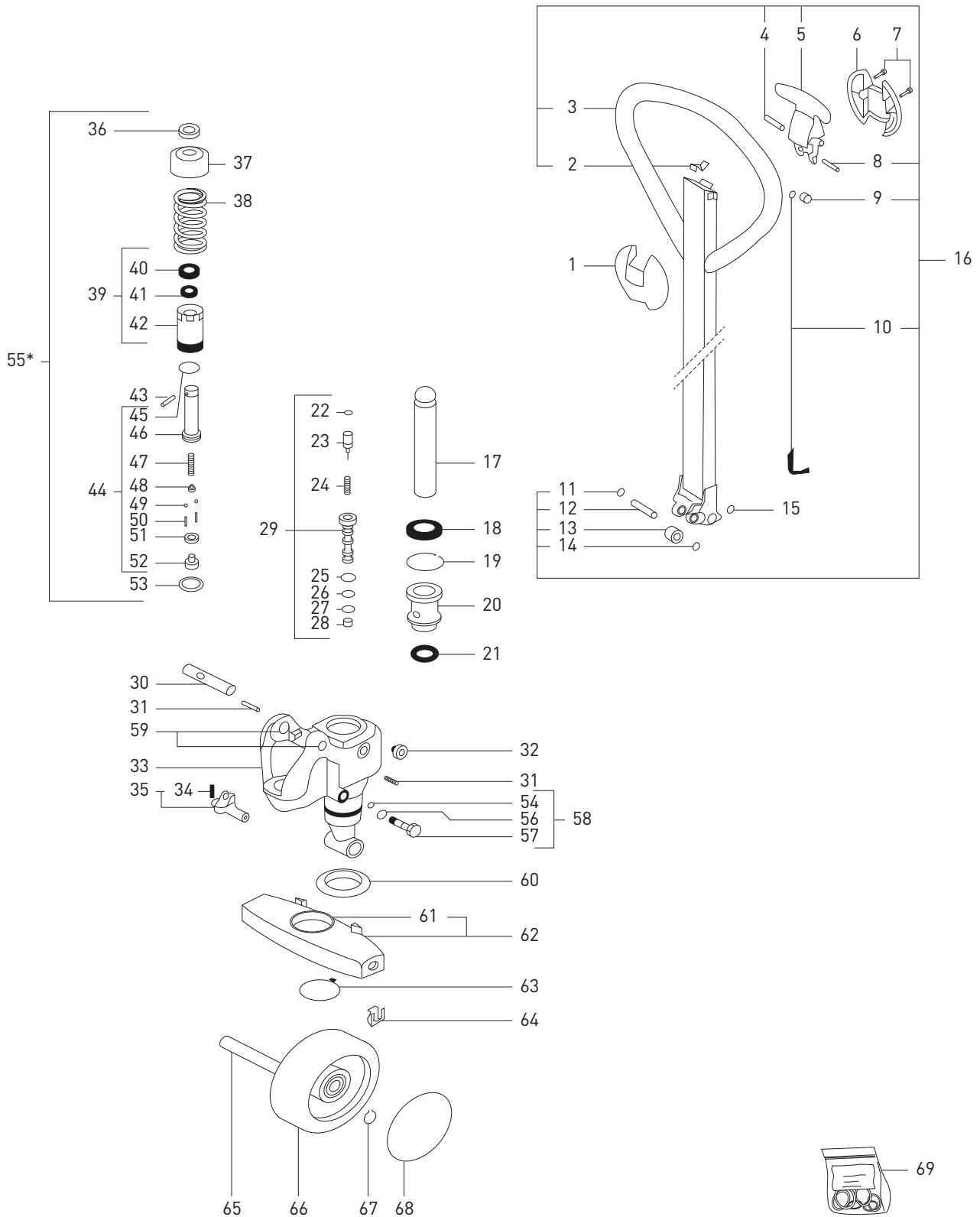
MAIN FRAME MIC TM 22 (30/04/1999–1/10/2003)

Nr	Description	Qty	REF	Nr	Description	Qty	REF
1	Nut	2	107TA6761	34B	Wheel assembly, load (nylon) (black) (tandem)	4	107TA6860
2	Lock nut	2	107TA6795	35	Axle sleeve, load wheel	4	107TA6861
4	Shaft/bolt, entry roller	2	147TA3703	36	Shaft/bolt load wheel	4	107TA6862
5	Wheel, entry roller	2	107TA2888	37A	Carrier complete, load wheel (polyurethane)	2	107TA6863
6	Shaft, fork load wheel bracket to chassis	2	107TA6797	37B	Carrier complete, load wheel (nylon)	2	107TA6864
7	Bushing, fork load wheel bracket to push/pull rod	4	107TA6798				
8	Bushing, fork load wheel bracket to chassis	4	107TA6799				
9	Fork, bracket load wheel	2	107TA6800				
10	Axle, exit roller	2	107TA6801				
11	Wheel, exit roller	2	107TA6802				
12	Push/pull rod assembly, lift structure	2	107TA6803				
13	Shaft, push/pull rod non fork end	2	107TA6804				
14	Clamp	2	107TA6805				
15	Cover	1	107TA6806				
16	Guide	1	107TA6807				
17	Spring	1	107TA6808				
18	Shaft, torsion tube to thrust plate	4	107TA6804				
19	Cover	1	107TA6809				
20	Clamp	4	107TA6805				
21	Bushing, push/pull rod non fork end	6	107TA6810				
22	Torsion tube	1	107TA6811				
23	Ball bearing	4	107TA6849				
24A	Wheel assembly, load (polyurethane)	2	107TA6850				
24B	Load wheel (nylon)	2	147TA3704				
25	Shaft/bolt load wheel	2	107TA6851				
27A	Wheel assembly, load (polyurethane) (single)	2	107TA2752				
27B	Wheel assembly, load (nylon) (single)	2	107TA6853				
28	Nut	4	107TA6854				
29	Lock washer	4	107TA6855				
30	Fork, load wheel	4	107TA6856				
31	Bushing	4	107TA6857				
32	Ball bearing	8	107TA3176				
33A	Wheel assembly, load (polyurethane)	4	107TA6858				
33B	Wheel assembly, load (nylon) (black)	4	124TA2245				
34A	Wheel assembly, load (polyurethane) (tandem)	4	107TA6859				



TM 22 QUICK (30/04/1999-1/10/2003)

HYDRAULIC UNIT MIC TM 22 QUICK (30/04/1999-1/10/2003)



* number 37 and 38 not included



HYDRAULIC UNIT MIC TM 22 QUICK (30/04/1999–1/10/2003)

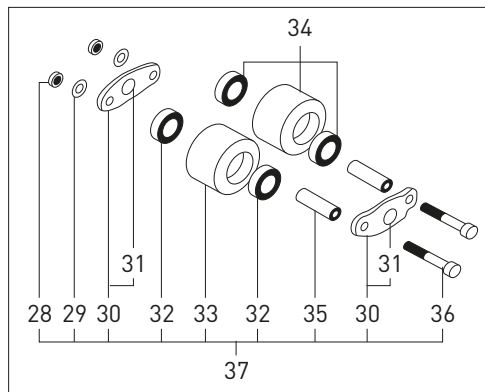
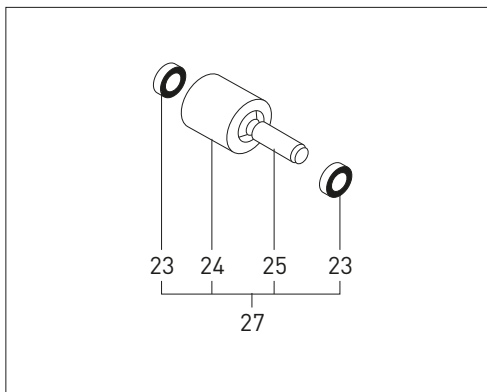
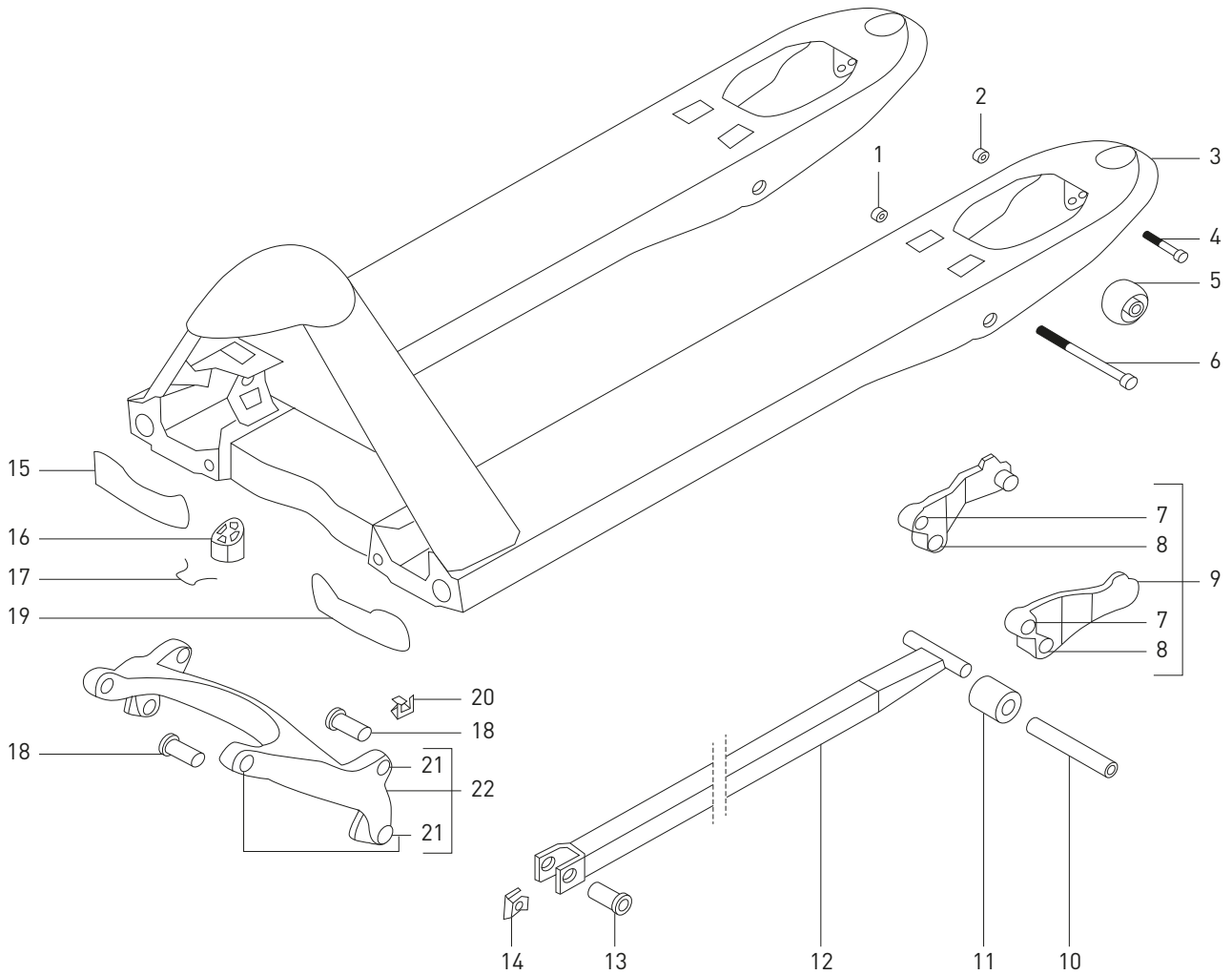
Nr	Description	Qty	REF
1	Cover	1	107TA6785
2	Spring	1	107TA6786
3	Bracket, tiller arm	1	107TA6787
4	Dowel pin	1	107TA6788
5	Lowering lever	1	107TA6789
6	Cover	1	107TA6790
7	Screw	2	107TA6791
8	Elastic pin	1	107TA6792
9	Bushing	1	107TA6793
10	Rod complete, lowering	1	106TA6776
11	Circlip	1	107TA6743
12	Pin, control handle pump roller	1	107TA6742
13	Roller, control handle pump	1	107TA6744
14	Circlip	1	107TA6743
15	Stud	1	107TA6794
16	Handle assembly (conversion kit)	1	128TA4333
17	Piston, lift cylinder pallet truck	1	107TA6812
18	Oil seal	1	107TA6813
19	Circlip	1	107TA6814
20	Piston	1	107TA6815
21	Lip seal	1	107TA6816
22	O-ring	1	107TA6817
23	Plunger, valve	1	107TA6818
24	Spring	1	107TA6819
25	O-ring	1	107TA6820
26	O-ring	1	107TA6821
27	O-ring	1	107TA6822
28	Spring	1	107TA6726
29	Valve release, hydraulic unit	1	107TA6823
30A	Shaft, handle pivot (diameter: 18 mm)	1	107TA6824
30B	Shaft, handle pivot (diameter: 20 mm)	1	128TA4334
31	Elastic pin	1	107TA6758
32	Screw, plug	1	107TA6825
33	Pump housing	1	107TA6826
34	Screw (adjusting)	1	107TA6827
35	Lever lift control	1	107TA6828
36	Circlip	1	107TA6739
37	Cap, control handle pivot return spring	1	124TA2246
38	Spring, control handle return torsion	1	107TA6738

Nr	Description	Qty	REF
40	Oil seal	1	107TA6736
41	O-ring	1	147TA3705
42	Body, hydraulic pump unit piston	1	124TA2249
43	Pin	1	124TA2250
44	Valve release, hydraulic unit	1	124TA2251
45	O-ring	1	147TA3707
46	Piston, lift cylinder pallet truck	1	147TA3706
47	Spring	1	128TA4345
48	Cap, spring	1	128TA4346
49	Steel ball	1	128TA4347
50	Spring	1	128TA4348
51	Washer	2	128TA4349
52	Valve	1	128TA4350
53	Washer (copper) (thickness: 1,5 mm)	1	105TA1306
54	O-ring	1	107TA6836
55	Body, hydraulic pump unit piston (with piston and seals)	1	128TA4351
56	O-ring	1	107TA6837
58	Valve release, hydraulic unit	1	107TA6838
59A	Bushing, handle pivot (diameter: 18 mm)	2	107TA6839
59B	Bushing, handle pivot (diameter: 20 mm)	2	128TA4335
60	Bearing, hydraulic unit pivot	1	107TA6840
61	Spacer, pivot bearing hydraulic pump unit to chassis	1	107TA6841
62	Thrust plate, hydraulic pump unit mounting	1	107TA6842
63	Circlip	1	107TA6843
64	Clamp	2	107TA6805
65	Shaft, steer wheel	1	107TA6844
66A	Wheel assembly, steer (rubber) (nylon rim)	2	107TA6845
66B	Wheel assembly, steer (polyurethane)	2	107TA6846
66C	Wheel assembly, steer (nylon)	2	107TA6847
66D	Wheel assembly, steer (rubber) (aluminium rim)	2	124TA6946
67	Circlip	2	107TA6757
68	Cap, front wheel hub	2	107TA6848
69	Kit seal, hydraulic unit	1	107TA7029



TM 22 QUICK (30/04/1999-1/10/2003)

MAIN FRAME MIC TM 22 QUICK (30/04/1999-1/10/2003)





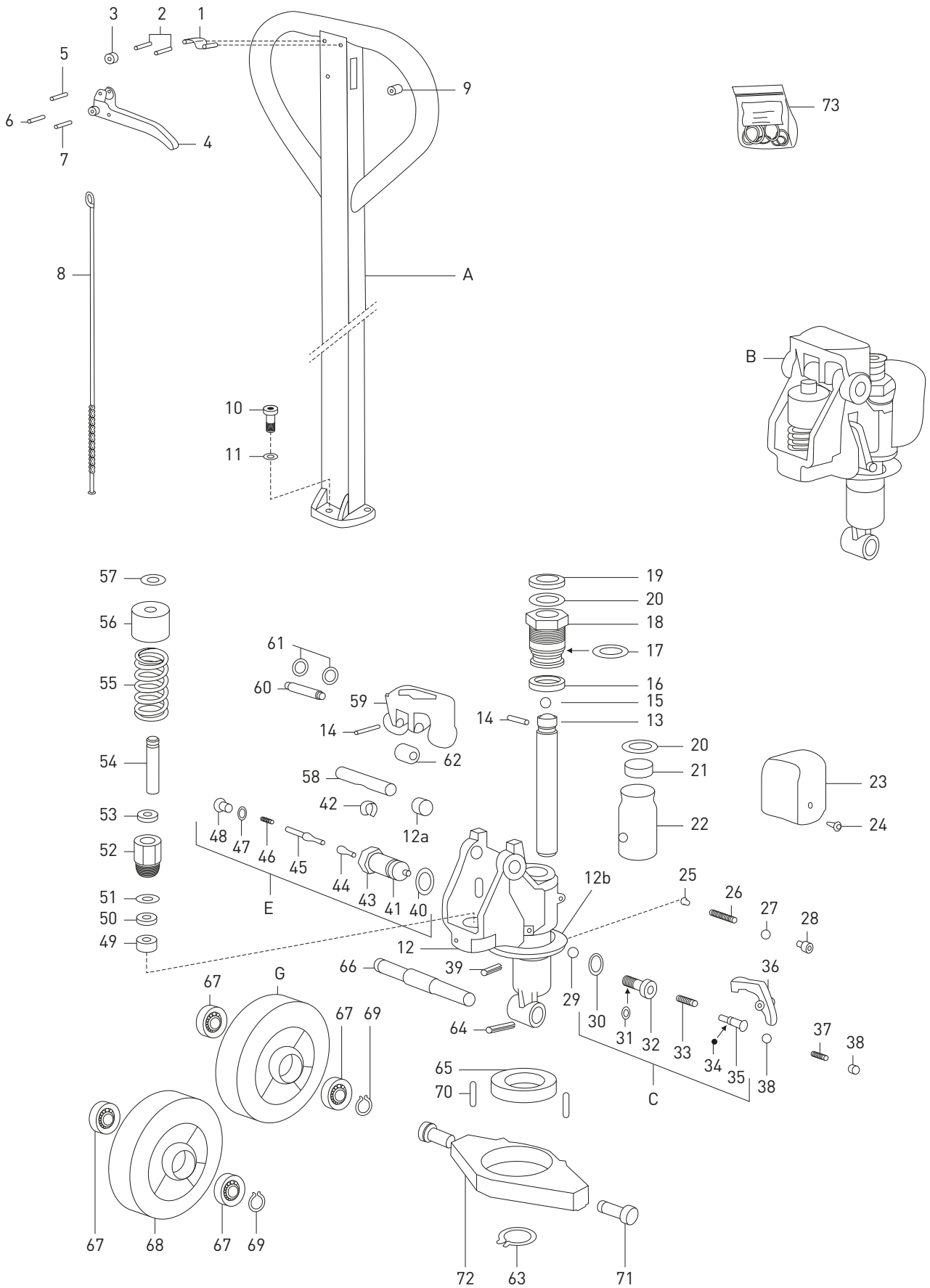
MAIN FRAME MIC TM 22 QUICK (30/04/1999–1/10/2003)

Nr	Description	Qty	REF	Nr	Description	Qty	REF
1	Nut	2	107TA6761	34B	Wheel assembly, load (nylon) (black) (tandem)	4	107TA6860
2	Lock nut	2	107TA6795	35	Axle sleeve, load wheel	4	107TA6861
4	Shaft/bolt, entry roller	2	147TA3703	36	Shaft/bolt load wheel	4	107TA6862
5	Wheel, entry roller	2	107TA2888	37A	Carrier complete, load wheel (polyurethane)	2	107TA6863
6	Shaft, fork load wheel bracket to chassis	2	107TA6797	37B	Carrier complete, load wheel (nylon)	2	107TA6864
7	Bushing, fork load wheel bracket to push/pull rod	4	107TA6798				
8	Bushing, fork load wheel bracket to chassis	4	107TA6799				
9	Fork, bracket load wheel	2	107TA6800				
10	Axle, exit roller	2	107TA6801				
11	Wheel, exit roller	2	107TA6802				
12	Push/pull rod assembly, lift structure	2	107TA6803				
13	Shaft, push/pull rod non fork end	2	107TA6804				
14	Clamp	2	107TA6805				
15	Cover	1	107TA6806				
16	Guide	1	107TA6807				
17	Spring	1	107TA6808				
18	Shaft, torsion tube to thrust plate	4	107TA6804				
19	Cover	1	107TA6809				
20	Clamp	4	107TA6805				
21	Bushing, push/pull rod non fork end	6	107TA6810				
22	Torsion tube	1	107TA6811				
23	Ball bearing	4	107TA6849				
24A	Wheel assembly, load (polyurethane)	2	107TA6850				
24B	Load wheel (nylon)	2	147TA3704				
25	Shaft/bolt load wheel	2	107TA6851				
27A	Wheel assembly, load (polyurethane) (single)	2	147TA3702				
27B	Wheel assembly, load (nylon) (single)	2	107TA6853				
28	Nut	4	107TA6854				
29	Lock washer	4	107TA6855				
30	Fork, load wheel	4	107TA6856				
31	Bushing	4	107TA6857				
32	Ball bearing	8	107TA3176				
33A	Wheel assembly, load (polyurethane)	4	107TA6858				
33B	Wheel assembly, load (nylon) (black)	4	124TA2245				
34A	Wheel assembly, load (polyurethane) (tandem)	4	107TA6859				



TM 2000 (-1/03/1999)

HYDRAULIC UNIT MIC TM 2000 (-1/03/1999)





HYDRAULIC UNIT MIC TM 2000 (-1/03/1999)

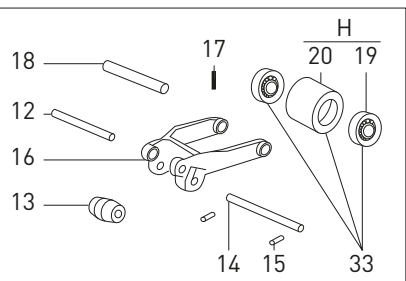
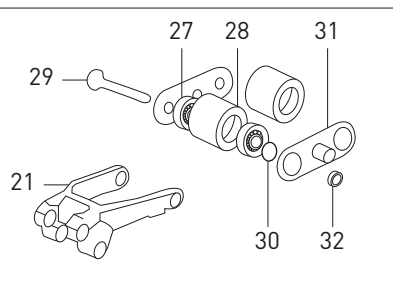
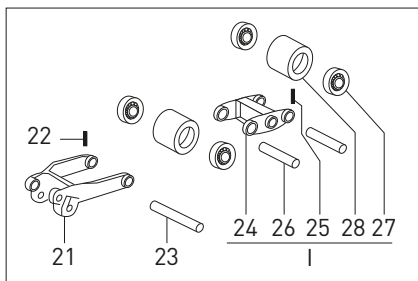
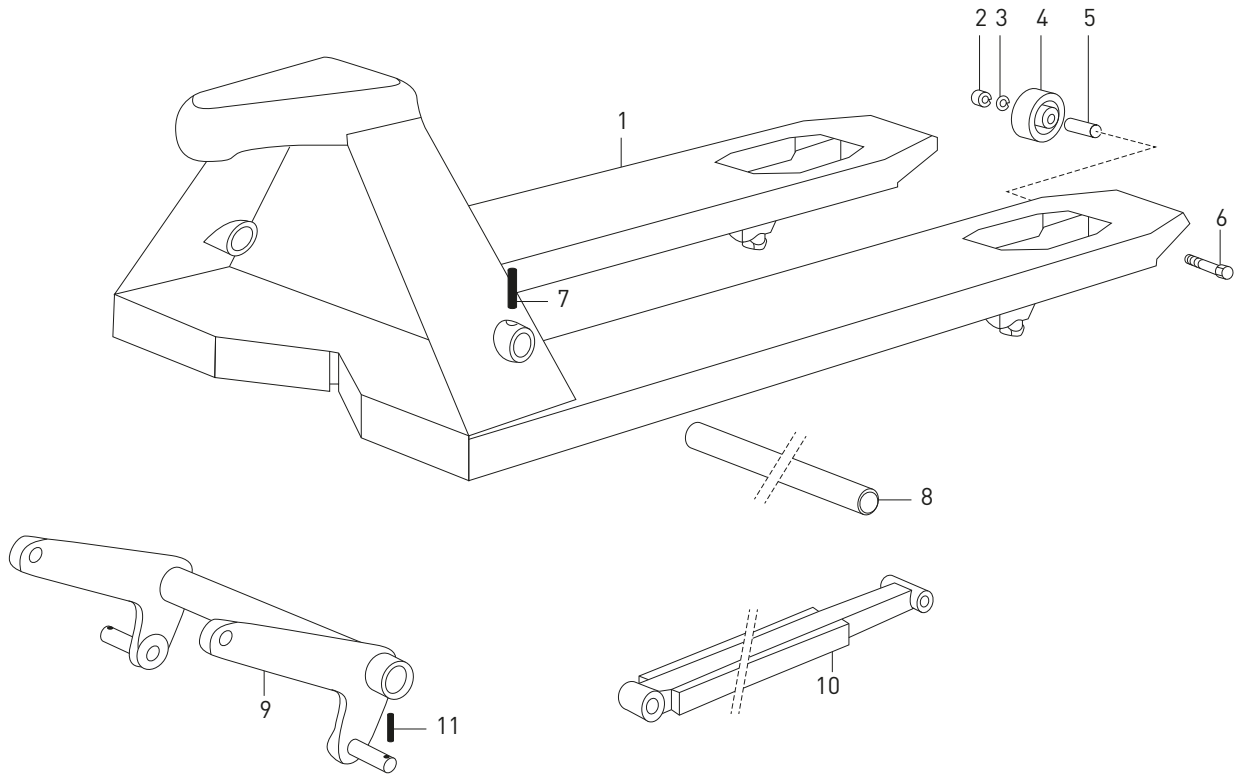
Nr	Description	Qty	REF
	Pump, hydraulic	1	107TA6690
A	Bracket, tiller arm	1	107TA6691
1	Spring	1	107TA6692
2	Elastic pin	2	107TA6693
3	Cam, handle grip	1	105TA2168
4	Lever lowering, tiller	1	106TA7042
5	Elastic pin	1	107TA6694
6	Elastic pin	1	107TA6695
7	Elastic pin	1	105TA2607
8	Rod complete, lowering	1	106TA6773
9	Edge protection	1	107TA6696
10	Screw	3	107TA6697
11	Washer (thickness: 1,5 mm)	3	107TA6698
B	Pump, hydraulic	1	105TA4609
12A	Housing	1	107TA6699
12B	Bushing, handle pivot	2	107TA6700
12C	Spacer, pivot bearing hydraulic pump unit to chassis	1	107TA6701
13	Piston, lift cylinder pallet truck	1	107TA6702
14	Elastic pin	2	107TA6703
15	Steel ball, lift cylinder piston pallet truck	1	107TA6704
16	Lip seal	1	107TA6705
17	O-ring	1	107TA6706
18	Body, hydraulic pump unit piston	1	107TA6707
19	Oil seal	1	107TA6708
20	O-ring	2	107TA6709
21	Cap, rubber	1	106TA7032
22	Tank	1	106TA6772
23	Protection, hydraulic pump unit oil tank	1	106TA7034
24	Screw	2	106TA7038
25	Cone	1	107TA6710
26	Spring	1	107TA6711
27	Plug	1	107TA6712
28	Plug (DIN 9)	1	107TA6713
29	Steel ball	1	107TA6714
C	Valve release, hydraulic unit	1	106TA7037
30	Sealing ring (copper)	1	105TA1267
31	O-ring	1	107TA6715
32	Body, valve	1	107TA6716
33	Spring	1	107TA6717
34	O-ring	1	107TA6718
35	Plunger, valve	1	107TA6719
D	Lever lift control	1	107TA6720
36	Lever lift control	1	107TA6721
37	Screw (adjusting)	1	107TA6722
38	Nut	2	107TA6723
39	Cotter pin	1	107TA6724
E	Valve release, hydraulic unit	1	107TA6725
40	Sealing ring (copper)	1	105TA1267
41	O-ring	1	107TA6715

Nr	Description	Qty	REF
42	Spring	1	107TA6726
43	Plunger housing	1	107TA6727
44	Plunger valve	1	107TA6728
45	Plunger, valve	1	107TA6729
46	Spring	1	107TA6730
47	Washer (copper) (thickness: 1,5 mm)	1	107TA6731
48	Screw, plug	1	107TA6732
49	Bushing (without collar)	1	107TA6733
50	Seal	1	107TA6734
51	Washer (copper) (thickness: 1,5 mm)	1	105TA1306
52	Body, hydraulic pump unit piston	1	107TA6735
53	Oil seal	1	107TA6736
54	Piston, hydraulic pump unit	1	107TA6737
55	Spring	1	107TA6738
56	Seat, spring (steel)	1	106TA7046
57	Circlip	1	107TA6739
58	Shaft, handle pivot	1	106TA7035
F	Bracket assembly	1	107TA6740
59	Bracket assembly	1	107TA6741
60	Pin, control handle pump roller	1	107TA6742
61	Circlip	2	107TA6743
62	Roller, control handle pump	1	107TA6744
63	Circlip	1	107TA6745
64	Cotter pin	1	107TA6724
65	Bearing, hydraulic unit pivot	1	107TA6746
66	Shaft, steer wheel	1	107TA6747
G1	Wheel assembly, steer (rubber) (aluminium rim) (with bearings)	2	107TA6748
G2	Wheel assembly, steer (polyurethane) (with bearings)	2	107TA6749
G3	Wheel assembly, steer (nylon) (with bearings)	2	107TA6750
G4	Wheel assembly, steer (steel) (with bearings)	2	107TA6751
67	Ball bearing	4	107TA6753
68A	Wheel assembly, steer (rubber) (aluminium rim) (without bearings)	2	107TA6754
68B	Wheel assembly, steer (polyurethane) (without bearings)	2	107TA6755
68C	Wheel assembly, steer (nylon) (without bearings)	2	107TA3159
68D	Wheel assembly, steer (steel) (without bearings)	2	107TA6756
69	Circlip	2	107TA6757
70	Elastic pin	2	107TA6758
71	Bolt	2	107TA6759
72	Thrust plate, hydraulic pump unit mounting	1	107TA6760
73	Kit seal, hydraulic unit	1	107TA6689



TM 2000 (-1/03/1999)

MAIN FRAME MIC TM 2000 (-1/03/1999)



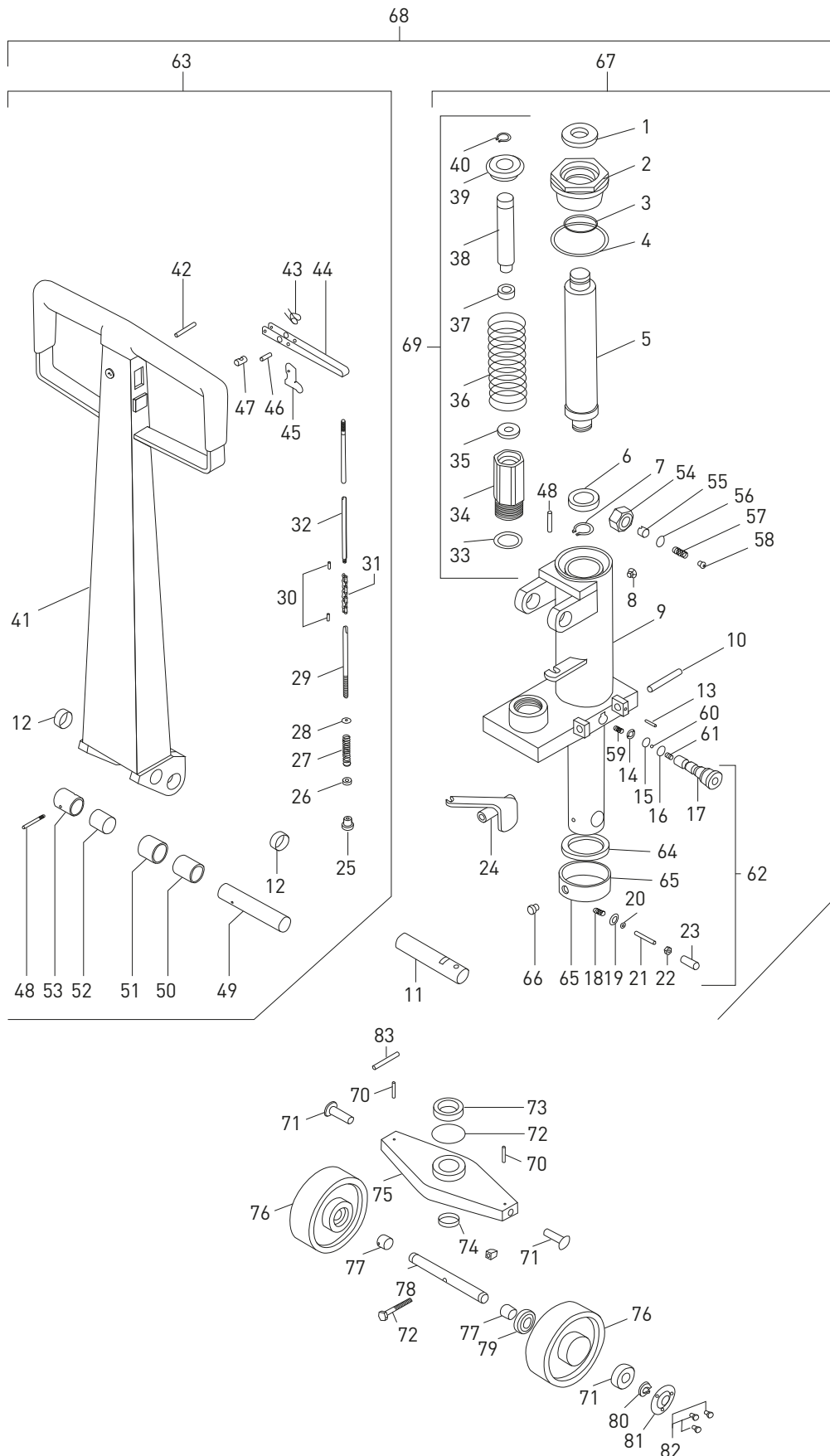


MAIN FRAME MIC TM 2000 (-1/03/1999)

Nr	Description	Qty	REF	Nr	Description	Qty	REF
1A	Chassis (540 x 800 mm)	1	124TA5731	11	Carrier complete, load wheel (polyurethane)	2	107TA6779
1B	Chassis (680 x 800 mm)	1	124TA5732	12	Carrier complete, load wheel (steel)	2	107TA6780
1C	Chassis (540 x 950 mm)	1	124TA5733	13	Carrier complete, load wheel (nylon)	2	107TA6781
1D	Chassis (680 x 950 mm)	1	124TA5734	24	Fork, load wheel	2	106TA6774
1E	Chassis (540 x 1150 mm)	1	124TA5735	25	Elastic pin	2	107TA6693
1F	Chassis (680 x 1150 mm) (30/04/1999-1/10/2003)	1	124TA5736	26	Axle (with 1 drilled hole)	4	107TA6782
2	Nut	2	107TA6761	27	Ball bearing	8	107TA6753
3	Lock washer	2	107TA6762	28A	Wheel assembly, load (polyurethane) (tandem) (without bearings)	4	107TA2514
4	Wheel, entry roller	2	107TA6763	28B	Wheel assembly, load (steel) (tandem) (without bearings)	4	107TA2956
6	Spacer, entry roller	2	105TA1796	28C	Bogie wheel (nylon) (tandem) (without bearings)	4	107TA2907
6	Shaft/bolt, entry roller	2	107TA6764	29	Shaft/bolt load wheel	2	106TA7039
7	Elastic pin	1	107TA6695	30	Bushing	2	105TA1621
8	Shaft pivot, torsion tube	1	107TA6765	31	Fork, load wheel	2	103TA7737
9	Torsion tube	1	107TA6766	32	Nut	2	107TA6783
10A	Push/pull rod assembly, lift structure (fork length: 800 mm)	2	107TA6767	33A	Wheel assembly, load (nylon) (tandem)	4	107TA2924
10B	Push/pull rod assembly, lift structure (fork length: 950 mm)	2	147TA3698	33B	Wheel assembly, load (polyurethane) (tandem)	4	128TA4336
10C	Push/pull rod assembly, lift structure (fork length: 1150 mm)	2	147TA3697				
11	Elastic pin	2	107TA6770				
12	Shaft, fork load wheel bracket to chassis	2	107TA6771				
13	Wheel, entry roller	2	107TA6772				
14	Axle, exit roller	2	106TA7033				
15	Elastic pin	4	107TA6770				
16	Bearing, entry roller	2	103TA7872				
17	Elastic pin	2	107TA6693				
18	Shaft/bolt load wheel	2	107TA6773				
H1	Wheel assembly, load (polyurethane) (single)	2	107TA6774				
H2	Wheel assembly, load (steel) (single)	2	107TA6775				
H3	Wheel assembly, load (nylon) (single)	2	107TA6776				
19	Ball bearing	4	107TA6753				
20A	Wheel assembly, load (polyurethane)	2	107TA2533				
20B	Wheel assembly, load (steel)	2	107TA6777				
20C	Wheel assembly, load (nylon)	2	107TA6778				
21	Fork, load wheel	2	103TA7872				
22	Elastic pin	4	107TA6693				
23	Shaft/bolt load wheel	2	107TA6773				



HYDRAULIC UNIT NIELSEN HOLST PL15/25/30 SERIES 33/34/35/36/37





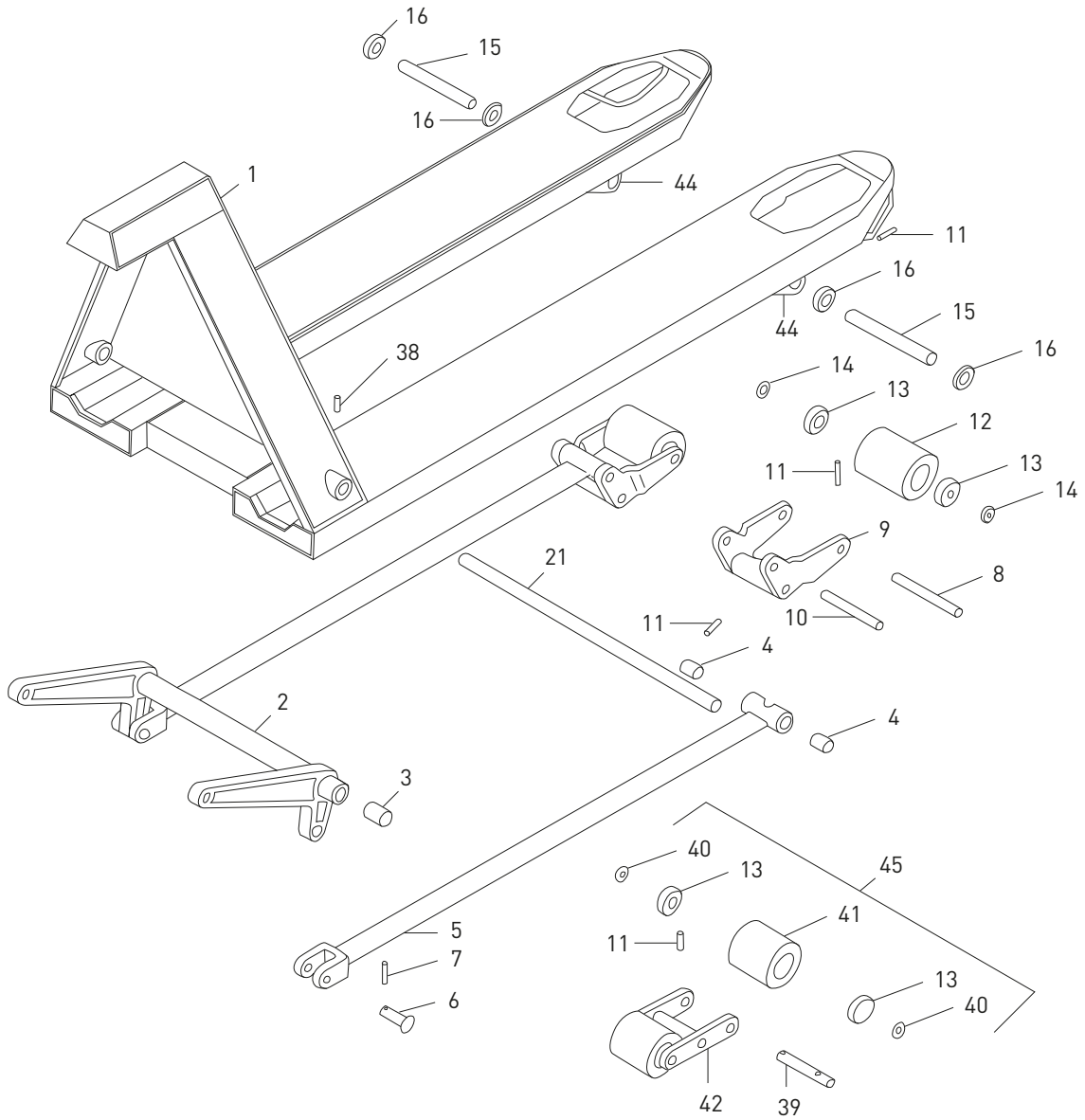
HYDRAULIC UNIT NIELSEN HOLST PL15/25/30 SERIES 33/34/35/36/37

Nr	Description	Qty	REF
1	Lip seal	1	124TA2435
2	Body, hydraulic pump unit piston	1	124TA2452
3	O-ring	1	124TA2387
4	Bushing (steel) (without collar)	1	124TA2388
5	Piston, lift cylinder pallet truck	1	124TA2453
6	Lip seal	1	124TA2454
7	Circlip	1	124TA2436
8	Cap, rubber	1	124TA2455
9	Base plate	1	124TA2456
10	Axle	1	124TA2457
11	Shaft, handle pivot	1	124TA2458
12	Bushing	2	124TA2459
13	Elastic pin	1	124TA2400
14	Washer (copper) (thickness: 0,9 mm)	1	105TA1222
15	O-ring	1	131TA5490
16	O-ring	1	131TA5491
17	Valve release, hydraulic unit	1	124TA2403
18	Spring	1	124TA2404
19	Washer (thickness: 0,8 mm)	1	124TA2405
20	Circlip	1	124TA2406
21	Elastic pin	1	124TA2407
22	Lip seal	1	124TA2408
23	Pin	1	124TA2409
24	Lever lift control	1	124TA2410
25	Nut	1	124TA2411
26	Nut	1	124TA2412
27	Spring	1	124TA2413
28	Washer (nylon) (thickness: 1 mm)	1	124TA5737
29	Chain, hydraulic unit	1	124TA2414
30	Link, chain	2	124TA2415
31	Chain, hydraulic unit	1	124TA2416
32	Chain, hydraulic unit	1	124TA2417
33	Sealing ring (copper) (thickness: 1 mm)	1	124TA2418
34	Body, hydraulic pump unit piston	1	124TA2419
35	Oil seal	1	124TA2420
36	Spring, control handle return torsion	1	124TA2421
37	Lip seal	1	124TA2422
38	Piston, hydraulic pump unit	1	124TA2460
39	Cap, control handle pivot return spring	1	124TA2461
40	Circlip	1	124TA2657
41	Bracket, tiller arm	1	124TA2462
42	Elastic pin	1	124TA2463
43	Spring, release	1	124TA2431
44	Lever lowering, tiller	1	124TA2464
45	Trigger, release	1	124TA2465
46	Elastic pin	1	124TA2466
47	Cross-head	1	124TA2658

Nr	Description	Qty	REF
48	Elastic pin	2	124TA2395
49	Pin, control handle pump roller	1	124TA2467
50	Bushing, control handle pump roller	1	124TA2468
51	Roller, control handle pump	1	124TA2469
52	Bushing, control handle pump roller	1	124TA2470
53	Roller, control handle pump	1	124TA2471
54	Cap, end	1	124TA2472
55	Screw (adjusting)	1	124TA2473
56	O-ring	1	124TA2474
57	Spring	1	124TA2475
58	Cone	1	124TA2476
59	Spring	1	124TA2477
60	Steel ball	1	124TA2478
61	Overload pin	1	124TA2479
62	Kit repair, valve unit	1	124TA2480
63	Handle assembly	1	124TA2481
64	Spacer, pivot bearing hydraulic pump unit to chassis	1	124TA2659
65	Bushing	1	124TA2482
66	Grease nipple	1	124TA2437
67	Hydraulic unit	1	124TA2483
68	Body, hydraulic pump unit piston	1	124TA2484
69	Body, hydraulic pump unit piston	1	124TA2485
70	Cotter pin	2	124TA2392
71	Axle (with lip)	1	124TA2486
72	O-ring	1	124TA2438
73	Bearing, hydraulic unit pivot	1	124TA2439
74	Sealing ring (aluminium) (thickness: 2 mm)	1	124TA2440
75A	Thrust plate, hydraulic pump unit mounting (fork width: 540 mm)	1	124TA2441
75B	Thrust plate, hydraulic pump unit mounting (fork width: 680 mm)	1	124TA2442
76A	Wheel assembly, steer (nylon)	2	124TA2443
76B	Wheel assembly, steer (rubber)	2	124TA2444
76C	Wheel assembly, steer (polyurethane)	2	124TA2445
77	Bushing	2	124TA2446
78	Shaft, steer wheel	1	124TA2447
79	Ball bearing	4	124TA2448
80	Circlip	3	124TA2436
81	Cap, front wheel hub	2	124TA2449
82A	Screw (Vulkollan® wheel)	6	124TA2450
82B	Screw (nylon wheel)	6	124TA2451
83	Elastic pin	1	124TA5738
	Gasket set	1	107TA7030



MAIN FRAME NIELSEN HOLST PL15/25/30 SERIES 33/34/35/36/37



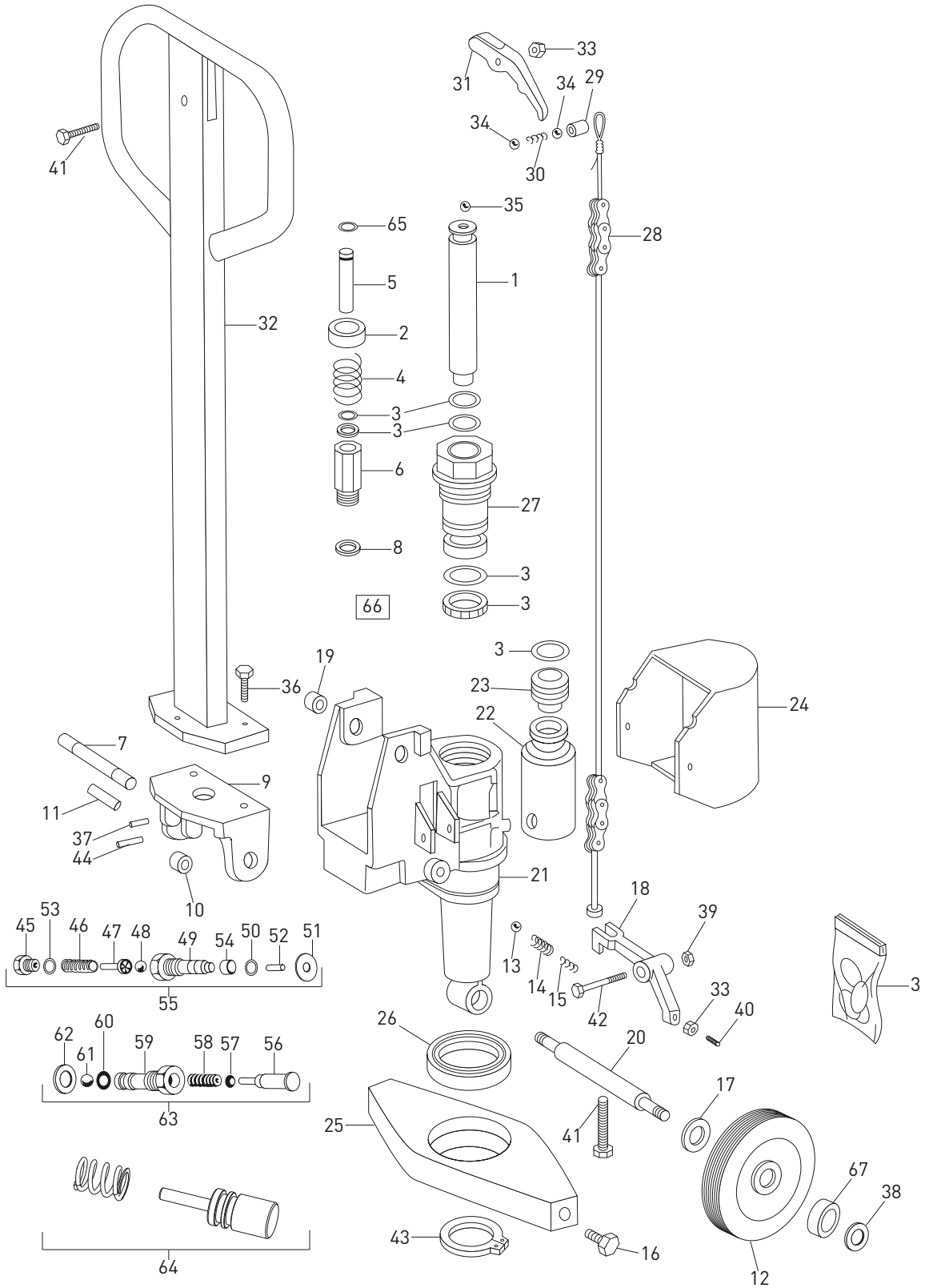


MAIN FRAME NIELSEN HOLST PL15/25/30 SERIES 33/34/35/36/37

Nr	Description	Qty	REF	Nr	Description	Qty	REF
1	Lip seal	1	124TA2435	28	Washer (nylon) (thickness: 1 mm)	1	124TA5737
2A	Torsion tube (fork width: 480 mm)	1	124TA2385	29	Chain, hydraulic unit	1	124TA2414
2B	Torsion tube (fork width: 520 mm)	1	124TA2384	30	Link, chain	2	124TA2415
2C	Torsion tube (fork width: 680 mm)	1	124TA2386	31	Chain, hydraulic unit	1	124TA2416
3	Bushing, torsion tube pivot	2	124TA2387	32	Chain, hydraulic unit	1	124TA2417
4	Bushing, push/pull rod fork end	4	124TA2388	33	Sealing ring (copper) (thickness: 1 mm)	1	124TA2418
5A	Push/pull rod assembly, lift structure (for PL15/25)	2	124TA2389	34	Pump cylinder	1	124TA2419
5B	Push/pull rod assembly, lift structure (for PL30)	2	124TA2390	35	Oil seal	1	124TA2420
6	Shaft, push/pull rod non fork end	2	124TA2391	36	Spring	1	124TA2421
7	Cotter pin	2	124TA2392	37	Lip seal	1	124TA2422
8	Shaft/bolt load wheel	2	124TA2393	38	Cotter pin	1	124TA2423
9	Fork, bracket load wheel	2	124TA2394	39	Shaft/bolt load wheel	2	124TA2424
10	Shaft, push/pull rod fork end	2	124TA2383	40	Shim (nylon) (thickness: 2,5 mm)	8	124TA2425
11	Lock pin	6	124TA2395	41A	Wheel assembly, load (nylon)	4	124TA2426
12A	Wheel assembly, load (nylon) (single) (without bearings)	2	124TA2396	41B	Wheel assembly, load (Vulkollan®)	4	124TA2427
12B	Wheel assembly, load (Vulkollan®) (single) (without bearings)	2	124TA2397	41C	Wheel assembly, load (polyurethane)	4	124TA2428
12C	Wheel assembly, load (polyurethane) (nylon rim) (single) (without bearings)	2	124TA2398	41D	Wheel assembly, load (steel)	4	124TA2429
12D	Wheel assembly, load (steel) (single) (without bearings)	2	124TA2399	42	Fork, load wheel	2	124TA2430
13	Ball bearing	4	128TA4352	43	Spring, release	1	124TA2431
14	Shim (copper) (thickness: 0,9 mm)	4	105TA1222	44	Bearing, sheet	2	124TA5739
15	Shaft/bolt load wheel	2	131TA5492	45A	Bogie assembly (nylon) (tandem)	2	124TA2432
16	Bushing (synthetic) (without collar)	4	131TA5493	45B	Bogie assembly (Vulkollan®) (tandem)	2	124TA2433
17	Valve release, hydraulic unit	1	124TA2403	45C	Bogie assembly (polyurethane) (tandem)	2	124TA2434
18	Spring	1	124TA2404				
19	Washer (thickness: 0,8 mm)	1	124TA2405				
20	Circlip	1	124TA2406				
21	Elastic pin	1	124TA2407				
22	Lip seal	1	124TA2408				
23	Pin	1	124TA2409				
24	Lever lift control	1	124TA2410				
25	Nut	1	124TA2411				
26	Nut	1	124TA2412				
27	Spring	1	124TA2413				



HYDRAULIC UNIT PRAMAC LIFTER GS





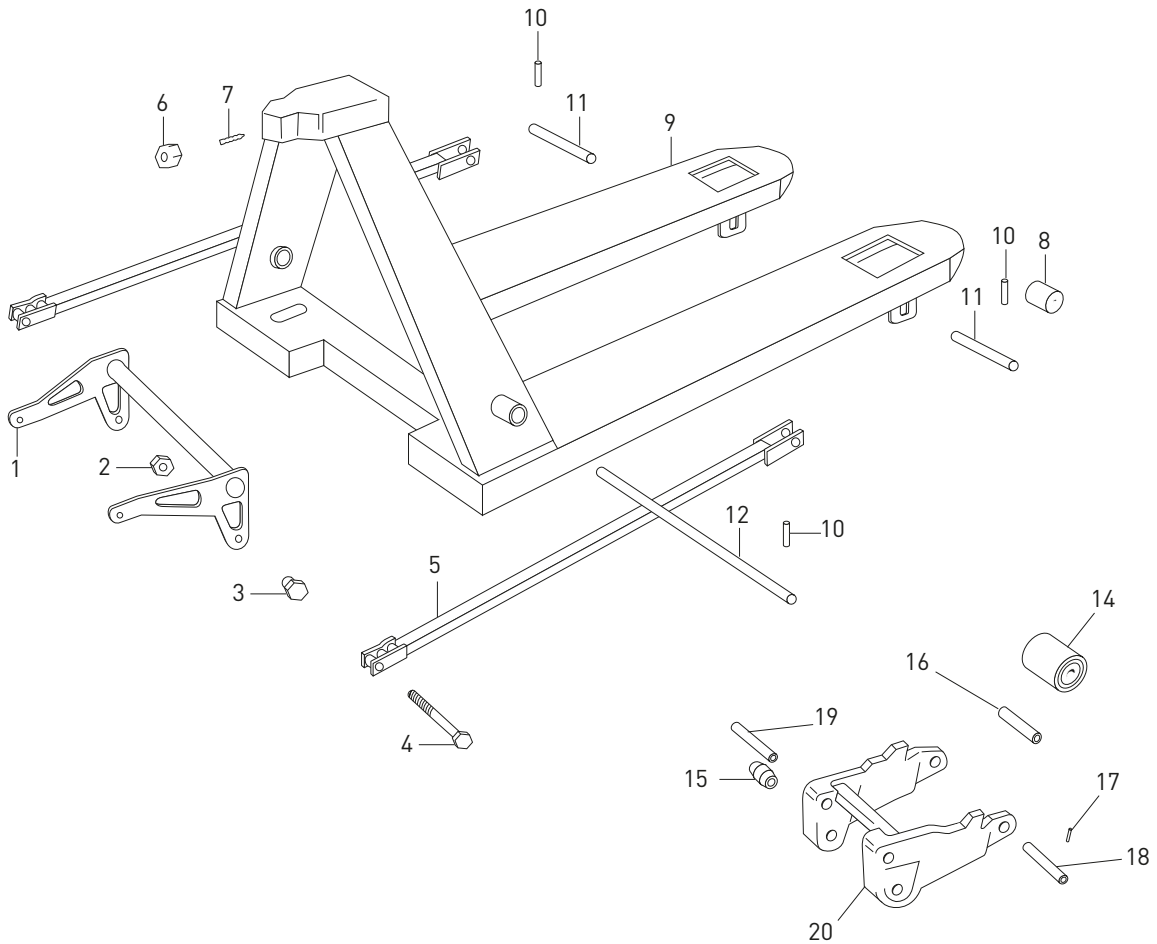
HYDRAULIC UNIT PRAMAC LIFTER GS

Nr	Description	Qty	REF
1	Piston, lift cylinder pallet truck	1	122TA6920
2	Cap, control handle pivot return spring	1	122TA6921
3A	Kit seal, hydraulic unit (31/03/2003) (-657540)	1	107TA7016
3B	Kit seal, hydraulic unit (1/04/2003-) (657541-)	1	122TA6922
4	Spring, control handle return torsion	1	122TA6923
5B	Piston, hydraulic pump unit	1	123TA9533
6A	Body, hydraulic pump unit piston	1	122TA6925
6B	Body, hydraulic pump unit piston (-31/03/2003)	1	123TA9534
7	Shaft, handle pivot	1	122TA6926
8	Sealing ring (copper) (thickness: 1,5 mm)	1	122TA6927
9	Bracket (tiller pivot)	1	122TA6928
10	Roller, control handle pump	1	122TA6929
11	Pin, control handle pump roller	1	122TA6930
12A	Wheel assembly, steer (rubber)	2	124TA2343
12B	Wheel assembly, steer (polyurethane) (aluminium rim)	2	124TA2344
12C	Wheel assembly, steer (nylon)	2	124TA2345
12D	Wheel assembly, steer (polyurethane) (nylon rim)	2	147TA4235
13	Steel ball	1	122TA6934
14	Spring	1	122TA6935
15	Screw	1	122TA6936
16	Shaft, torsion tube to thrust plate	2	122TA6937
17	Washer (plastic) (thickness: 3,8 mm)	2	122TA6938
18	Lever lift control	1	122TA6939
19	Bushing, handle pivot	2	122TA6940
20	Shaft, steer wheel	1	122TA6941
21A	Housing, pump (1/04/2003-)	1	122TA6943
21B	Pump housing (-31/03/2003)	1	122TA6942
22	Tank, hydraulic oil	1	122TA6944
23	Cap, rubber	1	122TA6945
24	Protection, hydraulic pump unit oil tank	1	122TA6946
25A	Thrust plate, hydraulic pump unit mounting (-30/06/1998)	1	122TA6947
25B	Thrust plate, hydraulic pump unit mounting (1/07/1998-)	1	122TA6948
26	Bearing, hydraulic unit pivot	1	122TA6949
27	Body, hydraulic pump unit piston	1	122TA6950

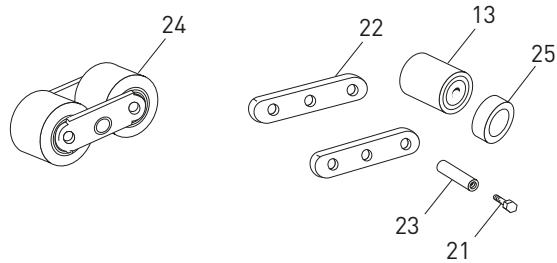
Nr	Description	Qty	REF
28A	Rod complete, lowering (-31/03/2003)	1	122TA6951
28B	Rod complete, lowering (1/04/2003-)	1	122TA6952
29	Bushing (without collar)	1	105TA1804
30	Spring	1	122TA6953
31	Lever lowering, tiller	1	122TA6954
32	Bracket, tiller arm	1	122TA6955
33	Nut	1	122TA6956
34	Steel ball	2	122TA6957
35	Steel ball, lift cylinder piston pallet truck	1	122TA6958
36	Bolt	3	122TA6959
37	Elastic pin	1	122TA6960
38	Circlip	2	122TA6961
39	Lock nut	1	122TA6962
40	Screw	1	122TA6963
41	Bolt	1	122TA6964
42	Bolt	1	122TA6965
43	Circlip	1	122TA6966
44	Elastic pin	1	122TA6967
45	Plug	1	122TA6968
46	Spring	1	122TA6969
47	Axle	1	122TA6970
48	Steel ball	1	122TA6934
49	Valve release, hydraulic unit	1	122TA6971
50	O-ring	1	122TA6972
51	Bonded seal	1	105TA1268
52	Elastic pin	1	122TA6973
53	Sealing ring (aluminium) (thickness: 3 mm)	1	122TA6974
54	Spring	1	122TA6975
55	Valve release, hydraulic unit	1	106TA6784
56	Plunger, valve	1	122TA6976
57	O-ring	2	122TA6977
58	Spring	1	122TA6978
59	Valve release, hydraulic unit	1	122TA6979
60	O-ring	1	122TA6972
61	Steel ball	1	122TA6957
62	Bonded seal	1	105TA1268
63	Valve release, hydraulic unit (-31/03/2003) (-657540)	1	106TA6783
64	Valve release, hydraulic unit (1/04/2003-) (657540-)	1	124TA7533
65	Circlip	1	122TA6980
66	Hydraulic unit	1	123TA9535
67	Bearing	4	107TA3175
68	Handle assembly	1	124TA2381



MAIN FRAME PRAMAC LIFTER GS



TANDEM



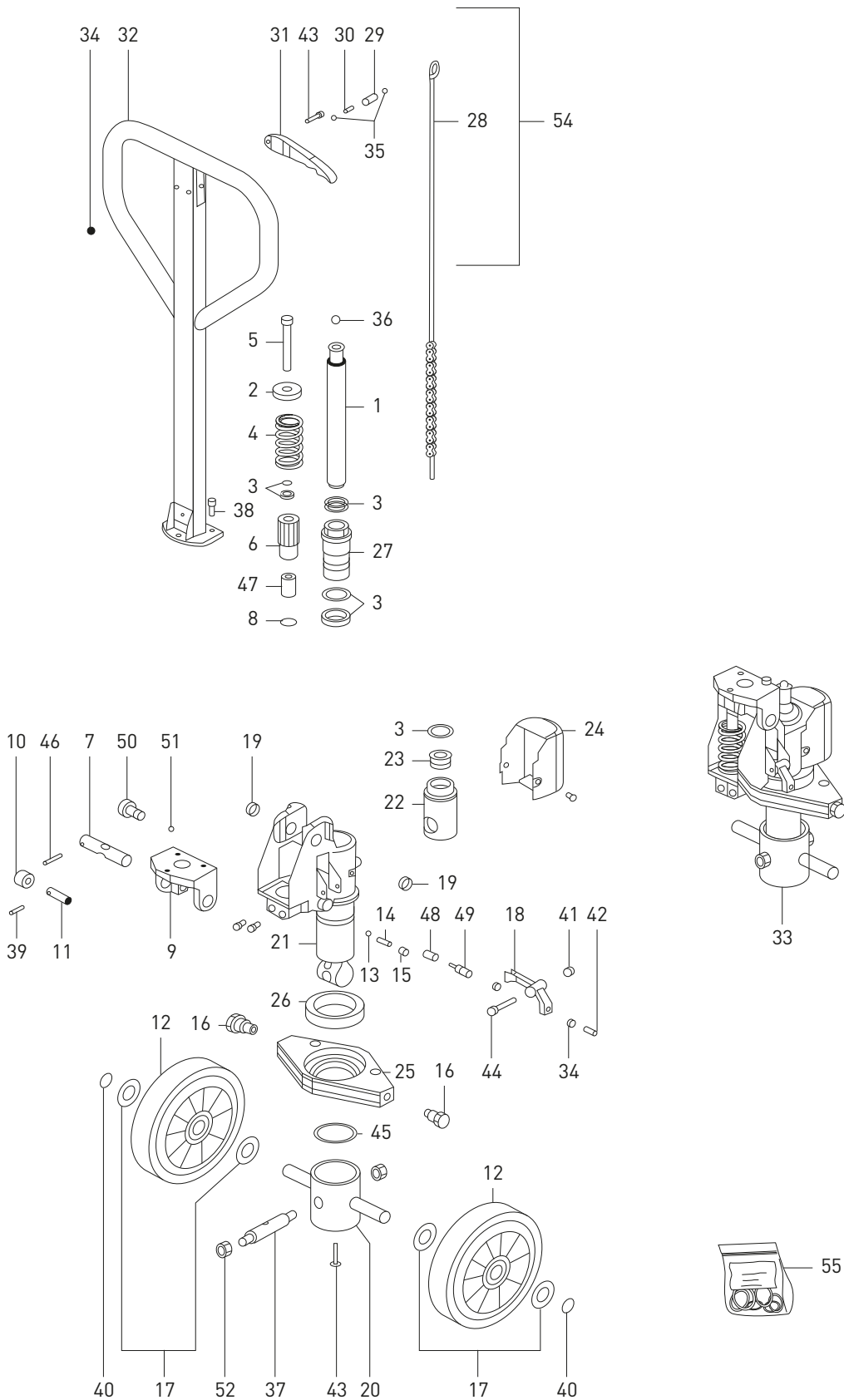


MAIN FRAME PRAMAC LIFTER GS

Nr	Description	Qty	REF	Nr	Description	Qty	REF
1	Torsion tube	1	122TA6982				
2	Nut	2	122TA6983				
3	Cam (-28/02/2003)	2	122TA6984				
3	Bushing (1/03/2003-)	2	122TA6985				
4	Shaft, push/pull rod non fork end	2	122TA6986				
5	Push/pull rod assembly, lift structure (fork length: 1150 mm)	2	122TA6987				
6	Nut	1	122TA6988				
7	Screw	1	122TA6989				
8	Wheel, entry roller	2	122TA6990				
9	Chassis (fork length: 1150 mm)	1	122TA6991				
10	Elastic pin	2	122TA6992				
11	Shaft, fork load wheel bracket to chassis	2	122TA6993				
12	Shaft pivot, torsion tube	1	122TA6994				
15	Wheel, exit roller	2	122TA6998				
16	Shaft/bolt load wheel	2	105TA1657				
17	Elastic pin	2	122TA6960				
18	Axle	2	122TA6999				
19	Axle	2	122TA7000				
20	Fork, bracket load wheel	2	103TA7894				
21	Bolt	4	122TA7001				
23	Shaft/bolt load wheel	4	122TA7003				
25	Bearing	4 or 8	107TA3175				
13A	Wheel assembly, load (nylon) (tandem)	4	122TA6995				
13B	Wheel assembly, load (polyurethane) (tandem)	4	122TA6996				
14A	Wheel assembly, load (nylon) (single)	2	124TA2502				
14B	Wheel assembly, load (polyurethane) (single)	2	122TA6997				
22A	Fork, load wheel (-31/08/2001)	4	103TA7718				
22B	Fork, load wheel (1/09/2001-)	4	122TA7002				
24A	Carrier complete, load wheel (nylon) (tandem)	2	108TA4053				
24B	Carrier complete, load wheel (polyurethane) (tandem)	2	108TA4052				



HYDRAULIC UNIT PRAMAC LIFTER GS PREMIUM



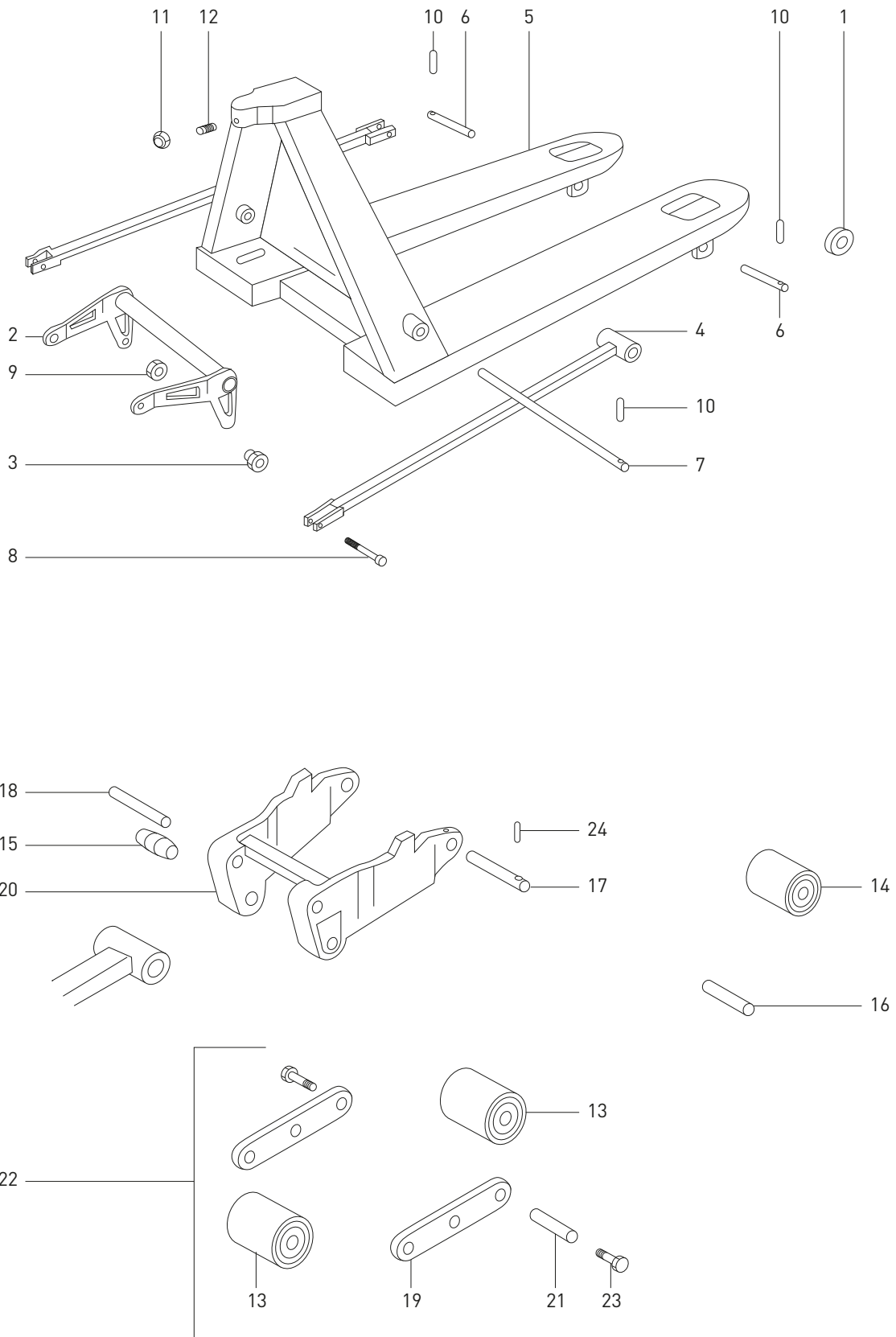


HYDRAULIC UNIT PRAMAC LIFTER GS PREMIUM

Nr	Description	Qty	REF	Nr	Description	Qty	REF
1	Piston, lift cylinder pallet truck	1	124TA5740	32	Bracket, tiller arm	1	124TA2361
2	Cap, control handle pivot return spring	1	124TA2333	33	Hydraulic unit	1	124TA2362
3	Kit seal, hydraulic unit	1	124TA2334	34	Nut	1	124TA2363
4	Spring, control handle return torsion	1	124TA2335	35	Steel ball	1	124TA2364
5	Piston, hydraulic pump unit	1	124TA2336	36	Steel ball	1	124TA2365
6	Body, hydraulic pump unit piston	1	124TA2337	37	Axle	1	124TA2366
7	Shaft, handle pivot	1	124TA2338	38	Bolt	1	124TA2367
8	Sealing ring (copper) (thickness: 16 mm)	1	124TA2339	39	Elastic pin	1	124TA2368
9	Bracket (tiller pivot)	1	124TA2340	40	Circlip	2	124TA2369
10	Roller, control handle pump	1	124TA2341	41	Lock nut	1	124TA2370
11	Pin, control handle pump roller	1	124TA2342	42	Screw	1	124TA2371
12A	Wheel assembly, steer (rubber)	2	124TA2343	43	Bolt	1	124TA2372
12B	Wheel assembly, steer (polyurethane) (aluminium rim)	2	124TA2344	44	Bolt	1	124TA2373
12C	Wheel assembly, steer (nylon)	2	124TA2345	45	Circlip	1	124TA2374
13	Cone	1	124TA5743	46	Elastic pin	1	124TA2375
14	Spring	1	124TA2346	47	Bushing	1	124TA2376
15	Screw	1	124TA2347	48	Spring	1	124TA2377
16	Shaft, torsion tube to thrust plate	2	124TA2348	49	Plunger, valve	1	124TA2378
17	Washer (plastic) (thickness: 3,8 mm)	4	124TA2349	50	Valve release, hydraulic unit	1	124TA2379
18	Lever lift control	1	124TA2350	51	Steel ball	1	124TA2364
19	Bushing (without collar)	2	124TA2351	52	Lock nut	1	124TA2380
20	Shaft, steer wheel	1	124TA2352	53	Handle assembly	1	124TA2381
21	Pump housing	1	124TA5741	54	Handle assembly	1	124TA2382
22	Tank, hydraulic oil	1	124TA2353	55	Kit seal, hydraulic unit	1	124TA2334
23	Cap (rubber)	1	124TA2354				
24	Protection, hydraulic pump unit oil tank	1	124TA2355				
25	Thrust plate, hydraulic pump unit mounting	1	124TA2356				
26	Bearing, hydraulic unit pivot	1	124TA5742				
27	Body, hydraulic pump unit piston	1	124TA2357				
28	Rod complete, lowering	1	124TA2358				
29	Bushing (without collar)	1	124TA2359				
30	Spring	1	122TA6953				
31	Lever lowering, tiller	1	124TA2360				

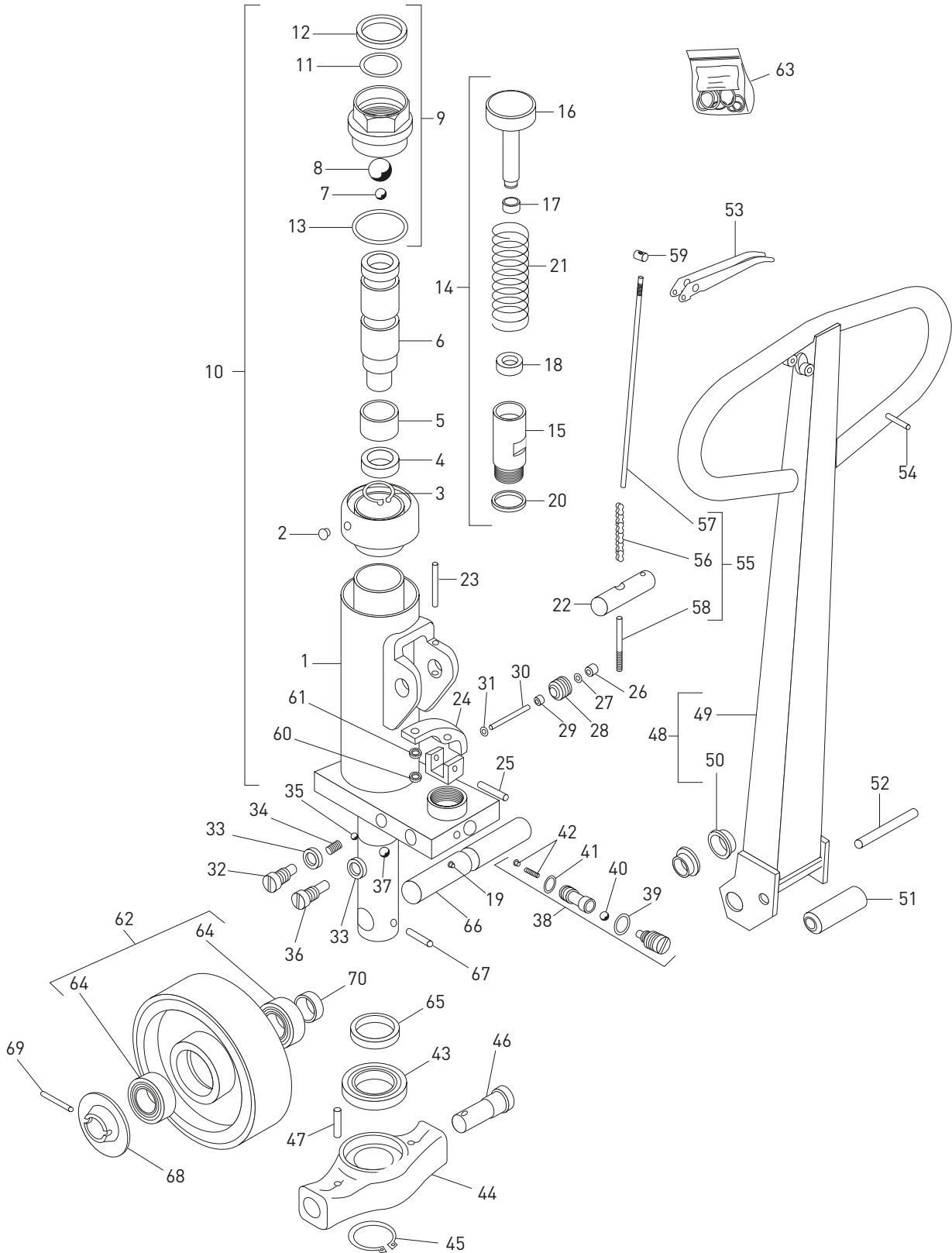


MAIN FRAME PRAMAC LIFTER GS PREMIUM





HYDRAULIC UNIT ROCLA H25





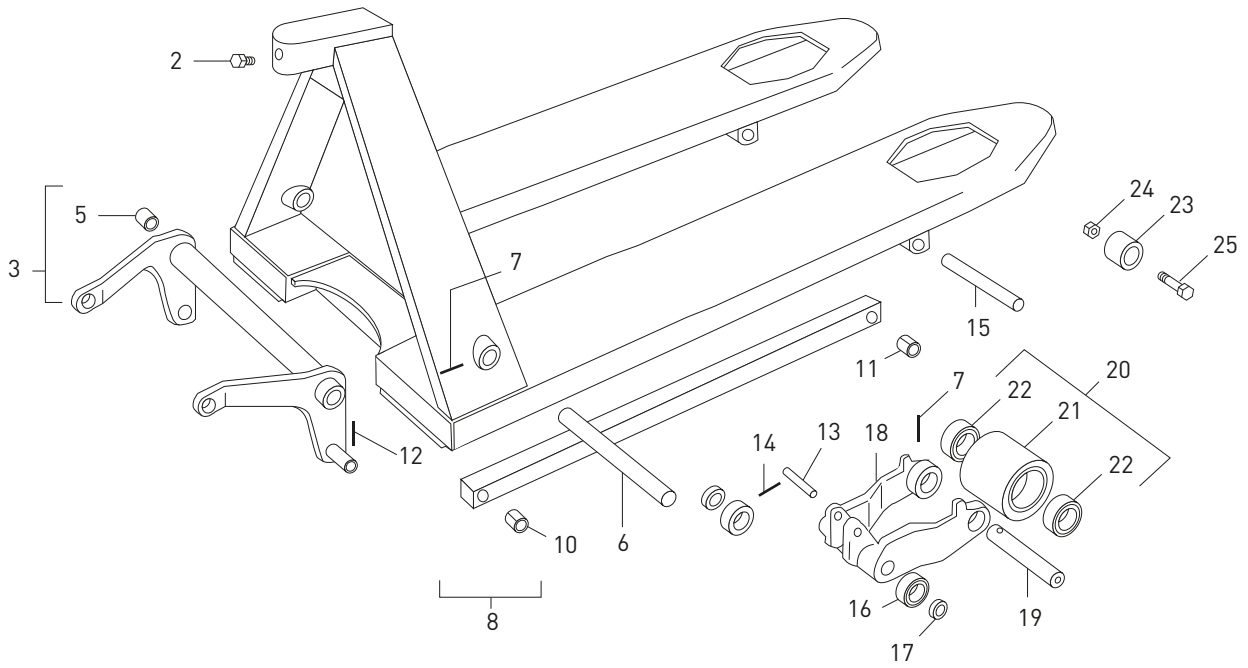
HYDRAULIC UNIT ROCLA RH25

Nr	Description	Qty	REF
1	Pump housing	1	120TA9930
2	Cap, rubber	1	120TA9931
3	Circlip	1	147TA3931
4	Lip seal	1	120TA9933
5	Bushing	1	120TA9934
6	Piston, lift cylinder pallet truck	1	120TA9935
7	Steel ball	1	147TA3932
8	Steel ball	1	120TA9937
9	Body, hydraulic pump unit piston	1	147TA3928
10	Hydraulic unit	1	147TA3919
11	O-ring	1	147TA3922
12	Wiper ring (rubber)	1	120TA9940
13	O-ring	1	147TA3923
14	Body, hydraulic pump unit piston	1	105TA4612
15	Body, hydraulic pump unit piston	1	120TA9942
16	Housing, pump	1	120TA9943
17	Lip seal	1	123TA6769
18	Oil seal	1	120TA9945
19	Cap	1	120TA9946
20	Sealing ring (copper) (thickness: 2 mm)	1	147TA3924
21	Spring, control handle return torsion	1	120TA9947
22	Shaft, handle pivot	1	120TA9948
23	Lock pin	1	120TA9949
24	Lever lift control	1	120TA9950
25	Elastic pin	1	120TA9951
26	Bushing (rubber)	1	120TA9952
27	Washer (thickness: 1,3 mm)	1	120TA9953
28	Valve screw	1	120TA9954
29	Lip seal	1	120TA9955
30	Pin, release	1	123TA6772
31	O-ring (4,47 x 1,78 mm)	1	120TA9957
32	Bolt (stepped)	1	120TA9958
33	Bonded seal	2	120TA9959
34	Spring	1	120TA9960
35	Steel ball	1	120TA9961
36	Valve screw	1	120TA9962
37	Steel ball	1	120TA9963
38	Valve release, hydraulic unit	1	147TA3927
39	O-ring	2	147TA3926

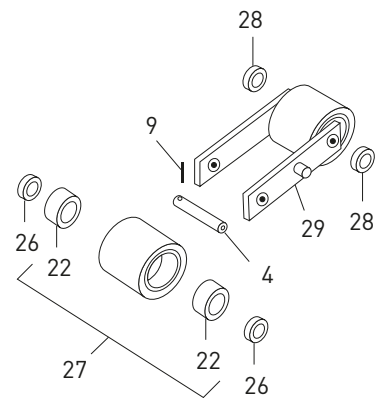
Nr	Description	Qty	REF
40	Steel ball	1	120TA9966
41	O-ring	2	120TA9967
42	Seat, spring (with spring)	1	120TA9968
43	Bearing, hydraulic unit pivot	1	120TA9969
44	Thrust plate, hydraulic pump unit mounting	1	120TA9970
45	Circlip	1	147TA3921
46	Axle	2	120TA9972
47	Elastic pin	2	147TA3934
48	Handle assembly	1	120TA9974
49	Bracket, tiller arm	1	123TA6777
50	Bushing, handle pivot	2	147TA3925
51	Roller, control handle pump	1	120TA9977
52	Pin, control handle pump roller	1	120TA9978
53	Lever lowering, tiller	1	120TA9979
54	Elastic pin	1	147TA3933
55	Rod complete, lowering	1	120TA9981
56	Chain, hydraulic unit	1	120TA9982
57	Rod complete, lowering (threaded)	1	120TA9983
58	Rod complete, lowering (threaded)	1	120TA9984
59	Adjustment part	1	147TA3936
60	Nut	1	120TA9986
61	Washer (thickness: 1,6 mm)	1	120TA9987
62A	Wheel assembly, steer (polyurethane) (nylon rim)	2	147TA3929
62B	Wheel assembly, steer (rubber)	2	107TA3136
62C	Wheel assembly, steer (nylon)	2	147TA3920
62D	Wheel assembly, load (Vulkollan®)	2	120TA9989
63	Kit seal, hydraulic unit	1	107TA7035
64	Ball bearing	4	147TA3937
65	Turning (nylon)	1	120TA9991
66	Shaft, steer wheel	1	120TA9992
67	Elastic pin	1	147TA3935
68	Cap, front wheel hub	2	120TA9994
69	Elastic pin	2	147TA3930
70	Bushing	2	105TA2313



MAIN FRAME ROCLA RH25

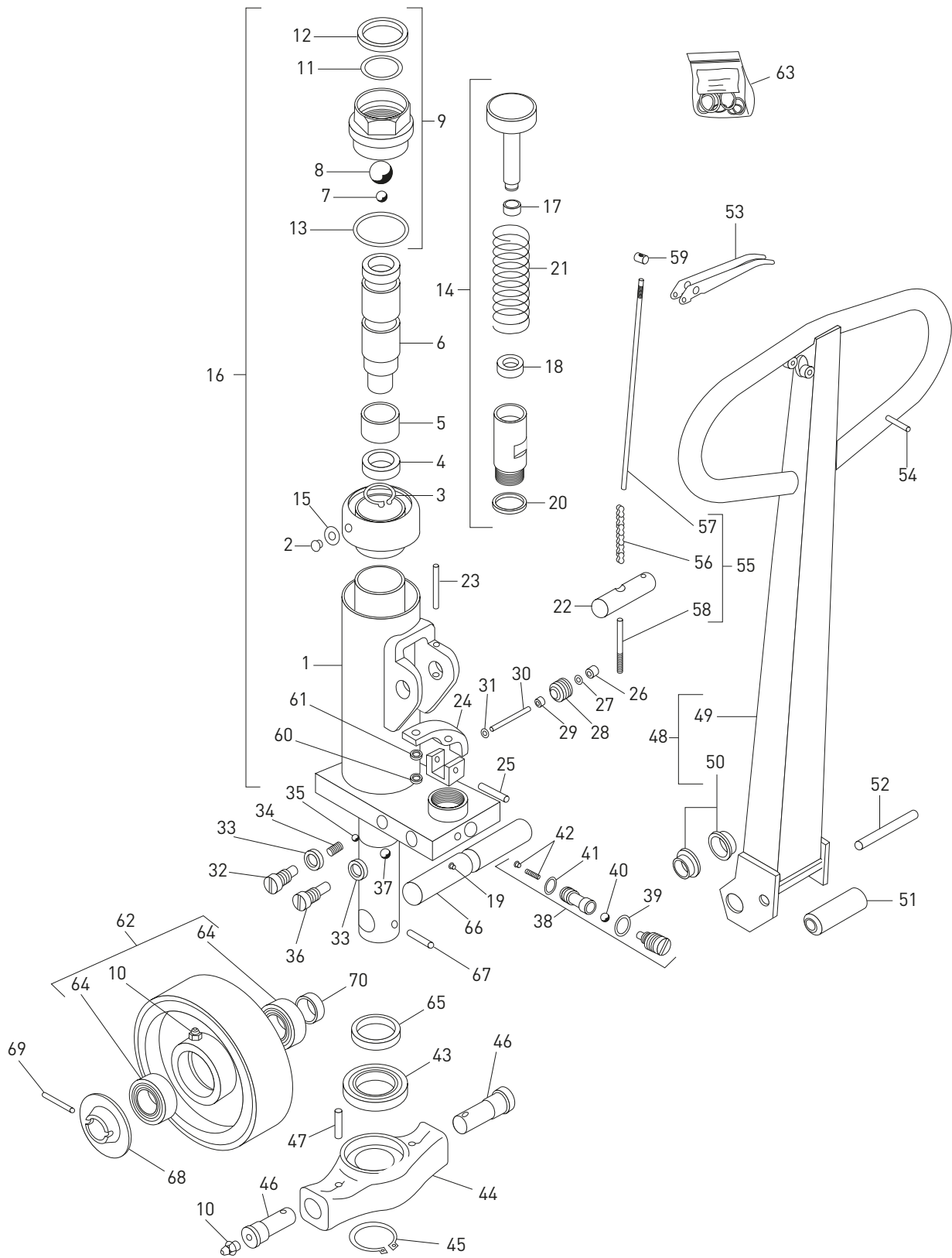


TANDEM





HYDRAULIC UNIT ROCLA RHS25



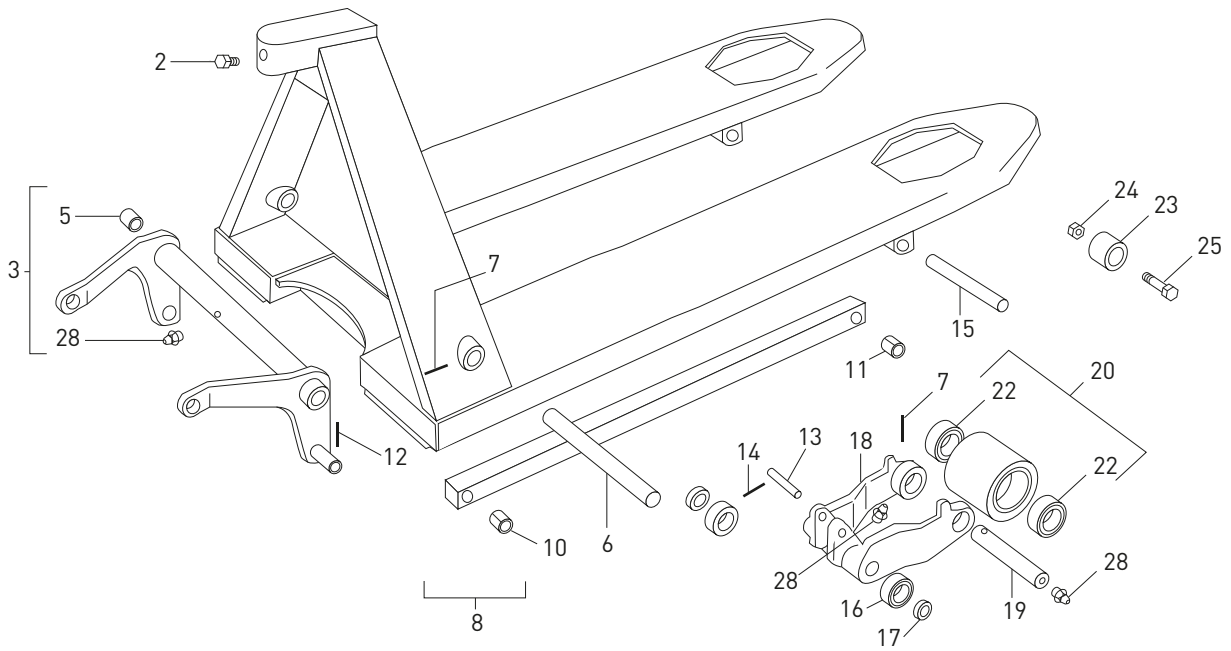


HYDRAULIC UNIT ROCLA RHS25

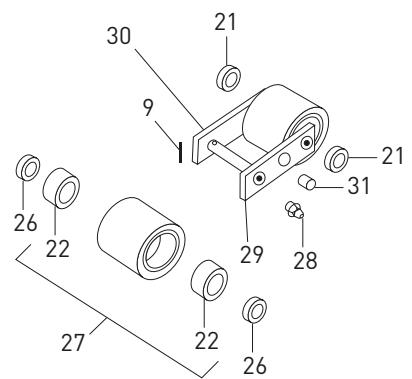
Nr	Description	Qty	REF	Nr	Description	Qty	REF
1	Pump housing	1	123TA8532	41	O-ring	2	120TA9967
2	Plug/screw	1	121TA1066	42	Seat, spring (with spring)	1	120TA9968
3	Circlip	1	147TA3931	43	Bearing, hydraulic unit pivot	1	120TA9969
4	Lip seal	1	120TA9933	44	Thrust plate, hydraulic pump unit mounting	1	121TA1079
5	Bushing	1	120TA9934	45	Circlip	1	147TA3965
6	Piston, lift cylinder pallet truck	1	120TA9935	46	Axle	2	147TA3973
7	Steel ball	1	147TA3932	47	Lock pin	2	147TA3967
8	Steel ball	1	120TA9937	48	Handle assembly	1	147TA3955
9	Body, hydraulic pump unit piston	1	121TA1068	49	Bracket, tiller arm	1	121TA1084
10	Hydraulic unit	5	147TA3961	50	Bushing, handle pivot	2	147TA3957
11	O-ring	1	147TA3922	51	Roller, control handle pump	1	120TA9977
12	Wiper ring (rubber)	1	120TA9940	52	Pin, control handle pump roller	1	121TA1085
13	O-ring	1	147TA3923	53	Lever lowering, tiller	1	147TA3971
14	Body, hydraulic pump unit piston (with pump piston)	1	147TA3954	54	Elastic pin	1	121TA1053
15	Bonded seal (10,7 x 16 x 1,5 mm)	1	121TA1100	55	Rod complete, lowering	1	147TA3969
16	Hydraulic unit	1	147TA3959	56	Chain, hydraulic unit	1	147TA3968
17	Lip seal	1	123TA6769	57	Rod complete, lowering (threaded)	1	121TA1089
18	Oil seal	1	120TA9945	58	Anchor, chain	1	147TA3952
19	Cap	1	120TA9946	59	Nut	1	123TA6778
20	Sealing ring (copper) (thickness: 2 mm)	1	147TA3924	60	Nut, nylon	1	147TA3962
21	Spring, control handle return torsion	1	147TA3970	61	Washer (thickness: 1,5 mm)	1	121TA1093
22	Shaft, handle pivot	1	147TA3951	62A	Wheel assembly, steer (polyurethane) (nylon rim)	2	147TA3929
23	Lock pin	1	120TA9949	62B	Wheel assembly, steer (nylon)	2	147TA3920
24	Lever lift control	1	147TA3960	63	Kit seal, hydraulic unit	1	107TA7035
25	Lock pin	1	147TA3958	64	Ball bearing	4	147TA3953
26	Bushing (rubber)	1	120TA9952	65	Turning (nylon)	1	120TA9991
27	Washer (thickness: 4,5 mm)	1	147TA3956	66	Shaft, steer wheel	1	147TA3972
28	Valve screw	1	120TA9954	67	Lock pin	1	121TA1098
29	Lip seal	1	120TA9955	68	Cap, front wheel hub	2	120TA9994
30	Pin, release	1	123TA6772	69	Lock pin	2	147TA3966
31	O-ring (4,47 x 1,78 mm)	1	120TA9957	70	Bushing	2	105TA2313
32	Bolt (stepped)	1	147TA3963				
33	Bonded seal	2	120TA9959				
34	Spring	1	120TA9960				
35	Steel ball	1	120TA9961				
36	Bolt	1	147TA3964				
37	Steel ball	1	120TA9963				
38	Valve release, hydraulic unit	1	121TA1078				
39	O-ring	2	147TA3926				
40	Steel ball	1	120TA9966				



MAIN FRAME ROCLA RHS25

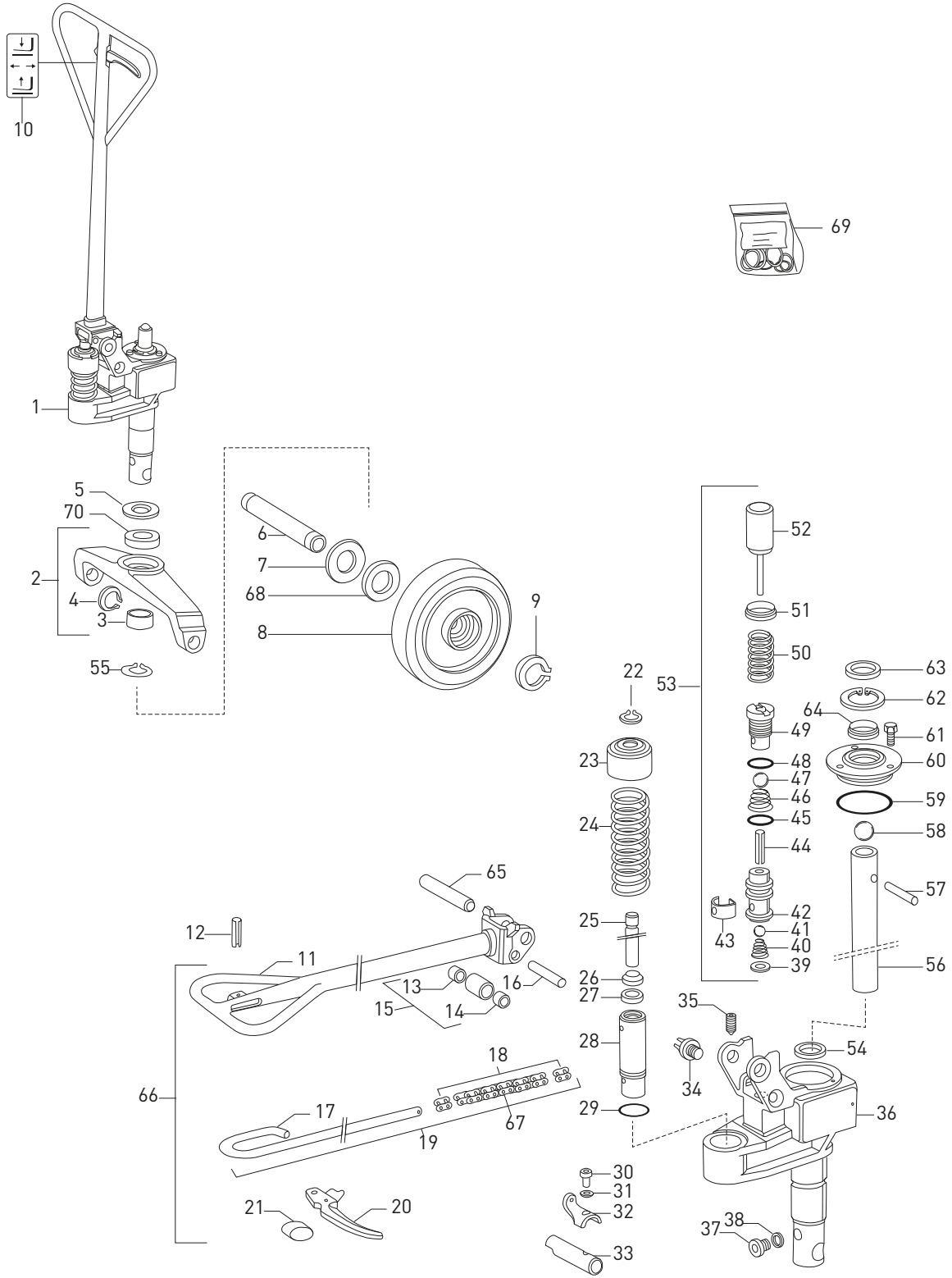


TANDEM





HYDRAULIC UNIT STEINBOCK WH20/23 MK IX-A





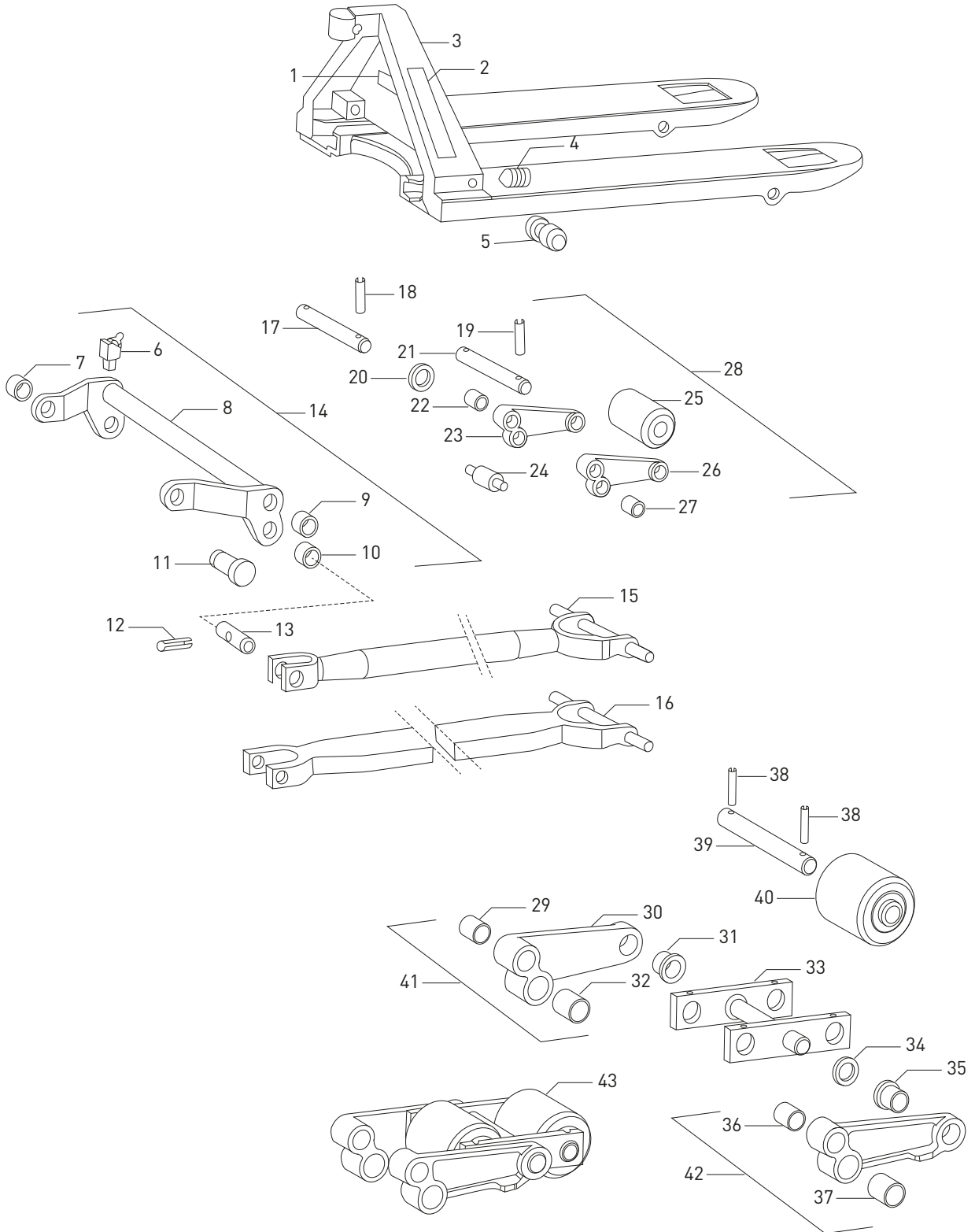
HYDRAULIC UNIT STEINBOCK WH20/23 MK IX-A

Nr	Description	Qty	REF
1	Hydraulic unit	1	124TA5744
2	Thrust plate, hydraulic pump unit mounting	1	124TA2665
3	Bushing, hydraulic unit pivot	1	124TA2515
4	Circlip	2	124TA2666
5	Spacer, pivot bearing hydraulic pump unit to chassis	1	124TA2516
6	Shaft, steer wheel	1	124TA2517
7	Shim (thickness: 0,5 mm)	1	124TA2518
8A	Wheel assembly, steer (nylon)	2	107TA3169
8B	Wheel assembly, steer (polyurethane)	2	107TA3110
8C	Wheel assembly, steer (rubber)	2	107TA3139
9	Circlip	2	124TA2519
10	Decal, fork movement	1	124TA2520
11	Bracket, tiller arm	1	124TA2521
12	Elastic pin	1	124TA2522
13	Bushing, control handle pump roller	1	124TA2523
14	Bushing, control handle pump roller	1	124TA2523
15	Roller kit, control handle pump	1	124TA2524
16	Pin, control handle pump roller	1	124TA2525
17	Rod complete, lowering	1	124TA2526
18	Link, chain	2	124TA2527
19	Rod complete, lowering	1	124TA2528
20	Lever lowering, tiller	1	124TA2529
21	Spring (rubber)	1	124TA2530
22	Circlip	1	124TA2531
23	Cap, control handle pivot return spring	1	124TA2532
24	Spring, control handle return torsion	1	124TA2533
25	Piston, hydraulic pump unit	1	124TA2534
26	Wiper ring (polyurethane)	1	124TA2535
27	Lip seal	1	124TA2536
28	Body, hydraulic pump unit piston	1	124TA2537
29	O-ring	1	124TA2538
30	Screw	1	124TA2539
31	Washer (thickness: 1,6 mm)	1	124TA2540
32	Lever lift control	1	124TA2541

Nr	Description	Qty	REF
33	Lever lift control	1	124TA2542
34	Plug	1	124TA2543
35	Screw (adjusting)	1	124TA2544
36	Housing	1	124TA2545
37	Plug (DIN 9)	1	124TA2546
38	Sealing ring (copper)	1	124TA2547
39	Core plug	1	124TA2548
40	Spring (compression)	1	124TA2549
41	Ball bearing	1	124TA2550
42	Valve housing	1	124TA2551
43	Spring	1	124TA2552
44	Elastic pin	1	124TA2553
45	O-ring	1	124TA2554
46	Spring (compression)	1	124TA2555
47	Steel ball	1	124TA2556
48	O-ring	1	124TA2557
49	Valve housing	1	124TA2558
50	Spring	1	124TA2559
51	Oil seal	1	124TA2560
52	Valve plunger	1	124TA2561
53	Valve release, hydraulic unit	1	124TA2562
54	Lip seal	1	124TA2563
55	Circlip	1	124TA2564
56	Piston, lift cylinder pallet truck	1	124TA2565
57	Dowel pin	1	124TA2566
58	Steel ball, lift cylinder piston pallet truck	1	124TA2567
59	O-ring	1	124TA2568
60	Cover	1	124TA2569
61	Bolt (M6) (total length: 20,2 mm)	1	124TA2570
62	Circlip	1	124TA2571
63	Shim (thickness: 2,5 mm)	1	124TA2572
64	Wiper ring (polyurethane)	1	124TA2573
65	Shaft, handle pivot	1	124TA2574
66	Handle assembly	1	124TA2575
67	Chain, hydraulic unit	1	124TA2576
68	Washer (thickness: 2,8 mm)	1	147TA3709
69	Kit seal, hydraulic unit	1	107TA7032
70	Bearing, hydraulic unit pivot	1	119TA9876



MAIN FRAME STEINBOCK WH20/23 MK IX-A





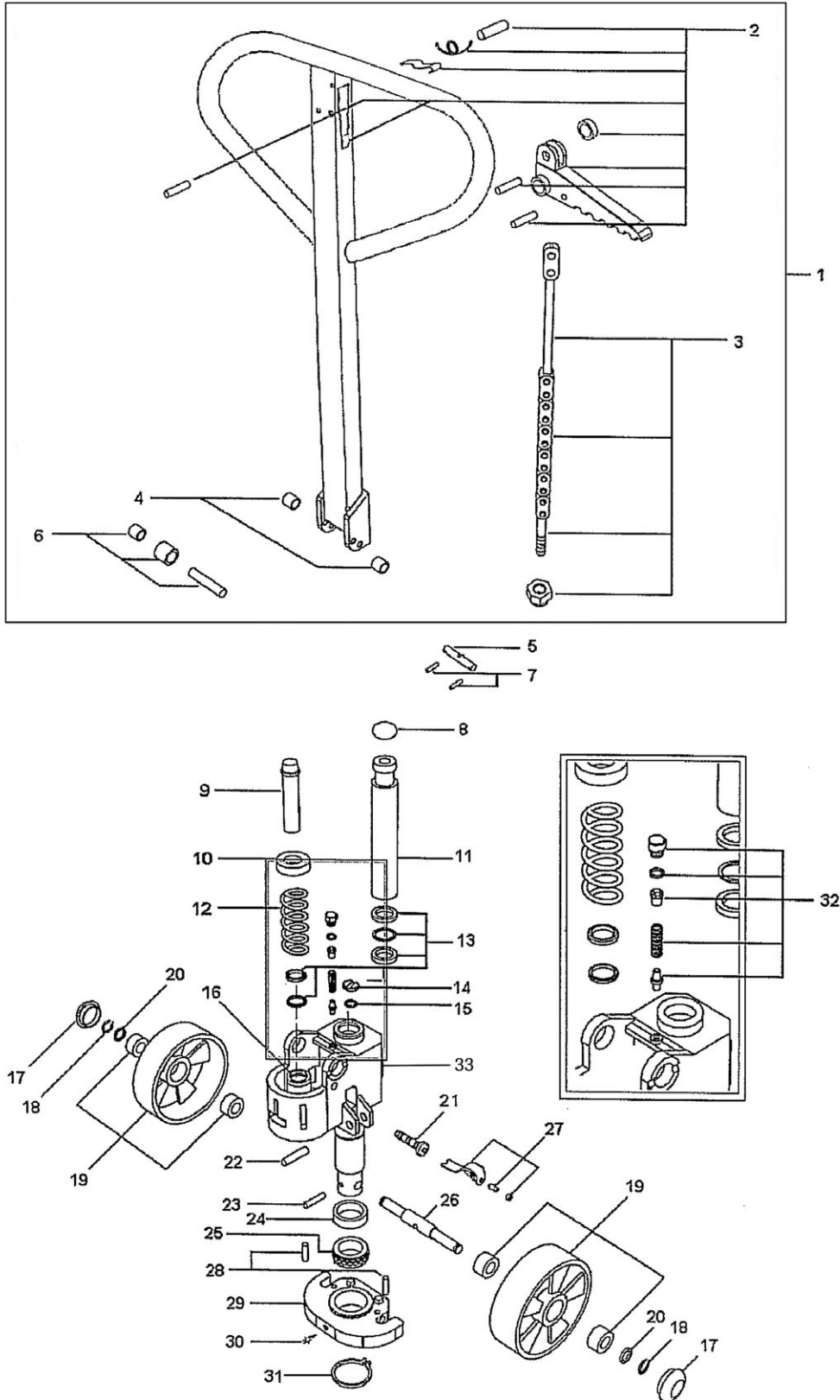
MAIN FRAME STEINBOCK WH20/23 MK IX-A

Nr	Description	Qty	REF
1	Decal horizontal	1	124TA2667
2	Decal horizontal	2	124TA2577
3	Decal, model type (WH 20)	1	124TA2578
4	Screw	2	124TA2579
5	Shaft pivot, torsion tube	2	124TA2580
6	Grease nipple	1	124TA2581
7	Bushing, torsion tube to thrust plate	2	124TA2582
9	Bushing, torsion tube pivot	2	105TA1525
10	Bushing, push/pull rod non fork end	2	124TA2583
11	Shaft, torsion tube to thrust plate	2	124TA2584
12	Elastic pin	2	124TA2585
13	Shaft, push/pull rod non fork end	2	124TA2586
14A	Torsion tube (frame width: 540 mm)	1	124TA2587
14B	Torsion tube (frame width: 456 mm)	1	124TA2588
14C	Torsion tube (frame width: 685 mm)	1	124TA2589
14D	Torsion tube (frame width: 540 mm)	1	124TA2590
15A	Push/pull rod, lift structure (fork length: 600 mm)	2	124TA2591
15B	Push/pull rod, lift structure (fork length: 800 mm)	2	124TA2592
15C	Push/pull rod, lift structure (fork length: 912 mm)	2	124TA2593
15D	Push/pull rod, lift structure (fork length: 960 mm)	2	124TA2594
15E	Push/pull rod, lift structure (fork length: 1000 mm)	2	124TA2595
15F	Push/pull rod, lift structure (fork length: 1060 mm)	2	124TA2596
15G	Push/pull rod, lift structure (fork length: 1150 mm)	2	124TA2597
15H	Push/pull rod, lift structure (fork length: 1200 mm)	2	124TA2598
16A	Push/pull rod, lift structure (fork length: 1377 mm)	2	124TA2599
16B	Push/pull rod, lift structure (fork length: 1550 mm)	2	124TA2600
16C	Push/pull rod, lift structure (fork length: 1830 mm)	2	124TA2601
17	Shaft, fork load wheel bracket to chassis	2	124TA2602
18	Elastic pin	2	124TA2585

Nr	Description	Qty	REF
19	Elastic pin	4	124TA2603
20	Shim (thickness: 1 mm)	1	124TA2604
21	Shaft/bolt load wheel (single)	2	124TA2605
22	Bushing, fork load wheel bracket to push/pull rod	4	105TA1523
23A	Shaft, steer wheel (single) (standard)	2	124TA2606
23B	Shaft, steer wheel (single) (greased)	2	124TA2607
24	Wheel, exit roller	2	124TA2608
25A	Wheel assembly, load (nylon) (single)	2	124TA2609
25B	Wheel assembly, load (polyurethane) (single)	2	124TA2610
25C	Wheel assembly, load (steel) (single)	2	124TA2611
26A	Shaft, steer wheel (single) (standard)	2	103TA7791
26B	Shaft, steer wheel (single) (greased)	2	124TA2612
27	Bushing, fork load wheel bracket to chassis	4	105TA2229
28	Carrier complete, load wheel (single)	2	124TA2613
29	Bushing, fork load wheel bracket to push/pull rod	2	105TA1523
31	Bushing, load wheel tandem pivot	2	124TA2614
32	Bushing, fork load wheel bracket to chassis	2	105TA2229
33	Fork, load wheel	1	124TA2615
34	Shim (thickness: 1,5 mm)	4	124TA2616
35	Bushing, load wheel tandem pivot	2	124TA2614
36	Bushing, fork load wheel bracket to push/pull rod	2	105TA1523
37	Bushing, fork load wheel bracket to chassis	2	105TA2229
38	Elastic pin	8	124TA2603
39	Shaft/bolt load wheel (tandem)	4	124TA2617
40	Wheel assembly, load (polyurethane) (tandem)	4	124TA2618
41	Shaft, steer wheel (tandem)	2	124TA2619
42	Shaft, steer wheel (tandem)	2	124TA2620
43	Carrier complete, load wheel (polyurethane) (tandem)	2	124TA2621



HYDRAULIC UNIT TOTALLIFTER AC STANDARD



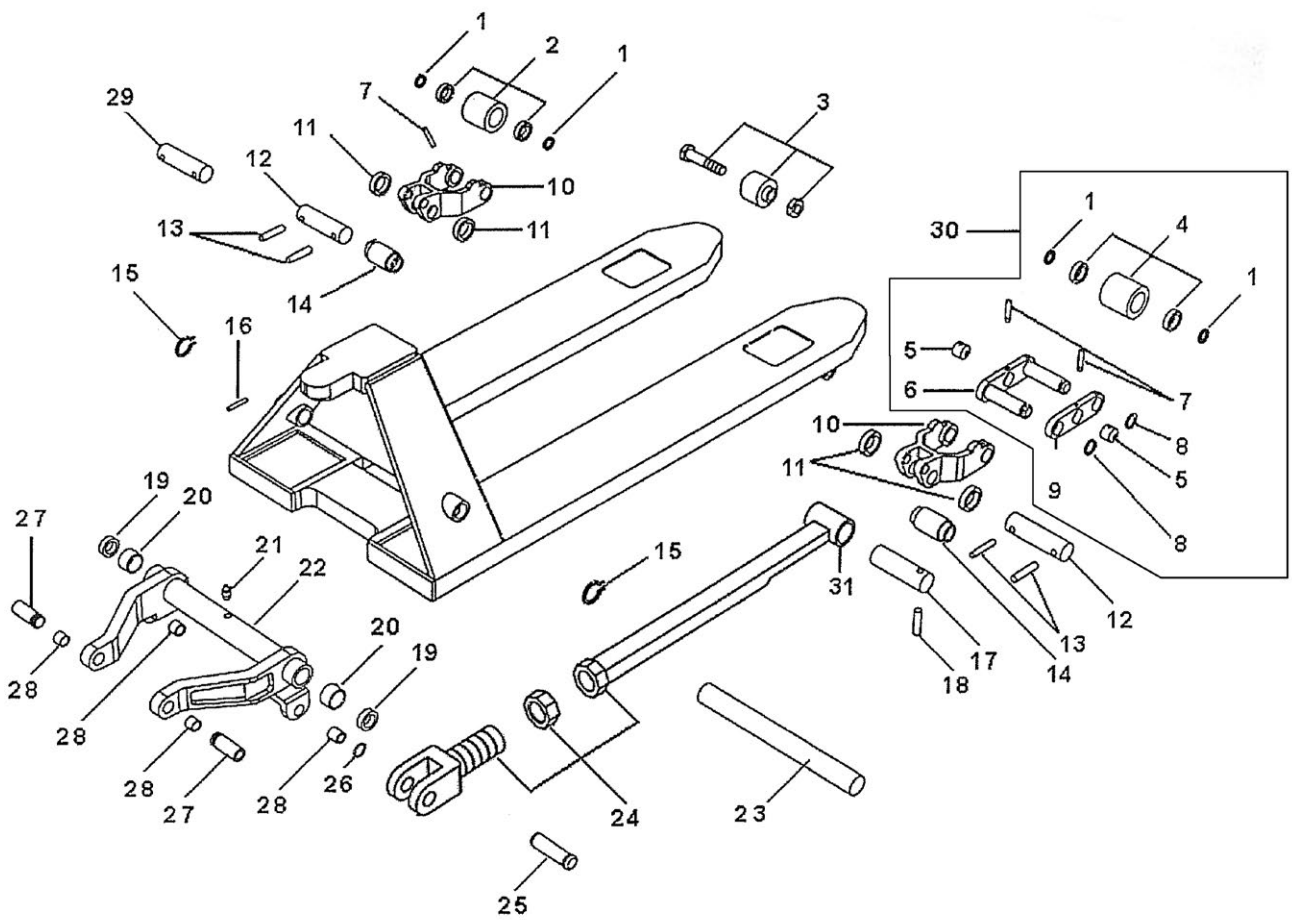


HYDRAULIC UNIT TOTALLIFTER AC STANDARD

Nr	Description	Qty	REF	Nr	Description	Qty	REF
1	Handle assembly	1	128TA4354	29	Thrust plate, hydraulic pump unit mounting	1	128TA4384
2	Lever lowering, tiller	1	128TA4355	30	Grease nipple	1	128TA4385
3	Rod complete, lowering	1	128TA4356	31	Circlip	1	128TA4386
4	Bushing, handle pivot	2	128TA4357	32	Valve release, hydraulic unit	1	128TA4387
5	Shaft, handle pivot	1	128TA4358	33A	Hydraulic unit (for wheels diameter: 180 mm)	1	131TA5496
6	Roller kit, control handle pump	1	128TA4359	33B	Hydraulic unit (for wheels diameter: 200 mm)	1	151TA3410
7	Elastic pin	2	128TA4360				
8	Steel ball, lift cylinder piston pallet truck	1	128TA4361				
9	Piston, hydraulic pump unit	1	128TA4362				
10	Cap, control handle pivot return spring	1	128TA4363				
11	Piston, lift cylinder pallet truck	1	128TA4364				
12	Spring, control handle return torsion	1	128TA4365				
13	Kit seal, hydraulic unit	1	128TA4463				
14	Screw, plug	1	128TA4367				
15	Seal	1	128TA4368				
16	Head, cylinder	1	128TA4369				
17	Cap, front wheel hub	2	128TA4370				
18	Circlip	2	128TA4371				
19A	Wheel assembly, steer (nylon) (diameter: 180 mm)	2	128TA4372				
19B	Wheel assembly, steer (rubber) (diameter: 180 mm)	2	128TA4373				
19C	Wheel assembly, steer (polyurethane) (diameter: 180 mm)	2	128TA4374				
19D	Wheel assembly, steer (rubber) (diameter: 200 mm)	2	131TA5494				
19E	Wheel assembly, steer (polyurethane) (diameter: 200 mm)	2	129TA9712				
19F	Wheel assembly, steer (nylon) (diameter: 200 mm)	2	128TA4539				
20	Washer (thickness: 2 mm)	1	128TA4375				
21	Valve release, hydraulic unit	1	128TA4376				
22	Elastic pin	1	128TA4377				
23	Cotter pin	1	128TA4378				
24	Spacer, pivot bearing hydraulic pump unit to chassis	1	128TA4379				
25	Bearing, hydraulic unit pivot	1	128TA4380				
26	Shaft, steer wheel	1	128TA4381				
27	Lever lift control	1	128TA4382				
28	Elastic pin	1	128TA4383				



MAIN FRAME TOTALLIFTER AC STANDARD



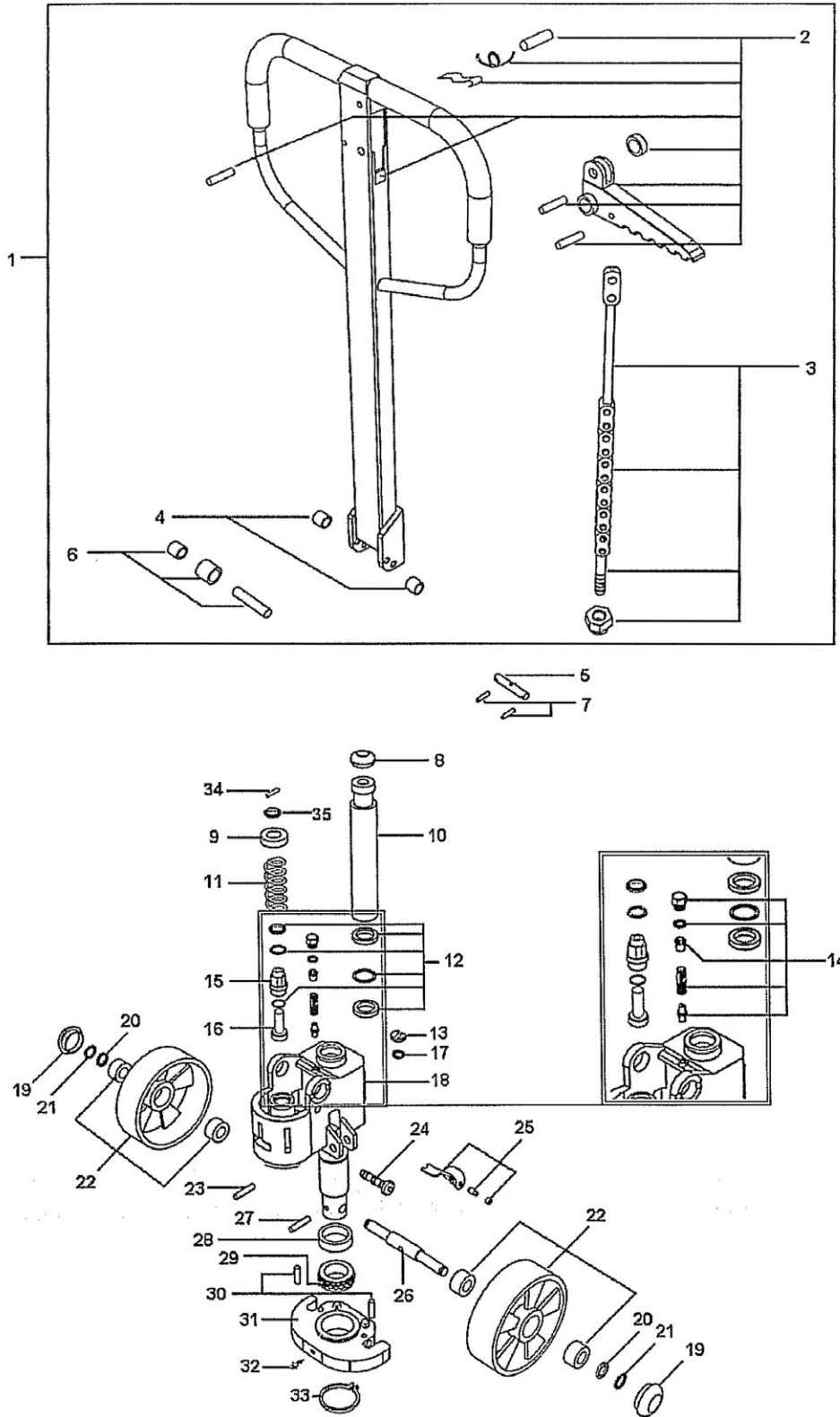


MAIN FRAME TOTALLIFTER AC STANDARD

Nr	Description	Qty	REF	Nr	Description	Qty	REF
1	Washer (thickness: 2 mm)	4	<u>128TA4389</u>	25	Shaft, push/pull rod non fork end	2	<u>128TA4420</u>
2A	Wheel assembly, load (nylon) (single)	2	<u>128TA4390</u>	26	Circlip	2	<u>128TA4421</u>
2B	Wheel assembly, load (polyurethane) (single)	2	<u>128TA4391</u>	27	Shaft, torsion tube to thrust plate	2	<u>128TA4422</u>
3	Entry roller assembly	2	<u>128TA4392</u>	28	Bushing, torsion tube to thrust plate	4	<u>128TA4423</u>
4A	Wheel assembly, load (polyurethane) (tandem)	4	<u>128TA4394</u>	29	Shaft/bolt load wheel	2	<u>128TA4424</u>
4B	Wheel assembly, load (nylon) (tandem)	4	<u>128TA4393</u>	30A	Carrier complete, load wheel (nylon) (tandem)	2	<u>138TA4538</u>
5	Shaft, center, fork load wheel	4	<u>128TA4395</u>	30B	Carrier complete, load wheel (polyurethane) (tandem)	2	<u>134TA3676</u>
6	Fork, load wheel	2	<u>128TA4396</u>	31	Bushing, push/pull rod fork end	2	<u>138TA4542</u>
7	Elastic pin	4	<u>128TA4397</u>				
8	Circlip	4	<u>128TA4398</u>				
9	Fork, load wheel	2	<u>128TA4399</u>				
10	Fork, bracket load wheel	2	<u>128TA4400</u>				
11	Wheel, exit roller	4	<u>128TA4401</u>				
12	Shaft, fork load wheel bracket to chassis	2	<u>128TA4402</u>				
13	Elastic pin	4	<u>128TA4403</u>				
14	Wheel, exit roller	2	<u>128TA4404</u>				
15	Circlip	2	<u>128TA4405</u>				
16	Elastic pin	2	<u>128TA4406</u>				
17	Shaft, push/pull rod fork end	2	<u>128TA4407</u>				
18	Elastic pin	2	<u>128TA4408</u>				
19	Washer (thickness: 1,5 mm)	2	<u>128TA4409</u>				
20	Bushing, torsion tube pivot	2	<u>128TA4410</u>				
21	Grease nipple	1	<u>128TA4411</u>				
22A	Torsion tube (frame width: 540 mm)	1	<u>128TA4412</u>				
22B	Torsion tube (frame width: 685 mm)	1	<u>128TA4413</u>				
23	Shaft pivot, torsion tube	1	<u>128TA4414</u>				
24A	Push/pull rod assembly, lift structure (fork length: 1150 mm)	2	<u>128TA4415</u>				
24B	Push/pull rod assembly, lift structure (fork length: 1500 mm)	2	<u>128TA4416</u>				
24C	Push/pull rod assembly, lift structure (fork length: 1800 mm)	2	<u>128TA4417</u>				
24D	Push/pull rod assembly, lift structure (fork length: 2000 mm)	2	<u>128TA4418</u>				
24E	Push/pull rod assembly, lift structure (fork length: 2500 mm)	2	<u>128TA4419</u>				

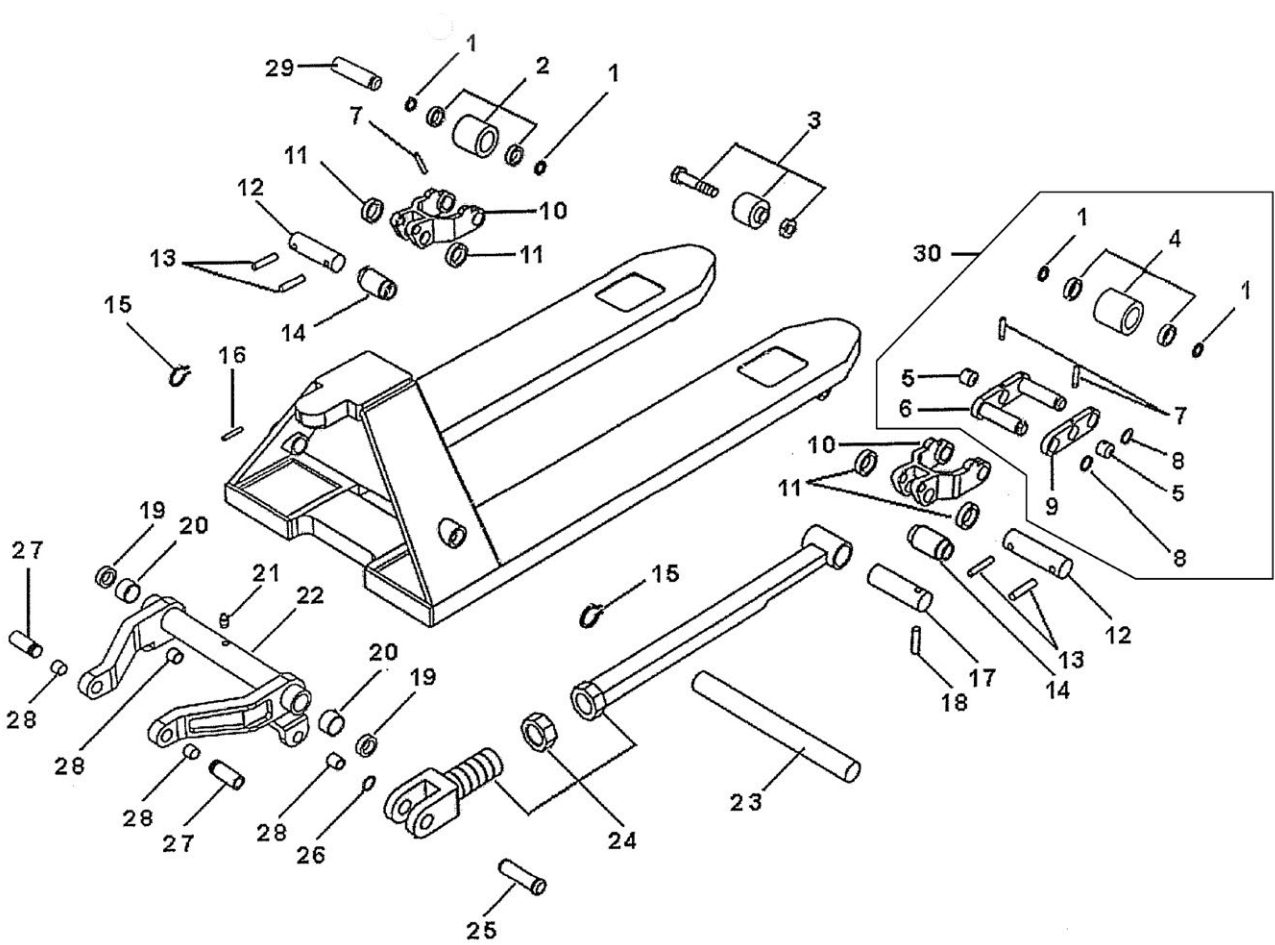


HYDRAULIC UNIT TOTALLIFTER AC QUICKLIFT





MAIN FRAME TOTALLIFTER AC QUICKLIFT



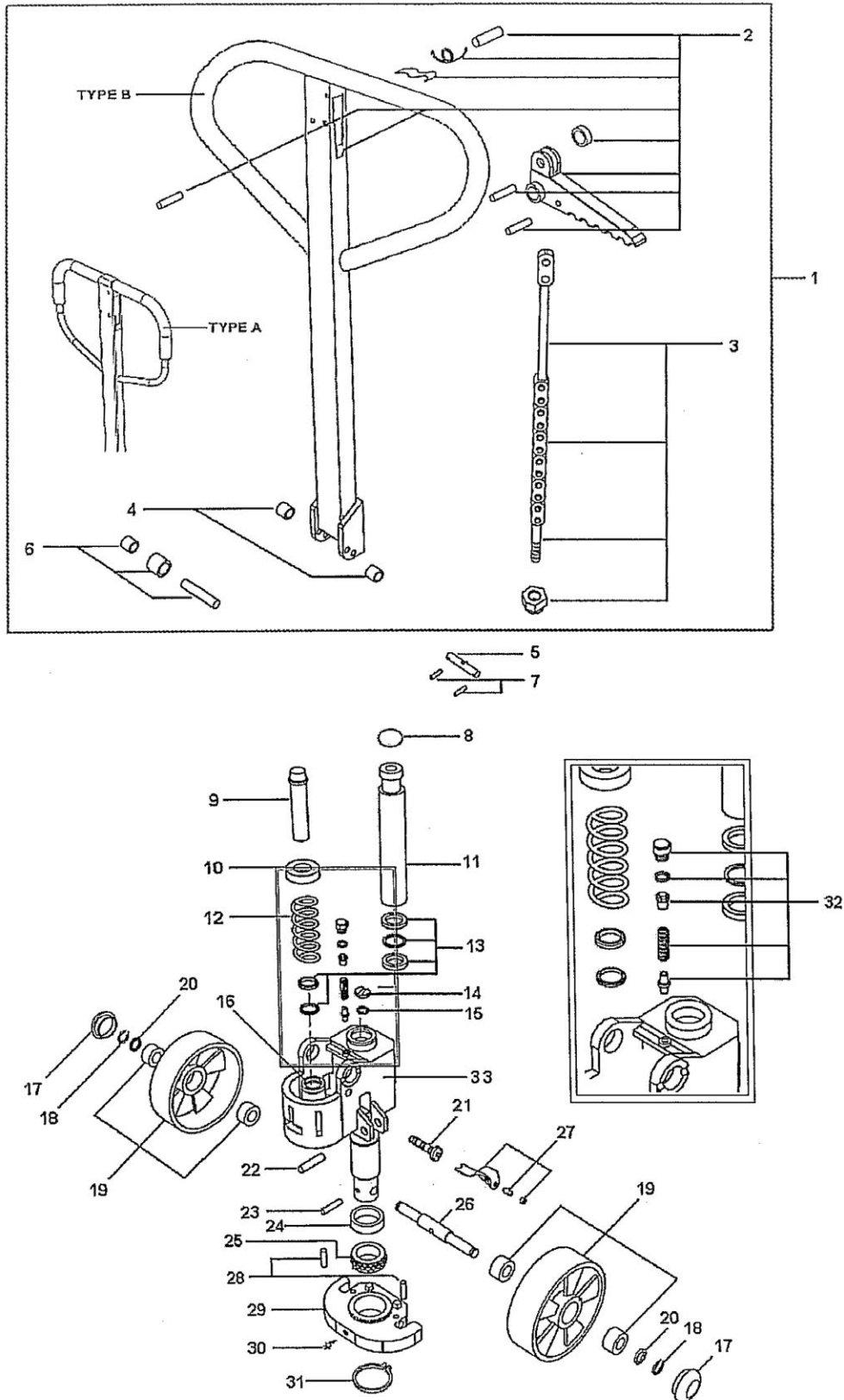


MAIN FRAME TOTALLIFTER AC QUICKLIFT

Nr	Description	Qty	REF	Nr	Description	Qty	REF
1	Washer (thickness: 2 mm)	4	128TA4389	25	Shaft, push/pull rod non fork end	2	128TA4420
2A	Wheel assembly, load (polyurethane) (single)	2	128TA4391	26	Circlip	2	128TA4421
2B	Wheel assembly, load (nylon) (single)	2	128TA4390	27	Shaft, torsion tube to thrust plate	2	128TA4422
3	Entry roller assembly	2	128TA4392	28	Bushing, push/pull rod non fork end	4	128TA4423
4A	Wheel assembly, load (nylon) (tandem)	4	128TA4393	29	Shaft/bolt load wheel	2	128TA4424
4B	Wheel assembly, load (polyurethane) (tandem)	4	128TA4394	30A	Carrier complete, load wheel (polyurethane) (tandem)	2	134TA3676
5	Shaft, center, fork load wheel	4	128TA4395	30B	Carrier complete, load wheel (nylon) (tandem)	2	138TA4538
6	Fork, load wheel	2	128TA4396				
7	Elastic pin	4	128TA4397				
8	Circlip	4	128TA4398				
9	Fork, load wheel	2	128TA4399				
10	Fork, bracket load wheel	2	128TA4400				
11	Wheel, exit roller	4	128TA4401				
12	Shaft, fork load wheel bracket to chassis	2	128TA4402				
13	Elastic pin	4	128TA4403				
14	Wheel, exit roller	2	128TA4404				
15	Circlip	2	128TA4405				
16	Elastic pin	2	128TA4406				
17	Shaft, push/pull rod fork end	2	128TA4407				
18	Elastic pin	2	128TA4408				
19	Washer (thickness: 1,5 mm)	2	128TA4409				
20	Bushing, torsion tube pivot	2	128TA4410				
21	Grease nipple	1	128TA4411				
22A	Torsion tube (frame width: 540 mm)	1	128TA4412				
22B	Torsion tube (frame width: 685 mm)	1	128TA4413				
23	Shaft pivot, torsion tube	1	128TA4414				
24A	Push/pull rod assembly, lift structure (fork length: 1150 mm)	2	128TA4415				
24B	Push/pull rod assembly, lift structure (fork length: 1500 mm)	2	128TA4416				
24C	Push/pull rod assembly, lift structure (fork length: 1800 mm)	2	128TA4417				
24D	Push/pull rod assembly, lift structure (fork length: 2000 mm)	2	128TA4418				
24E	Push/pull rod assembly, lift structure (fork length: 2500 mm)	2	128TA4419				



HYDRAULIC UNIT TOTALLIFTER AC LOW PROFILE



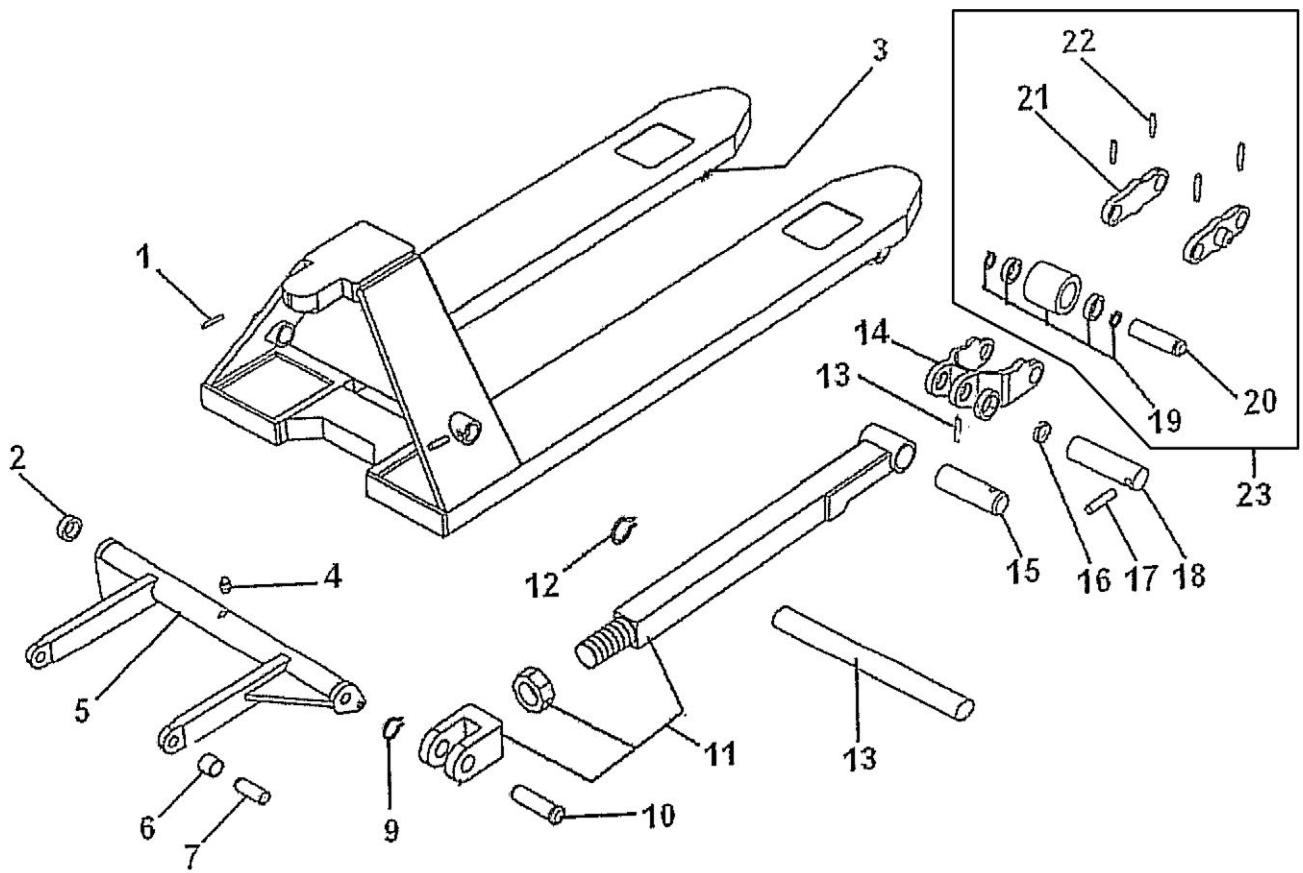


HYDRAULIC UNIT TOTALLIFTER AC LOW PROFILE

Nr	Description	Qty	REF	Nr	Description	Qty	REF
1A	Handle assembly (type A)	1	128TA4425				
1B	Handle assembly (type B)	1	128TA4426				
2	Lever lowering, tiller	1	128TA4427				
3	Rod complete, lowering	1	128TA4428				
4	Bushing, handle pivot	2	128TA4429				
5	Shaft, handle pivot	1	128TA4430				
6	Roller kit, control handle pump	1	128TA4431				
7	Elastic pin	1	128TA4360				
8	Steel ball, lift cylinder piston pallet truck	1	128TA4361				
9	Pump piston	1	128TA4362				
10	Cap, control handle pivot return spring	1	128TA4363				
11	Piston, lift cylinder pallet truck	1	128TA4364				
12	Spring, control handle return torsion	1	128TA4365				
13	Sealkit	1	128TA4366				
14	Screw, plug	1	128TA4367				
15	Seal	1	128TA4368				
16	Head, cylinder	1	128TA4369				
17	Cap, front wheel hub	2	128TA4370				
18	Circlip	2	128TA4371				
19	Wheel assembly, steer (polyurethane)	2	128TA4432				
20	Washer (thickness: 2 mm)	2	128TA4375				
21	Valve release, hydraulic unit	1	128TA4376				
22	Elastic pin	1	128TA4377				
23	Cotter pin	1	128TA4378				
24	Spacer, pivot bearing hydraulic pump unit to chassis	1	128TA4379				
25	Bearing, hydraulic unit pivot	1	128TA4380				
26	Shaft, steer wheel	1	128TA4381				
27	Lever lift control	1	128TA4382				
28	Elastic pin	2	128TA4383				
29	Thrust plate, hydraulic pump unit mounting	1	128TA4384				
30	Grease nipple	1	128TA4385				
31	Circlip	1	128TA4386				
32	Valve release, hydraulic unit	1	128TA4387				
33	Hydraulic unit	1	128TA4388				



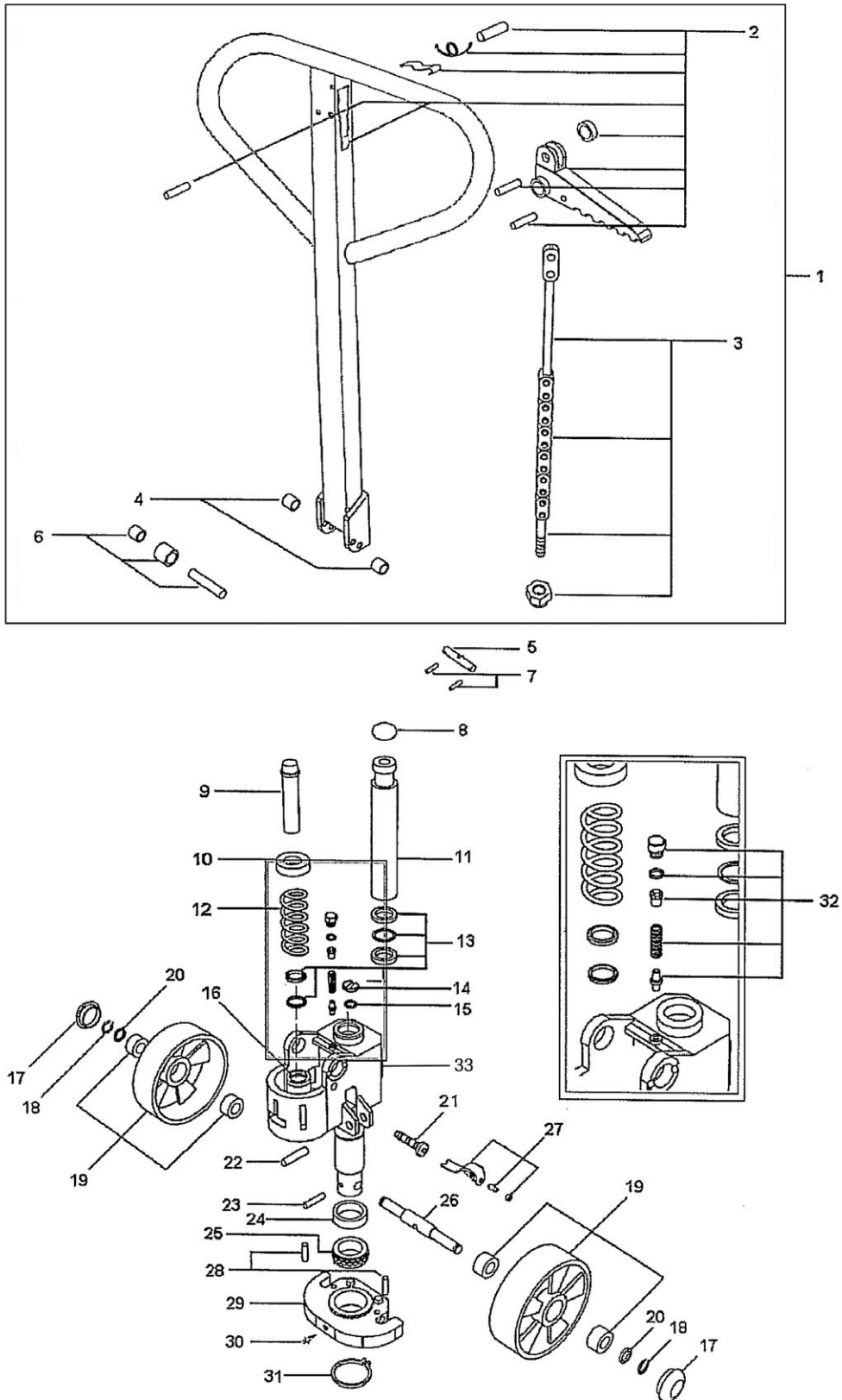
MAIN FRAME TOTALLIFTER AC LOW PROFILE





ACZ GALVANISED

HYDRAULIC UNIT TOTALLIFTER ACZ GALVANISED



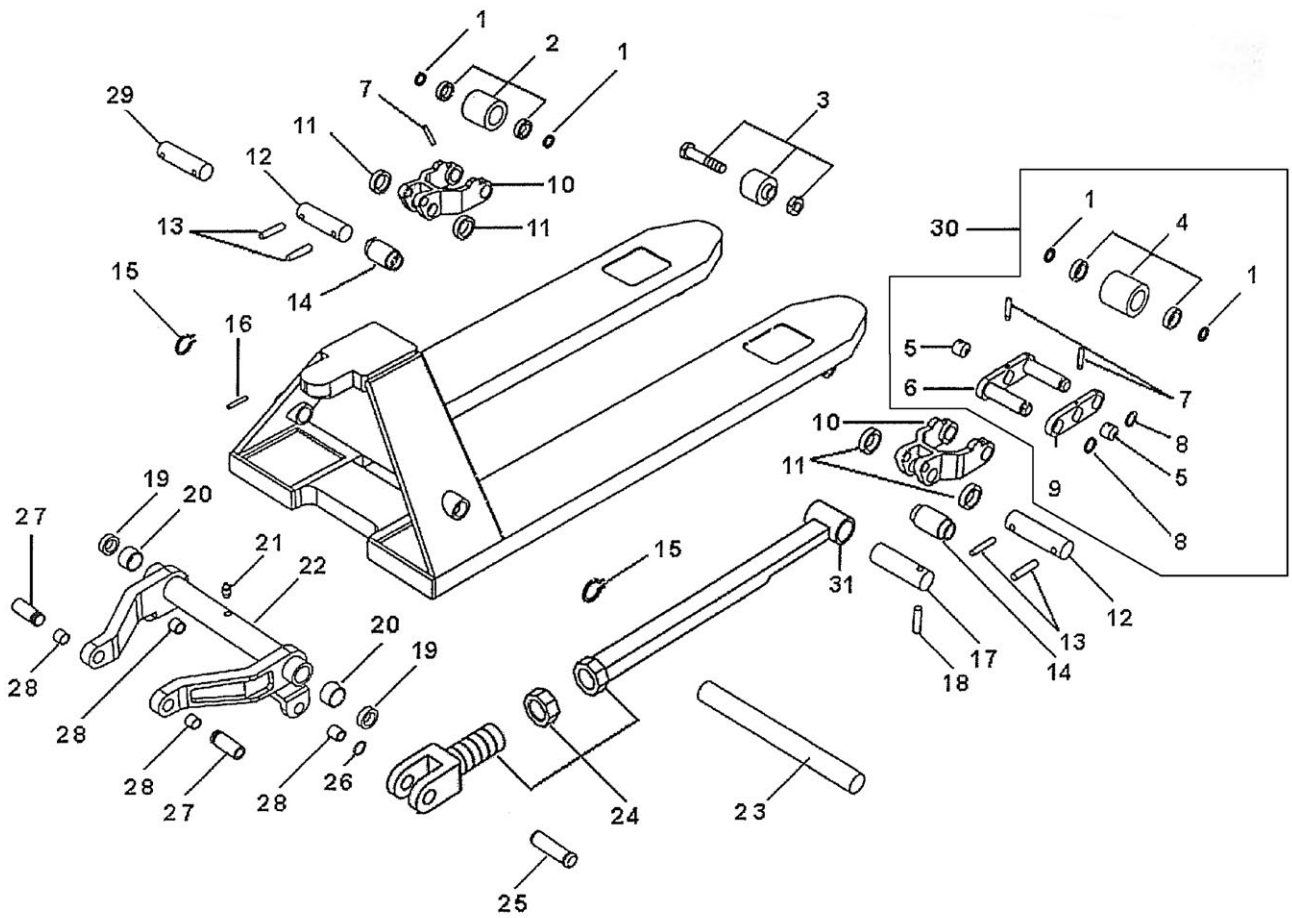


HYDRAULIC UNIT TOTALLIFTER ACZ GALVANISED

Nr	Description	Qty	REF	Nr	Description	Qty	REF
1	Handle assembly	1	<u>128TA4521</u>				
2	Lever lowering, tiller	1	<u>128TA4522</u>				
3	Rod complete, lowering	1	<u>128TA4523</u>				
4	Bushing, handle pivot	2	<u>128TA4524</u>				
5	Shaft, handle pivot	1	<u>128TA4525</u>				
6	Roller kit, control handle pump	1	<u>128TA4526</u>				
7	Elastic pin	2	<u>128TA4527</u>				
8	Steel ball, lift cylinder piston pallet truck	1	<u>128TA4528</u>				
9	Piston, hydraulic pump unit	1	<u>128TA4529</u>				
10	Cap, control handle pivot return spring	1	<u>128TA4530</u>				
11	Piston, lift cylinder pallet truck	1	<u>128TA4531</u>				
12	Spring, control handle return torsion	1	<u>128TA4532</u>				
13	Kit seal, hydraulic unit	1	<u>128TA4533</u>				
14	Screw, plug	1	<u>128TA4534</u>				
15	Seal	1	<u>128TA4535</u>				
16	Head, cylinder	1	<u>128TA4536</u>				
17	Cap, front wheel hub	2	<u>128TA4537</u>				
18	Circlip	2	<u>128TA4538</u>				
19A	Wheel assembly, steer (nylon) (one side closed)	2	<u>128TA4539</u>				
19B	Wheel assembly, steer (rubber)	2	<u>128TA4598</u>				
19C	Wheel assembly, steer (nylon) (no sides closed)	2	<u>128TA4597</u>				
20	Washer (thickness: 1,6 mm)	2	<u>128TA4540</u>				
21	Valve release, hydraulic unit	1	<u>128TA4541</u>				
22	Elastic pin	1	<u>128TA4542</u>				
23	Elastic pin	1	<u>128TA4543</u>				
24	Spacer, pivot bearing hydraulic pump unit to chassis	1	<u>128TA4544</u>				
25	Bearing, hydraulic unit pivot	1	<u>128TA4545</u>				
26	Shaft, steer wheel	1	<u>128TA4546</u>				
27	Lever lift control	1	<u>128TA4547</u>				
28	Elastic pin	2	<u>128TA4548</u>				
29	Thrust plate, hydraulic pump unit mounting	1	<u>128TA4549</u>				
30	Grease nipple	1	<u>128TA4550</u>				
31	Circlip	1	<u>128TA4551</u>				
32	Valve release, hydraulic unit	1	<u>128TA4552</u>				
33	Hydraulic unit	1	<u>128TA4553</u>				



MAIN FRAME TOTALLIFTER ACZ GALVANISED



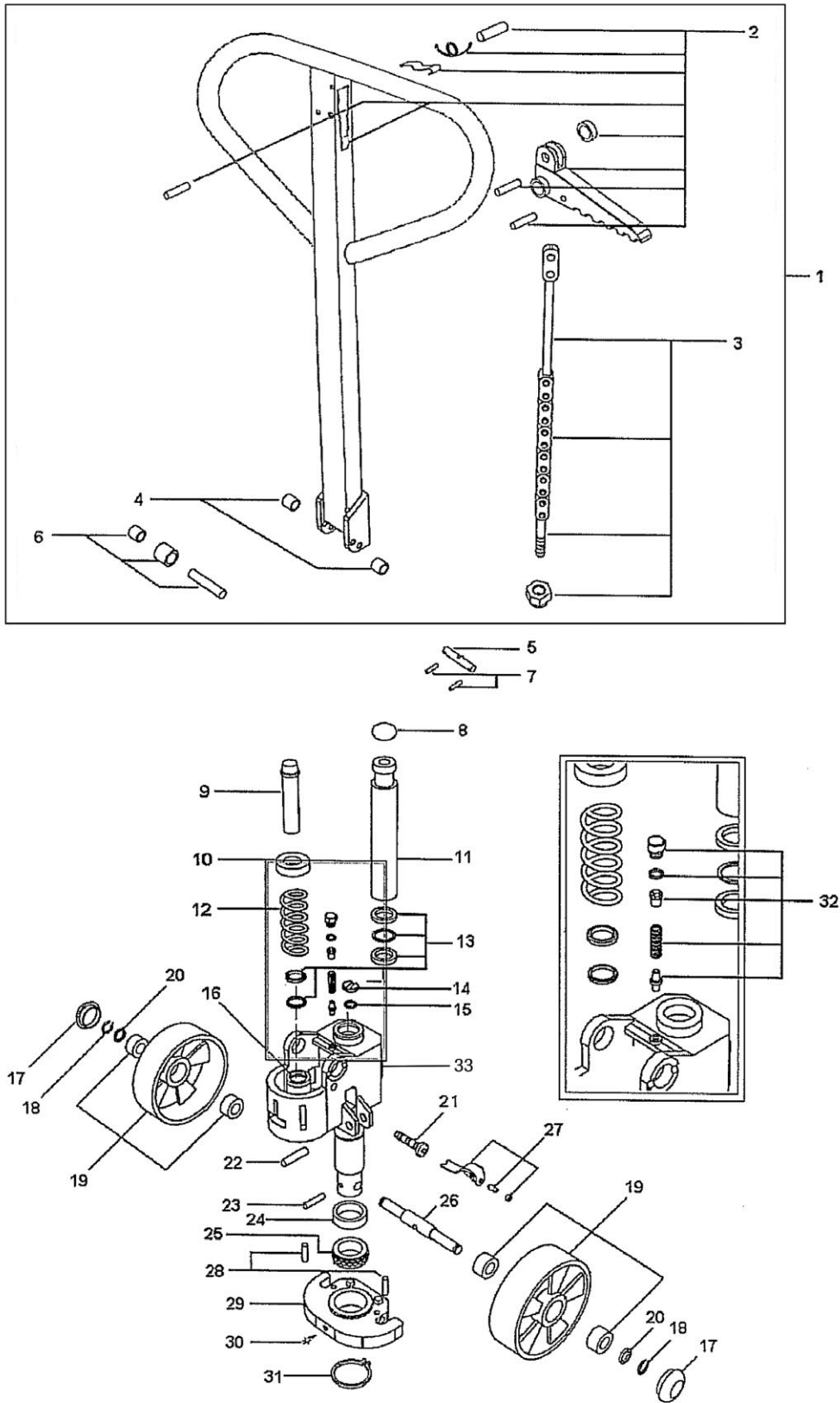


MAIN FRAME TOTALLIFTER ACZ GALVANISED

Nr	Description	Qty	REF	Nr	Description	Qty	REF
1	Washer (thickness: 1,6 mm)	8	128TA4554				
2A	Wheel assembly, load (nylon) (single)	2	128TA4390				
2B	Wheel assembly, load (polyurethane) (single)	2	128TA4391				
3	Entry roller assembly	2	128TA4555				
4	Wheel assembly, load (nylon) (tandem)	4	128TA4556				
5	Shaft, center, fork load wheel	4	128TA4557				
6	Fork, load wheel	2	128TA4558				
7	Elastic pin	8	128TA4559				
8	Circlip	4	128TA4560				
9	Fork, load wheel	2	128TA4561				
10	Fork, bracket load wheel	2	128TA4562				
11	Wheel, exit roller	4	128TA4563				
12	Shaft, fork load wheel bracket to chassis	2	128TA4564				
13	Elastic pin	4	128TA4565				
14	Wheel, exit roller	2	128TA4566				
15	Circlip	2	128TA4567				
16	Bolt	1	128TA4568				
17	Shaft, push/pull rod fork end	2	128TA4569				
18	Elastic pin	2	128TA4570				
19	Shim (thickness: 1,6 mm)	2	128TA4571				
20	Bushing, torsion tube pivot	2	128TA4572				
21	Grease nipple	1	128TA4573				
22	Torsion tube	1	128TA4574				
23	Shaft pivot, torsion tube	1	128TA4575				
24	Push/pull rod assembly, lift structure	2	128TA4576				
25	Shaft, push/pull rod non fork end	2	128TA4577				
26	Circlip	2	128TA4578				
27	Shaft, torsion tube to thrust plate	2	128TA4579				
28	Bushing, torsion tube to thrust plate	4	128TA4580				
29	Shaft/bolt load wheel	1	128TA4581				
30	Carrier complete, load wheel (nylon) (tandem)	2	138TA4541				
31	Bushing, push/pull rod fork end	2	138TA4542				

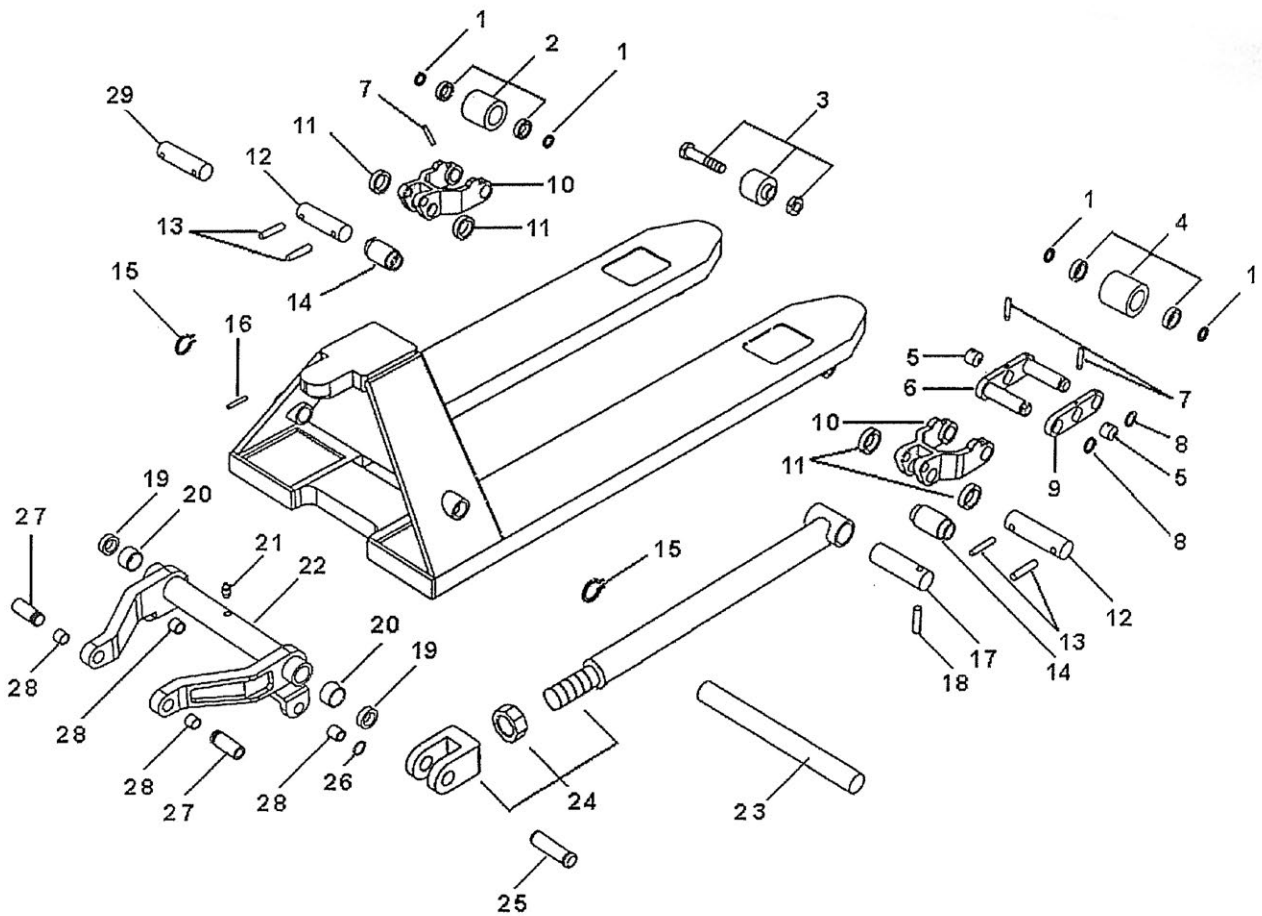


HYDRAULIC UNIT TOTALLIFTER ACS STAINLESS STEEL





MAIN FRAME TOTALLIFTER ACS STAINLESS STEEL





MAIN FRAME TOTALLIFTER ACS STAINLESS STEEL

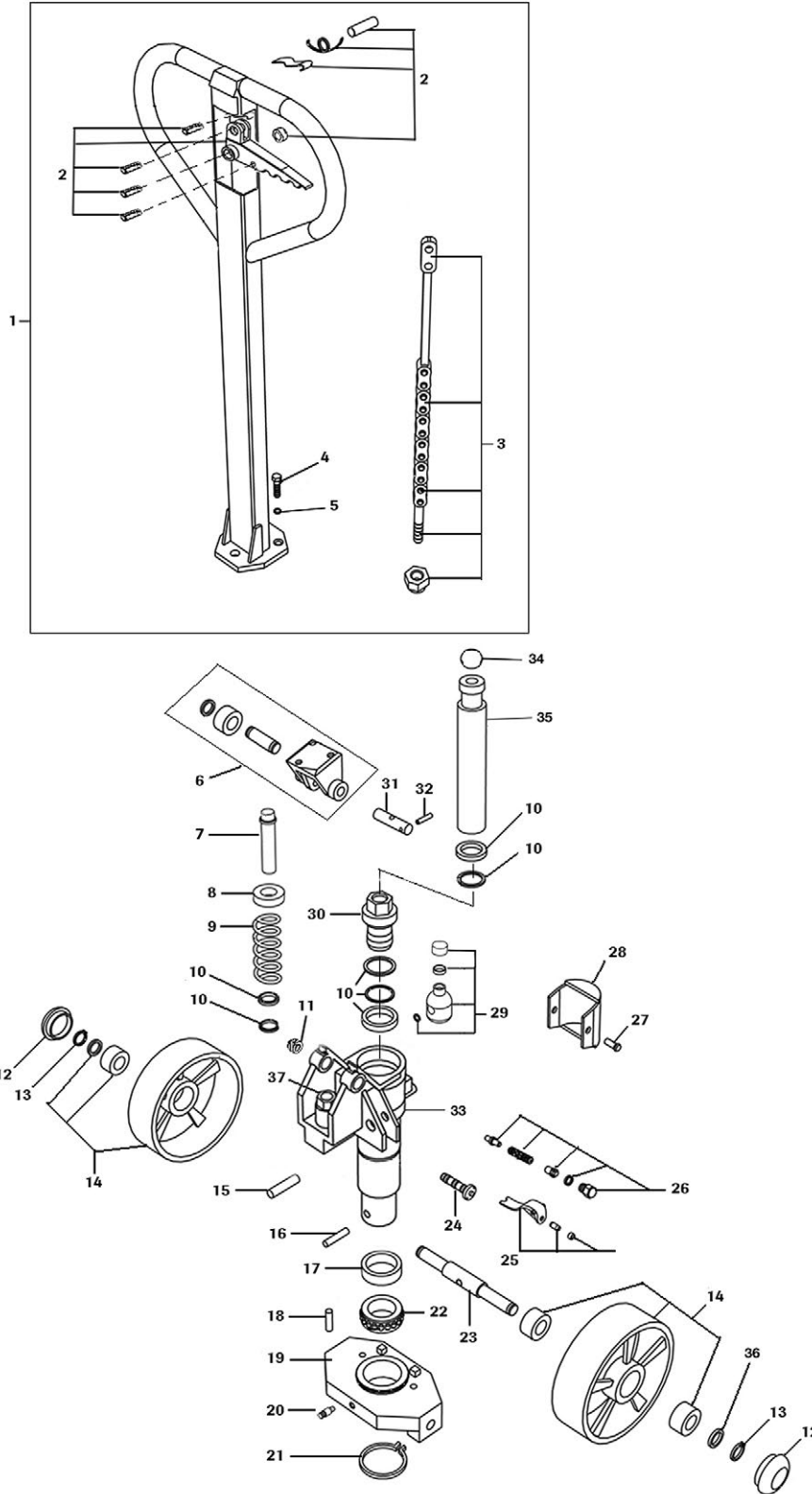
Nr	Description	Qty	REF
1	Washer (thickness: 1,6 mm)	8	128TA4646
3	Entry roller assembly	2	128TA4647
4	Wheel assembly, load (nylon) (tandem) (stainless steel bearings)	4	128TA4648
5	Shaft, center, fork load wheel	4	128TA4649
6	Fork, load wheel	2	128TA4650
7	Lock pin	8	128TA4651
8	Circlip	4	128TA4652
9	Fork, load wheel	2	128TA4653
10	Fork, bracket load wheel	2	128TA4654
11	Wheel, exit roller	4	128TA4655
12	Shaft, fork load wheel bracket to chassis	2	128TA4656
13	Elastic pin	4	128TA4657
14	Wheel, exit roller	2	128TA4658
15	Circlip	2	128TA4659
16	Bolt	1	128TA4660
17	Shaft, push/pull rod fork end	2	128TA4661
18	Elastic pin	2	128TA4662
19	Shim (thickness: 1,6 mm)	2	128TA4663
20	Bushing, torsion tube pivot	2	128TA4664
21	Grease nipple	1	128TA4665
22	Torsion tube	1	128TA4666
23	Shaft pivot, torsion tube	1	128TA4667
24	Push/pull rod assembly, lift structure	2	128TA4668
25	Shaft, push/pull rod non fork end	2	128TA4669
26	Circlip	2	128TA4670
27	Shaft, push/pull rod non fork end	2	128TA4671
28	Bushing, push/pull rod non fork end	4	128TA4672
29	Shaft/bolt load wheel	1	128TA4673

Nr	Description	Qty	REF

ACS STAINLESS STEEL



HYDRAULIC UNIT TOTALLIFTER CBGIII STANDARD



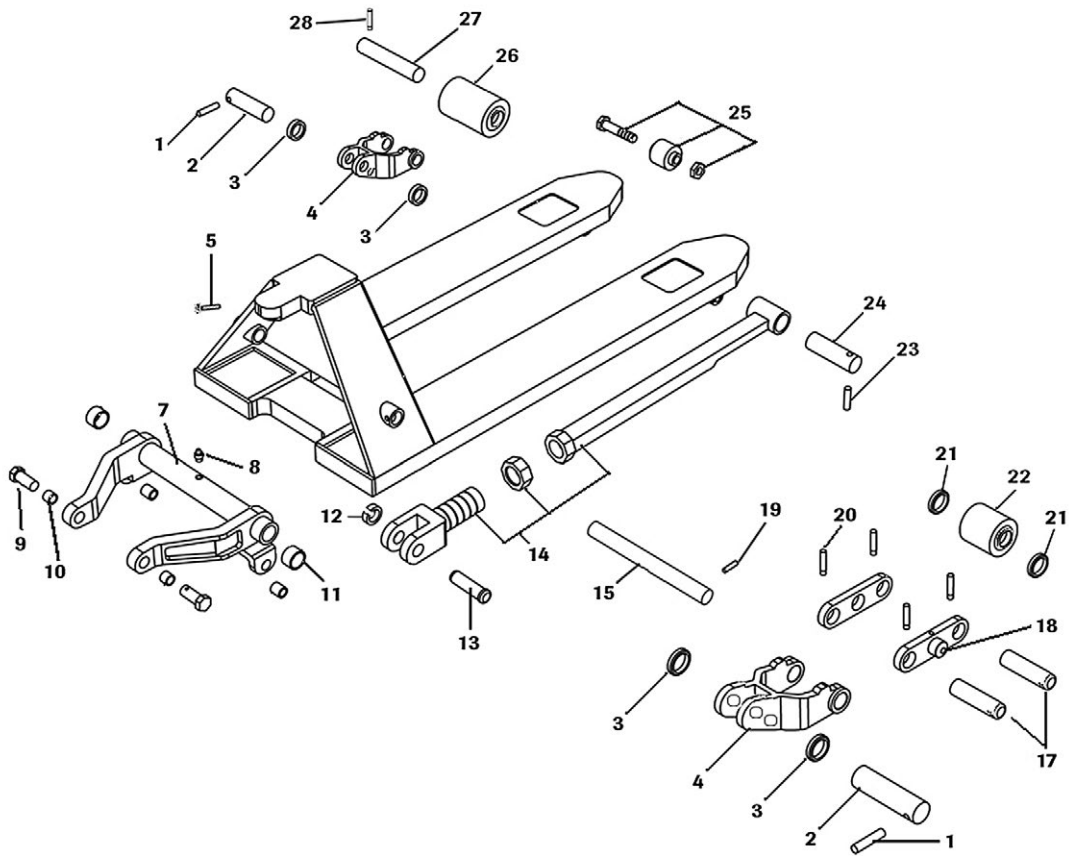


HYDRAULIC UNIT TOTALLIFTER CBGIII STANDARD

Nr	Description	Qty	REF	Nr	Description	Qty	REF
1	Handle assembly	1	128TA4454	29	Tank, hydraulic oil	1	128TA4481
2	Lever lowering, tiller	1	128TA4455	30	Body, hydraulic pump unit piston	1	128TA4482
3	Rod complete, lowering	1	128TA4456	31	Shaft, handle pivot	1	128TA4483
4	Screw	3	128TA4457	32	Elastic pin	1	128TA4484
5	Lock washer (M10)	3	128TA4458	33	Hydraulic unit (for wheels diameter: 180 mm)	1	128TA4485
6	Roller kit, control handle pump	1	128TA4459	33	Hydraulic unit (for wheels diameter: 200 mm)	1	138TA4543
7	Piston, hydraulic pump unit	1	128TA4460	34	Steel ball, lift cylinder piston pallet truck	1	128TA4486
8	Spring, control handle return torsion	1	128TA4461	35	Piston, lift cylinder pallet truck	1	128TA4487
9	Cap, control handle pivot return spring	1	128TA4462	36	Washer (nylon) (thickness: 1,6 mm)	1	128TA4488
10	Kit seal, hydraulic unit	1	128TA4463	37	Body, hydraulic pump unit piston	1	134TA3675
11	Bushing, handle pivot	2	128TA4464				
12	Cap, front wheel hub	2	128TA4465				
13	Circlip	2	128TA4466				
14A	Wheel assembly, steer (nylon) (diameter: 180 mm)	2	128TA4372				
14B	Wheel assembly, steer (rubber) (diameter: 180 mm)	2	128TA4373				
14C	Wheel assembly, steer (polyurethane) (diameter: 180 mm)	2	128TA4374				
14D	Wheel assembly, steer (polyurethane) (diameter: 200 mm)	2	131TA5495				
14E	Wheel assembly, steer (rubber) (diameter: 200 mm)	2	131TA5494				
14F	Wheel assembly, steer (nylon) (diameter: 200 mm)	2	128TA4539				
15	Elastic pin	1	128TA4467				
16	Elastic pin	1	128TA4468				
17	Spacer, pivot bearing hydraulic pump unit to chassis	1	128TA4469				
18	Elastic pin	2	128TA4470				
19	Thrust plate, hydraulic pump unit mounting	1	128TA4471				
20	Grease nipple	1	128TA4472				
21	Circlip	1	128TA4473				
22	Bearing, hydraulic unit pivot	1	128TA4474				
23	Shaft, steer wheel	1	128TA4475				
24	Valve release, hydraulic unit	1	128TA4476				
25	Lever lift control	1	128TA4477				
26	Valve release, hydraulic unit	1	128TA4478				
27	Screw	2	128TA4479				
28	Protection, hydraulic pump unit oil tank	1	128TA4480				



MAIN FRAME TOTALLIFTER CBGIII STANDARD





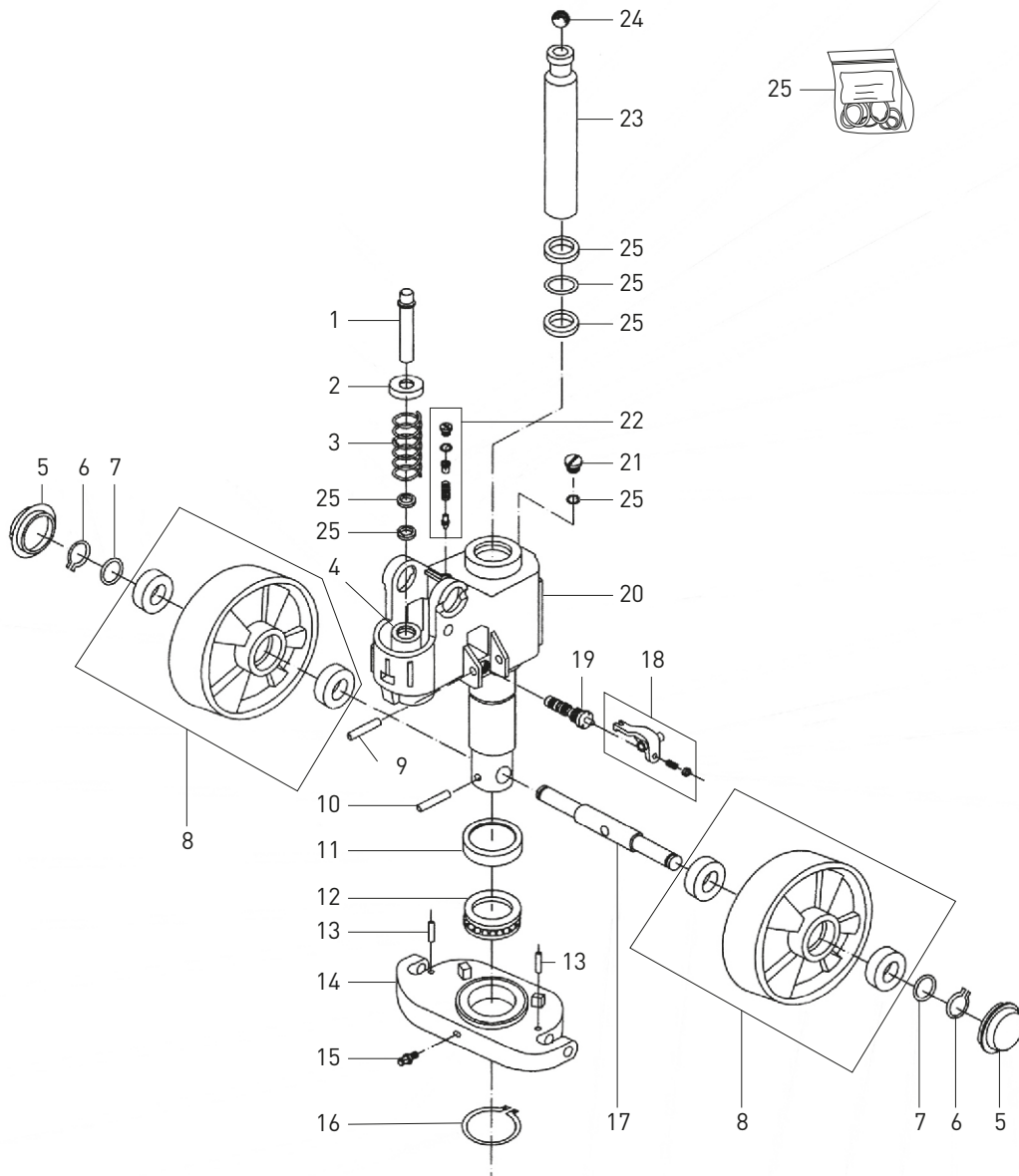
MAIN FRAME TOTALLIFTER CBGIII STANDARD

Nr	Description	Qty	REF	Nr	Description	Qty	REF
1	Elastic pin	2	128TA4489	26B	Wheel assembly, load (polyurethane) (single)	2	128TA4518
2	Shaft, fork load wheel bracket to chassis	2	128TA4490	27	Shaft/bolt load wheel (single)	2	128TA4519
3	Washer (thickness: 2 mm)	4	128TA4491	28	Elastic pin	2	128TA4520
4	Fork, bracket load wheel	2	128TA4492				
5	Bolt	1	128TA4493				
7	Torsion tube (frame width: 520 mm)	1	128TA4494				
7	Torsion tube (frame width: 685 mm)	1	128TA4495				
8	Grease nipple	1	128TA4496				
9	Shaft, torsion tube to thrust plate	2	128TA4497				
10	Bushing, torsion tube to thrust plate	4	128TA4498				
11	Bushing, torsion tube pivot	2	128TA4499				
12	Circlip	2	128TA4500				
13	Shaft, push/pull rod non fork end	2	128TA4501				
14A	Push/pull rod assembly, lift structure (fork length: 800 mm)	1	128TA4502				
14B	Push/pull rod assembly, lift structure (fork length: 900 mm)	1	128TA4503				
14C	Push/pull rod assembly, lift structure (fork length: 1000 mm)	1	128TA4504				
14D	Push/pull rod assembly, lift structure (fork length: 1100 mm)	1	128TA4505				
14E	Push/pull rod assembly, lift structure (fork length: 1150 mm)	1	128TA4506				
15	Shaft pivot, torsion tube	1	128TA4507				
17	Shaft/bolt load wheel (tandem)	4	128TA4508				
18	Fork, load wheel	4	128TA4509				
19	Elastic pin	1	128TA4510				
20	Elastic pin	8	128TA4511				
21	Washer (thickness: 2 mm)	8	128TA4512				
22A	Wheel assembly, load (nylon) (tandem)	4	128TA4513				
22B	Wheel assembly, load (polyurethane) (tandem)	4	128TA4514				
23	Elastic pin	2	128TA4511				
24	Shaft, push/pull rod fork end	2	128TA4515				
25	Entry roller assembly	2	128TA4516				
26A	Wheel assembly, load (nylon) (single)	2	128TA4517				



TRP0003

HYDRAULIC UNIT TOTALLIFTER TRP0003




HYDRAULIC UNIT TOTALLIFTER TRP0003

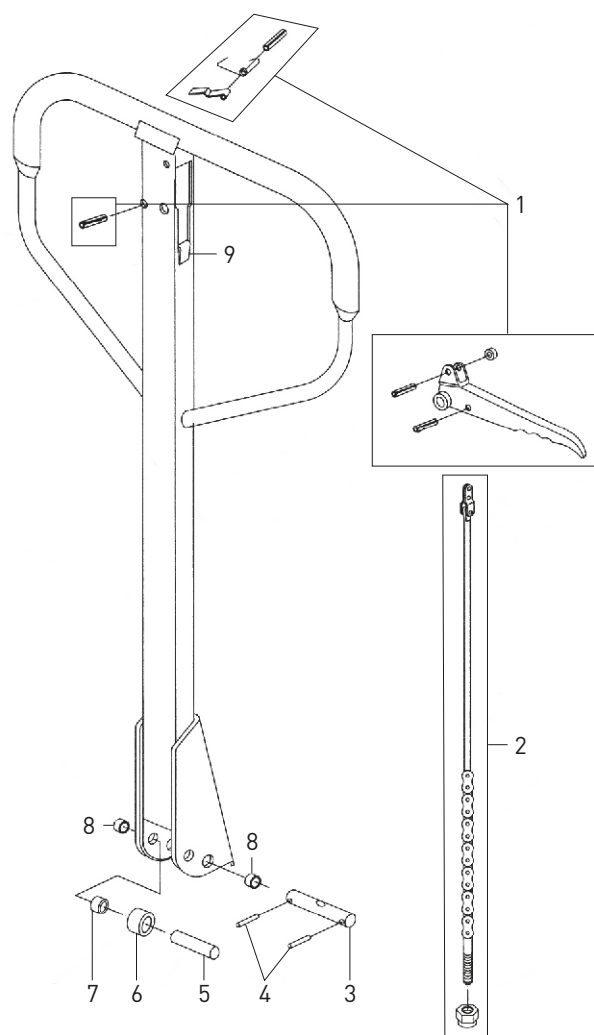
Nr	Description	Qty	REF
	Hydraulic unit	1	<u>144TA2961</u>
1	Piston, hydraulic pump unit	1	<u>144TA2754</u>
2	Cap, control handle pivot return spring	1	<u>144TA2752</u>
3	Spring, control handle return torsion	1	<u>144TA2753</u>
4	Body, hydraulic pump unit piston	1	<u>144TA2787</u>
5	Cap, front wheel hub	2	<u>144TA2757</u>
6	Circlip	2	<u>144TA2758</u>
7	Washer (thickness: 2 mm)	2	<u>144TA2759</u>
8A	Wheel assembly, steer (polyurethane)	2	<u>144TA7484</u>
8B	Wheel assembly, steer (nylon)	2	<u>144TA2958</u>
8C	Wheel assembly, steer (rubber)	2	<u>144TA2957</u>
9	Elastic pin	1	<u>144TA2771</u>
10	Elastic pin	1	<u>144TA2762</u>
11	Seal and bearing kit, steer wheel hub	1	<u>144TA2788</u>
12	Seal outer, steer wheel hub	1	<u>144TA2766</u>
13	Elastic pin	2	<u>144TA2763</u>
14	Thrust plate, hydraulic pump unit mounting	1	<u>144TA2764</u>
15	Grease nipple	1	<u>144TA2786</u>
16	Circlip	1	<u>144TA2765</u>
17	Shaft, steer wheel	1	<u>144TA2767</u>
18	Lever lift control	1	<u>144TA6577</u>
19	Valve release, hydraulic unit	1	<u>144TA2772</u>
20	Housing, pump	1	<u>144TA2773</u>
21	Screw, plug	1	<u>144TA2775</u>
22	Valve release, hydraulic unit	1	<u>144TA2959</u>
23	Piston, lift cylinder pallet truck	1	<u>144TA2779</u>
24	Steel ball, lift cylinder piston pallet truck	1	<u>144TA2780</u>
25	Kit seal, hydraulic unit	1	<u>144TA2960</u>

Nr	Description	Qty	REF



TRP0003

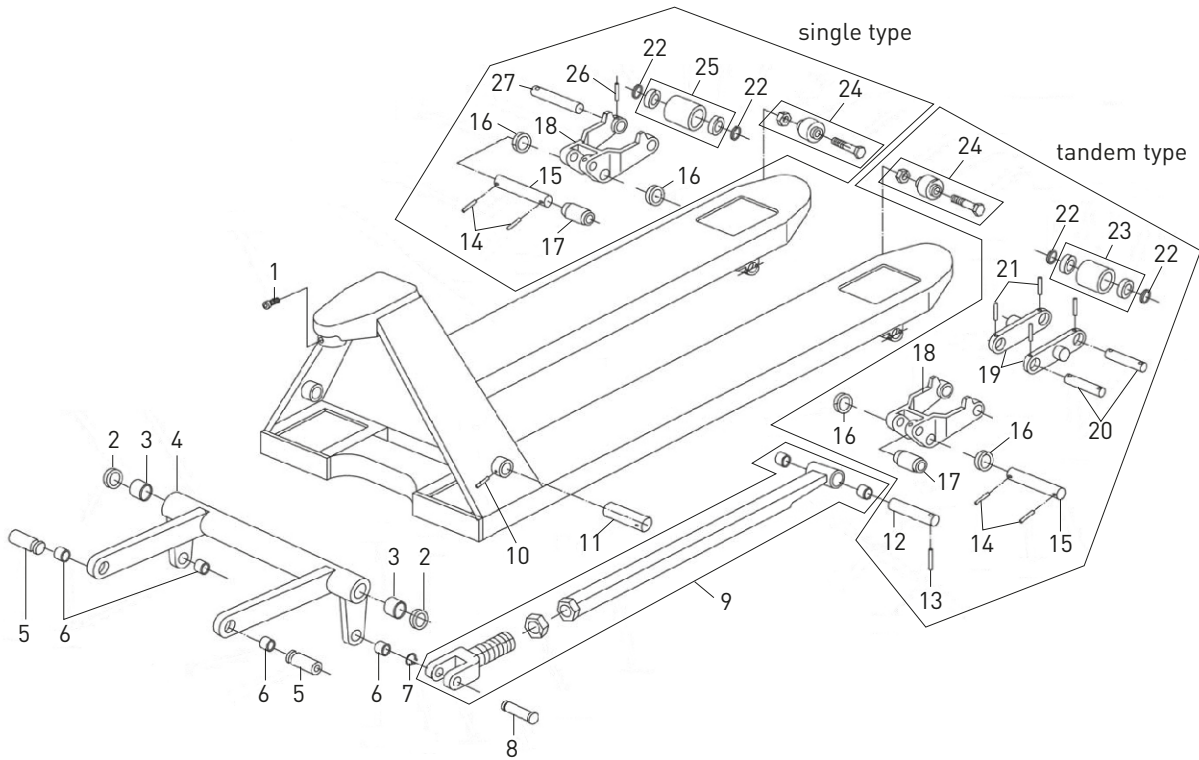
HANDLE TOTALLIFTER TRP0003





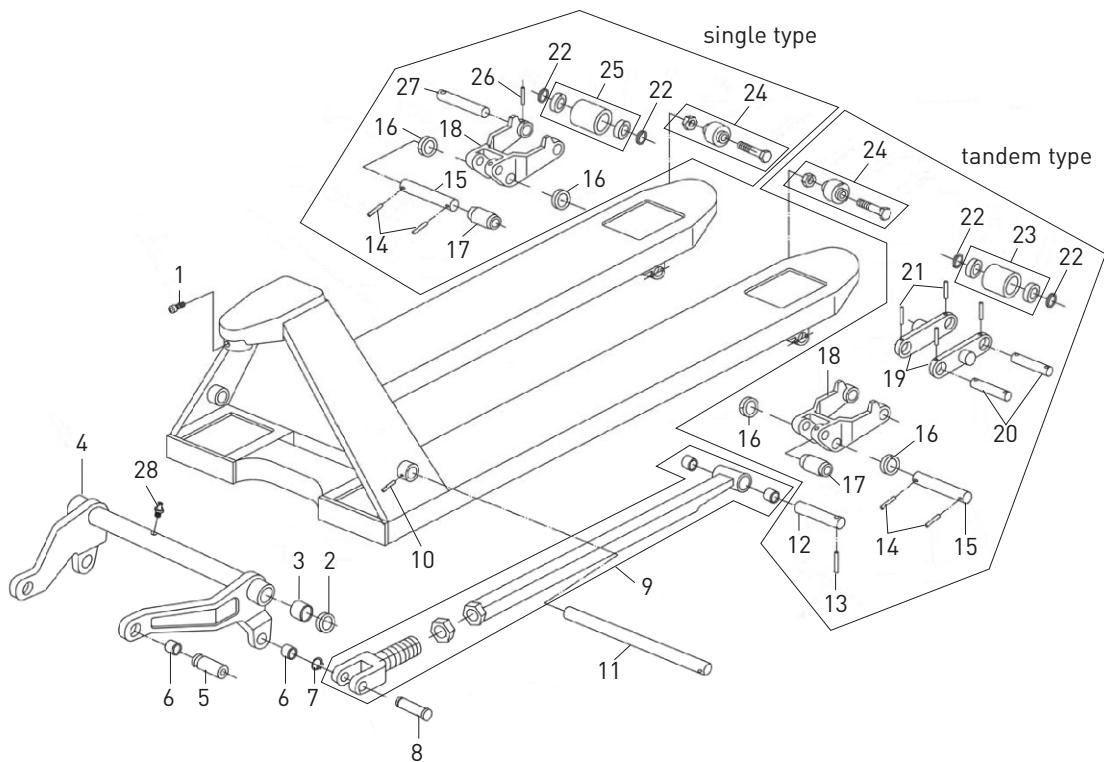
TRP0003

MAIN FRAME TOTALLIFTER TRP0003



TYPE A

TYPE B





MAIN FRAME TOTALLIFTER TRP0003

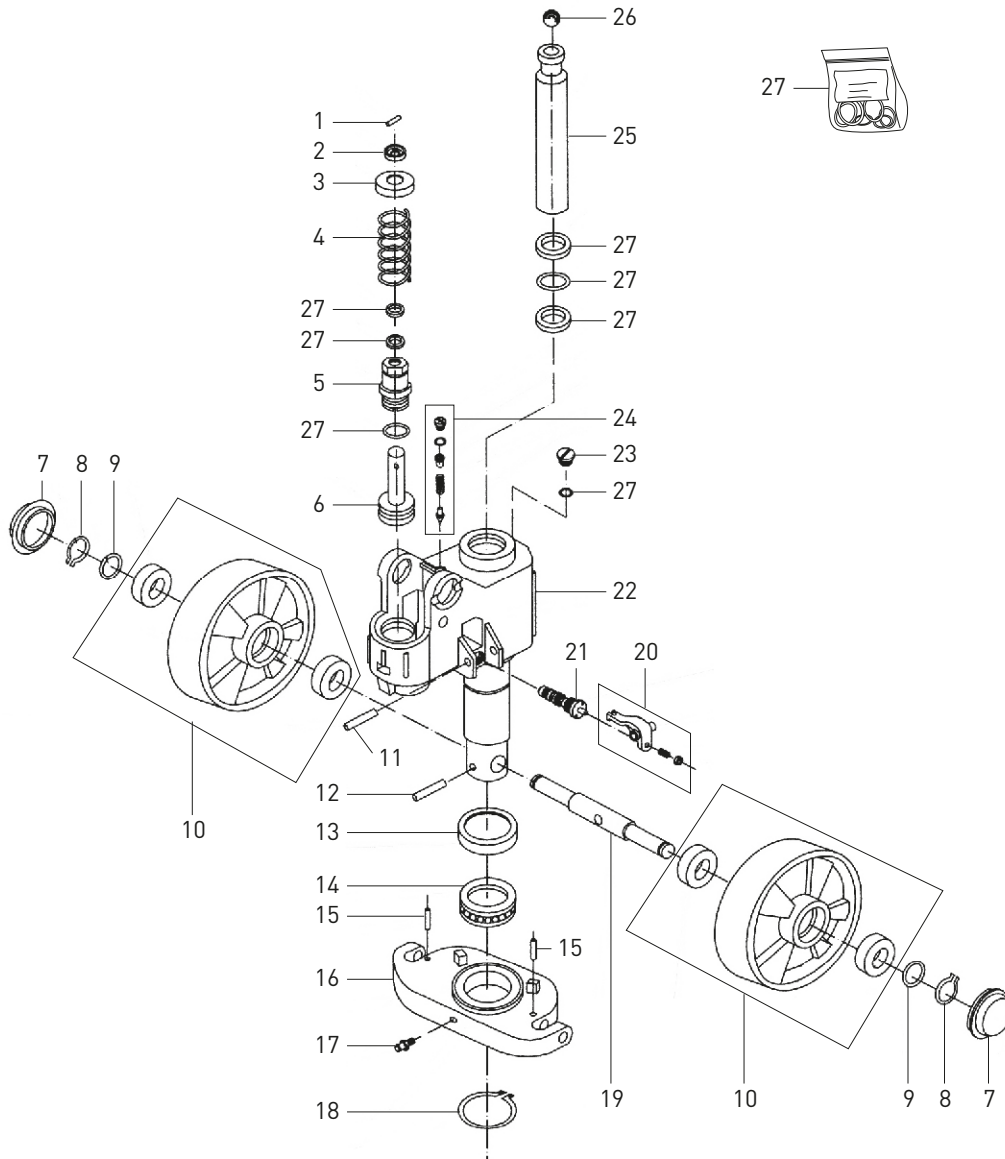
Nr	Description	Qty	REF
1	Bolt	1	144TA2665
2	Washer (thickness: 1,5 mm)	2	144TA2696
3	Bushing, torsion tube pivot	2	144TA2667
4A	Torsion tube (type A)	1	144TA2666
4B	Torsion tube (type B)	1	144TA7495
5	Shaft, torsion tube to thrust plate	2	144TA2668
6	Bushing, torsion tube to thrust plate	2	144TA2669
7	Circlip	2	144TA2670
8	Shaft, push/pull rod non fork end	2	144TA2672
9A	Push/pull rod assembly, lift structure (fork length: 800 mm)	2	144TA2699
9B	Push/pull rod assembly, lift structure (fork length: 900 mm)	2	144TA2700
9C	Push/pull rod assembly, lift structure (fork length: 1000 mm)	2	144TA2701
9D	Push/pull rod assembly, lift structure (fork length: 1150 mm)	2	144TA2702
9E	Push/pull rod assembly, lift structure (fork length: 1300 mm)	2	144TA2703
9F	Push/pull rod assembly, lift structure (fork length: 1500 mm)	2	144TA2704
9G	Push/pull rod assembly, lift structure (fork length: 1800 mm)	2	144TA2705
9H	Push/pull rod assembly, lift structure (fork length: 2000 mm)	2	144TA2706
10	Elastic pin	2	144TA2675
11A	Shaft pivot, torsion tube (type A)	2	144TA2676
11B	Shaft pivot, torsion tube (type B)	1	144TA7496
12	Shaft, push/pull rod fork end	2	144TA2677
13	Elastic pin	2	144TA2680
14	Elastic pin	4	144TA2681
15	Axle, exit roller	2	144TA2682
16	Wheel, exit roller (intermediate)	4	144TA2678
17	Wheel, exit roller	2	144TA2679
18	Fork, bracket load wheel	2	144TA2683
19	Fork, load wheel (for double wheel)	4	144TA2685

Nr	Description	Qty	REF
20	Shaft/bolt load wheel (for double wheel)	4	144TA2684
21	Elastic pin (for double wheel)	8	144TA2689
22	Washer (thickness: 2 mm)	4 or 8	144TA2686
23A	Wheel assembly, load (polyurethane)	4	144TA2942
23B	Wheel assembly, load (nylon)	4	144TA2945
24	Entry roller assembly	2	144TA6576
25A	Wheel assembly, load (polyurethane)	2	144TA2944
25B	Wheel assembly, load (nylon)	2	144TA2943
26	Elastic pin (for single wheel)	2	144TA2690
27	Shaft/bolt load wheel (for single wheel)	2	144TA2695
28	Grease nipple (M6)	1	144TA7497



TRP0004

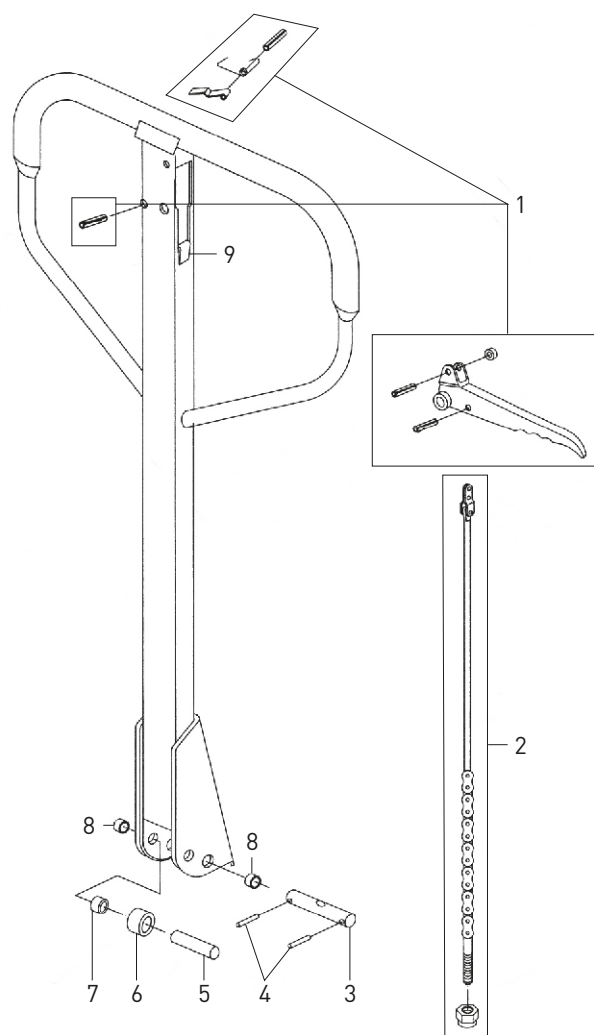
HYDRAULIC UNIT TOTALLIFTER TRP0004





TRP0004

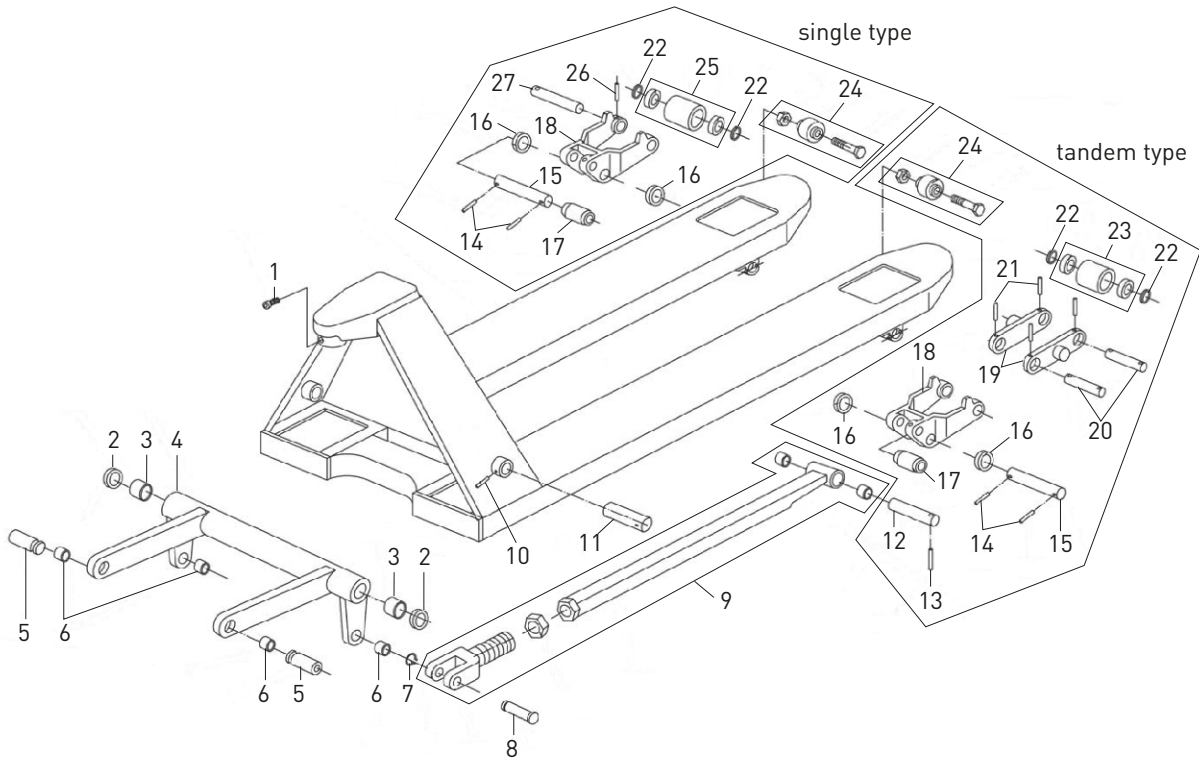
HANDLE TOTALLIFTER TRP0004





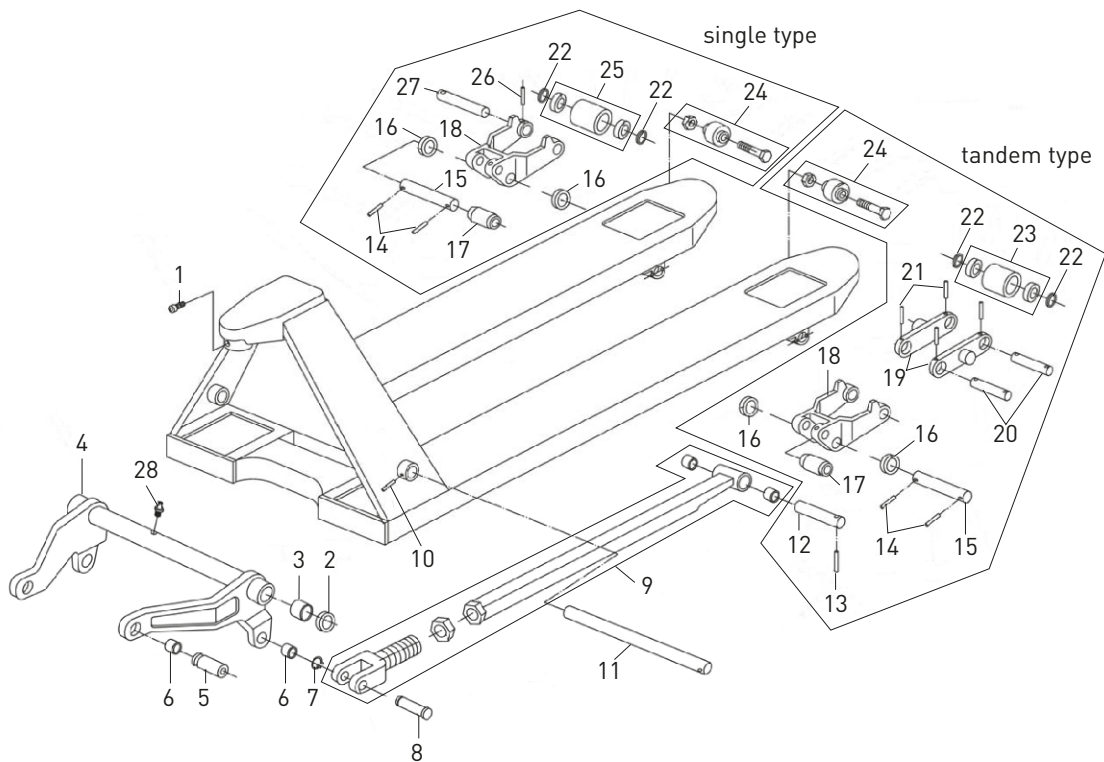
TRP0004

MAIN FRAME TOTALLIFTER TRP0004



TYPE A

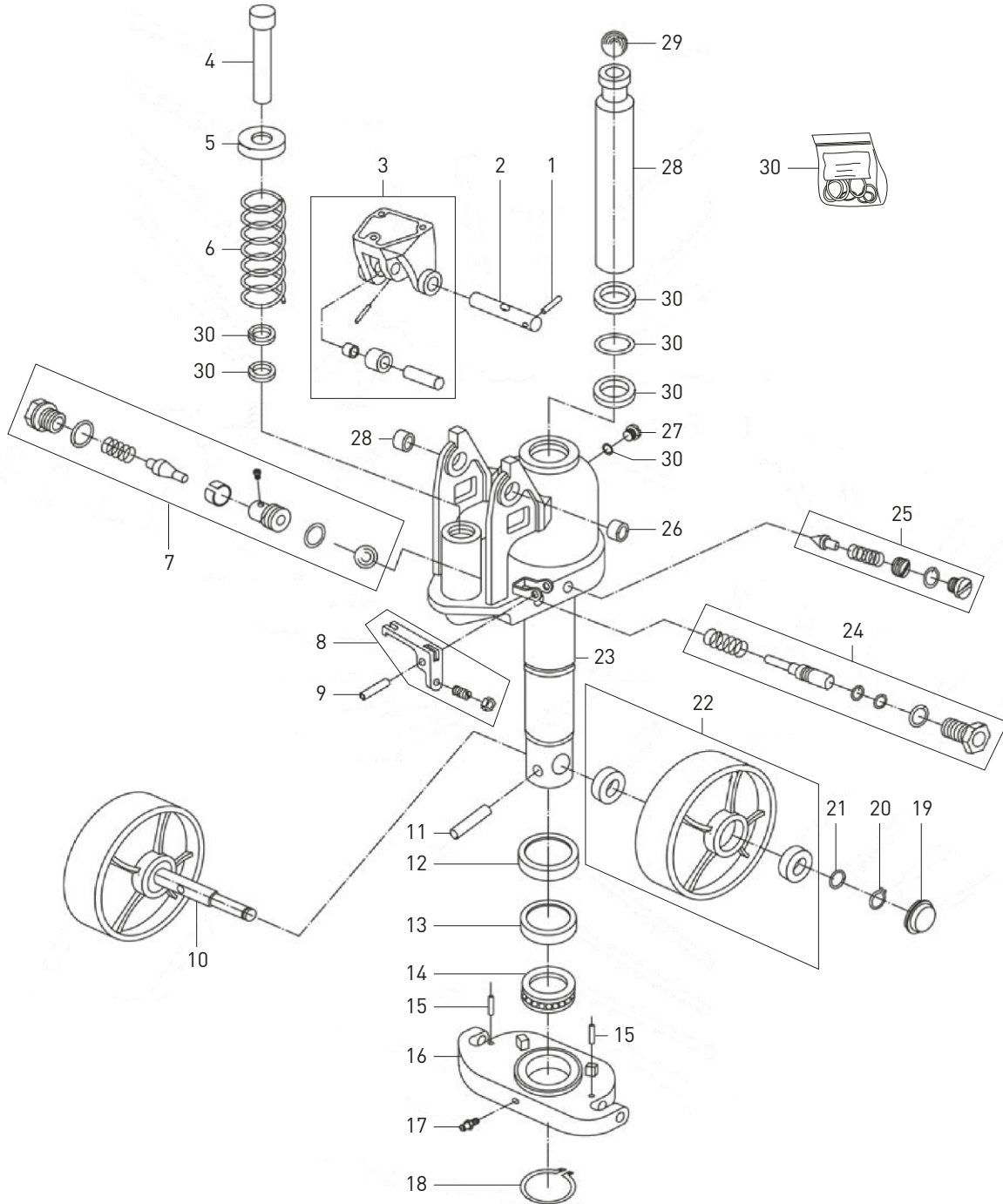
TYPE B





TRP0005

HYDRAULIC UNIT TOTALLIFTER TRP0005





HYDRAULIC UNIT TOTALLIFTER TRP0005

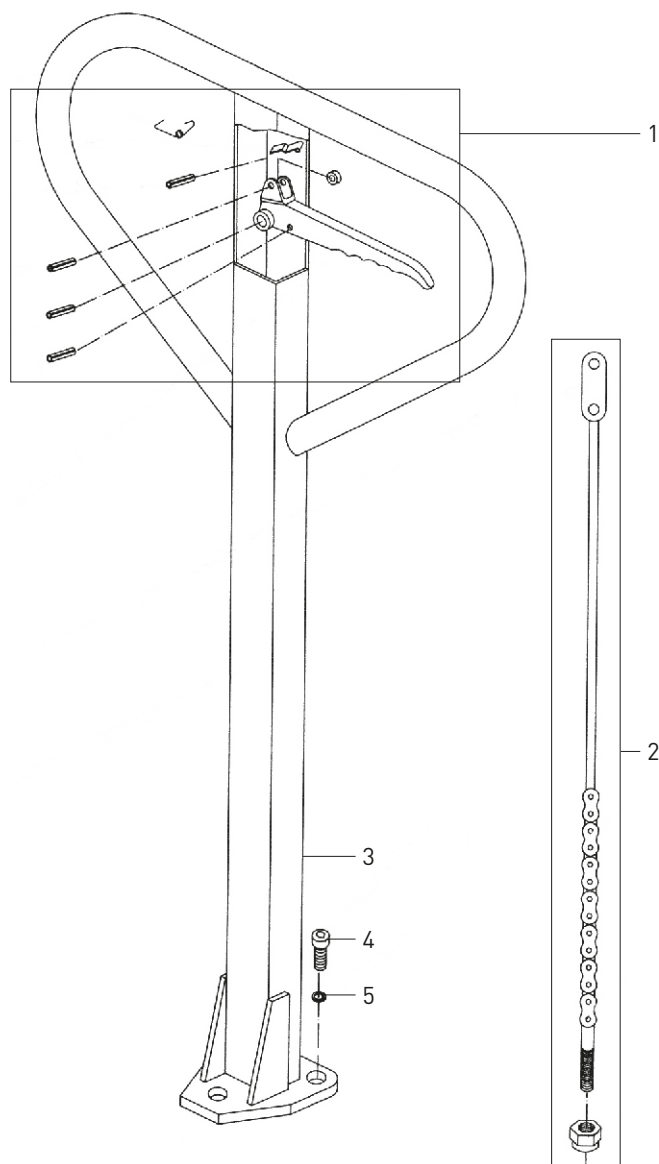
Nr	Description	Qty	REF
	Hydraulic unit	1	144TA2985
1	Elastic pin	1	144TA2911
2	Shaft, handle pivot	1	144TA2909
3	Bracket (tiller complete)	1	144TA2982
4	Piston, hydraulic pump unit	1	144TA2860
5	Cap, control handle pivot return spring	1	144TA2861
6	Spring, control handle return torsion	1	144TA2862
7	Valve release, hydraulic unit	1	144TA2983
8	Lever lift control	1	144TA6580
9	Elastic pin	1	144TA2901
10	Shaft, steer wheel	1	144TA2875
11	Elastic pin	1	144TA2873
12	Spacer	1	144TA2917
13	Spacer, pivot bearing hydraulic pump unit to chassis	1	144TA2879
14	Bearing, hydraulic unit pivot	1	144TA2880
15	Elastic pin	2	144TA2881
16	Thrust plate, hydraulic pump unit mounting	1	144TA2876
17	Oil holder	1	144TA2877
18	Circlip	1	144TA2878
19	Cap, front wheel hub	2	144TA2882
20	Circlip	2	144TA2883
21	Washer (thickness: 1,5 mm)	2	144TA2884
22A	Wheel assembly, steer (rubber)	2	144TA7484
22B	Wheel assembly, steer (nylon)	2	144TA2979
22C	Wheel assembly, steer (polyurethane)	2	144TA2978
23	Base of pump	1	144TA2872
24	Valve release, hydraulic unit	1	144TA2980
25	Valve release, hydraulic unit	1	144TA2981
26	Bushing, handle pivot	2	144TA2914
27	Screw	1	144TA2905
28	Piston, lift cylinder pallet truck	1	144TA2903
29	Steel ball, lift cylinder piston pallet truck	1	144TA2902
30	Kit seal, hydraulic unit	1	144TA2984

Nr	Description	Qty	REF



TRP0005

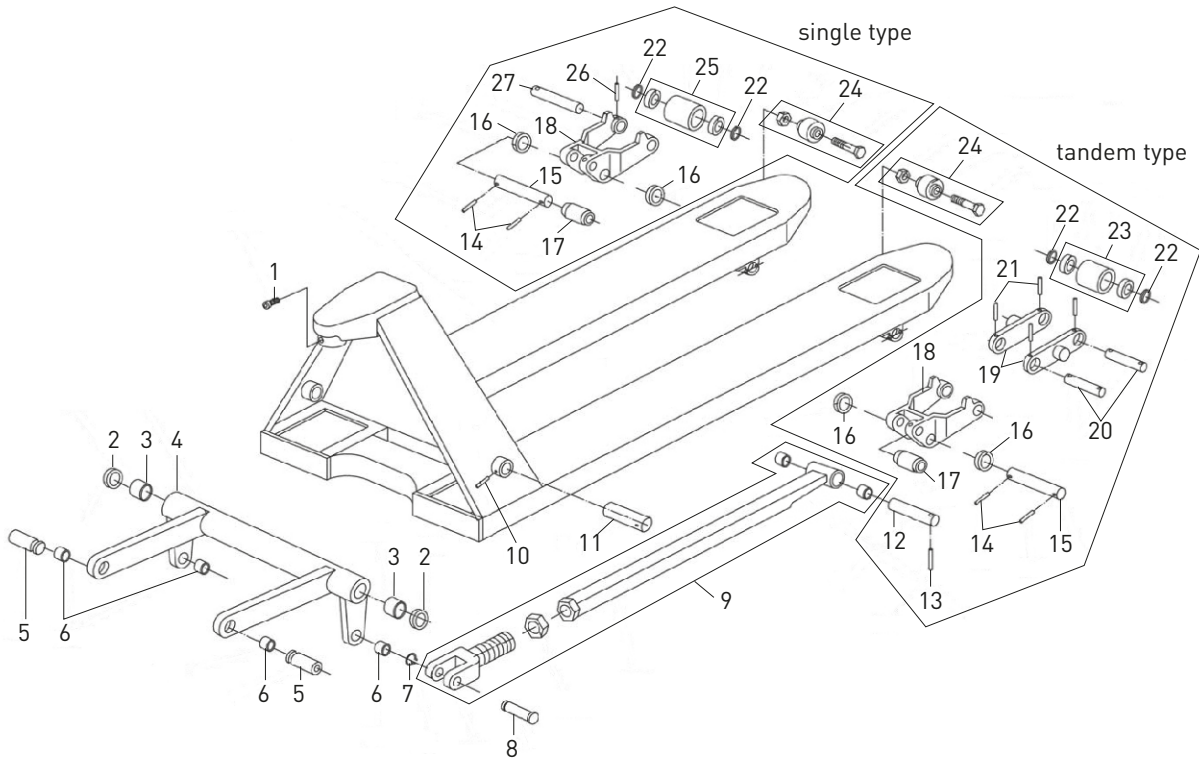
HANDLE TOTALLIFTER TRP0005





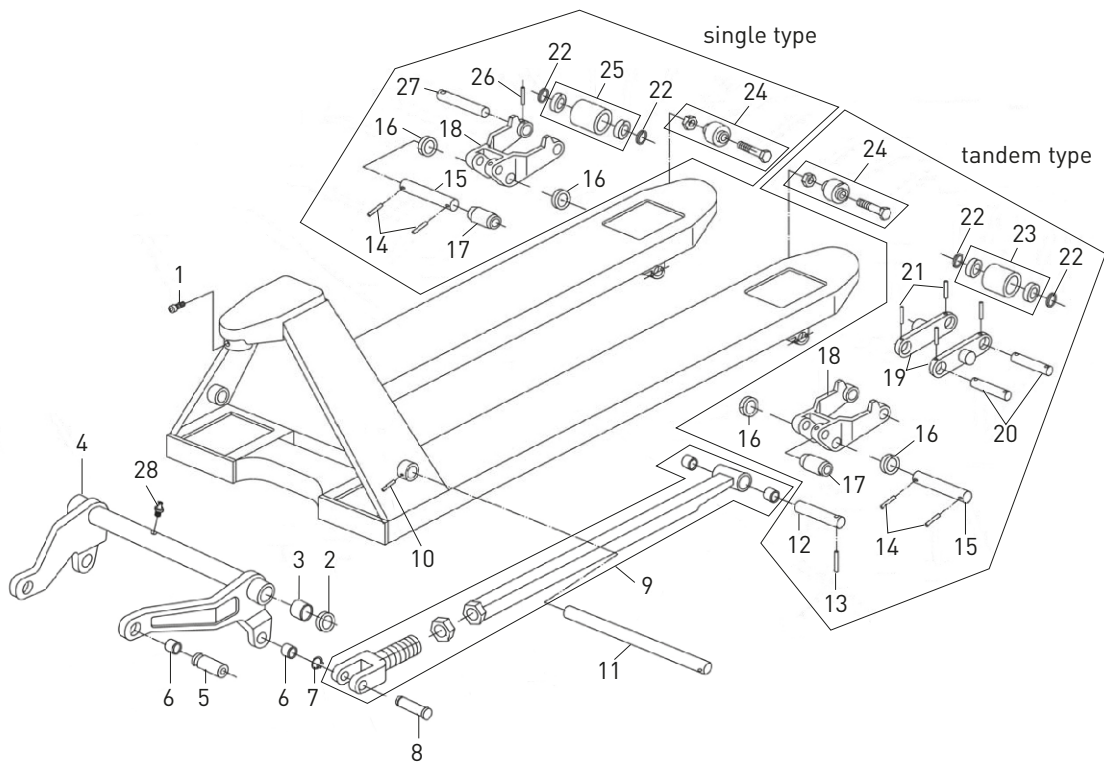
TRP0005

MAIN FRAME TOTALLIFTER TRP0005



TYPE A

TYPE B





MAIN FRAME TOTALLIFTER TRP0005

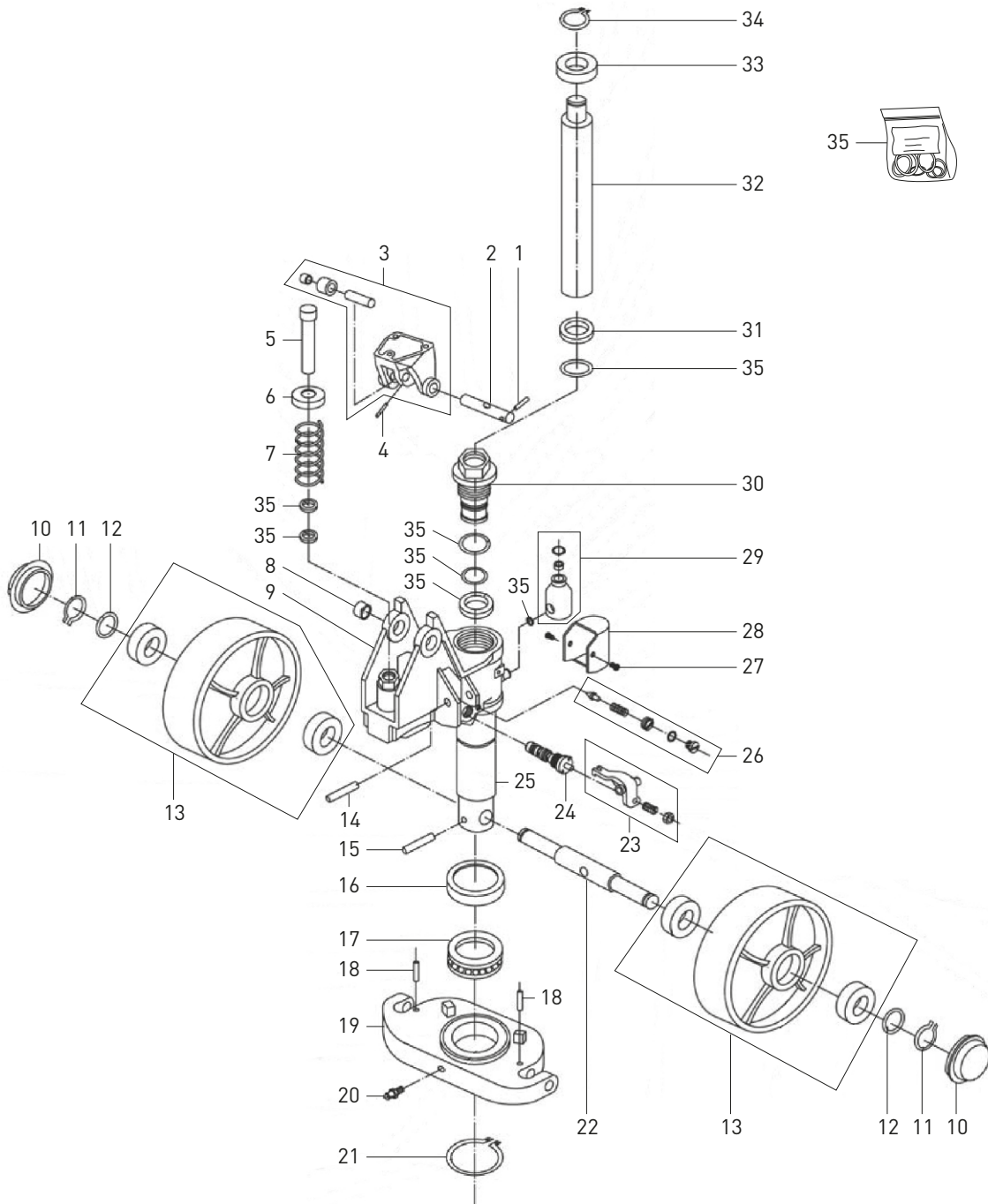
Nr	Description	Qty	REF
1	Bolt	1	144TA2665
2	Washer (thickness: 1,5 mm)	2	144TA2696
3	Bushing, torsion tube pivot	2	144TA2667
4A	Torsion tube (type A)	1	144TA2666
4B	Torsion tube (type B)	1	144TA7495
5	Shaft, torsion tube to thrust plate	2	144TA2668
6	Bushing, torsion tube to thrust plate	2	144TA2669
7	Circlip	2	144TA2670
8	Shaft, push/pull rod non fork end	2	144TA2672
9A	Push/pull rod assembly, lift structure (fork length: 800 mm)	2	144TA2699
9B	Push/pull rod assembly, lift structure (fork length: 900 mm)	2	144TA2700
9C	Push/pull rod assembly, lift structure (fork length: 1000 mm)	2	144TA2701
9D	Push/pull rod assembly, lift structure (fork length: 1150 mm)	2	144TA2702
9E	Push/pull rod assembly, lift structure (fork length: 1300 mm)	2	144TA2703
9F	Push/pull rod assembly, lift structure (fork length: 1500 mm)	2	144TA2704
9G	Push/pull rod assembly, lift structure (fork length: 1800 mm)	2	144TA2705
9H	Push/pull rod assembly, lift structure (fork length: 2000 mm)	2	144TA2706
10	Elastic pin	2	144TA2675
11A	Shaft pivot, torsion tube (type A)	2	144TA2676
11B	Shaft pivot, torsion tube (type B)	1	144TA7496
12	Shaft, push/pull rod fork end	2	144TA2677
13	Elastic pin	2	144TA2680
14	Elastic pin	4	144TA2681
15	Axle, exit roller	2	144TA2682
16	Wheel, exit roller (intermediate)	4	144TA2678
17	Wheel, exit roller	2	144TA2679
18	Fork, bracket load wheel	2	144TA2683
19	Fork, load wheel (for double wheel)	4	144TA2685

Nr	Description	Qty	REF
20	Shaft/bolt load wheel (for double wheel)	4	144TA2684
21	Elastic pin (for double wheel)	8	144TA2689
22	Washer (thickness: 2 mm)	4 or 8	144TA2686
23A	Wheel assembly, load (polyurethane)	4	144TA2942
23B	Wheel assembly, load (nylon)	4	144TA2945
24	Entry roller assembly	2	144TA6576
25A	Wheel assembly, load (polyurethane)	2	144TA2944
25B	Wheel assembly, load (nylon)	2	144TA2943
26	Elastic pin (for single wheel)	2	144TA2690
27	Shaft/bolt load wheel (for single wheel)	2	144TA2695
28	Grease nipple (m6)	1	144TA7497



TRP0006

HYDRAULIC UNIT TOTALLIFTER TRP0006





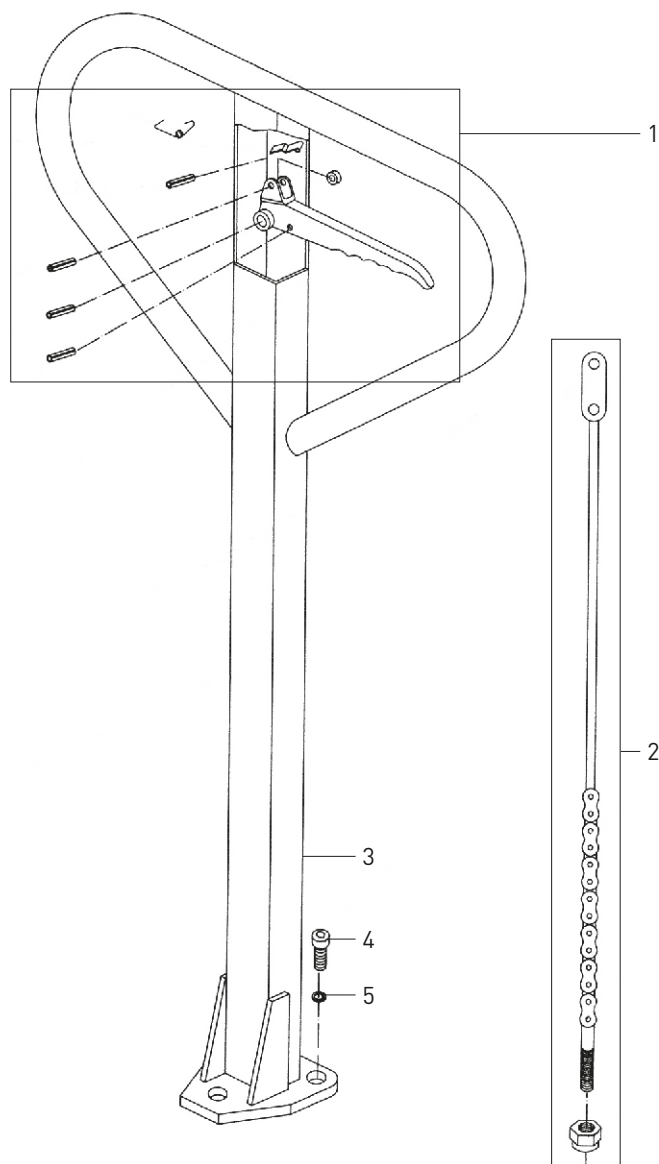
HYDRAULIC UNIT TOTALLIFTER TRP0006

Nr	Description	Qty	REF	Nr	Description	Qty	REF
	Hydraulic unit	1	144TA2977	33	Bearing	1	144TA2850
1	Elastic pin	1	144TA2851	34	Circlip	1	144TA2859
2	Shaft, handle pivot	1	144TA2852	35	Kit seal, hydraulic unit	1	144TA2976
3	Bracket (tiller complete)	1	144TA2975				
4	Elastic pin	1	144TA2857				
5	Piston, hydraulic pump unit	1	144TA2807				
6	Cap, control handle pivot return spring	1	144TA2808				
7	Spring, control handle return torsion	1	144TA2809				
8	Bushing, handle pivot	2	144TA2858				
9	Body, hydraulic pump unit piston	1	144TA2812				
10	Cap, front wheel hub	2	144TA2816				
11	Circlip	2	144TA2815				
12	Washer (nylon) (thickness: 1,6 mm)	2	144TA2814				
13A	Wheel assembly, steer (rubber)	2	144TA7484				
13B	Wheel assembly, steer (nylon)	2	144TA2973				
13C	Wheel assembly, steer (polyurethane)	2	144TA2972				
14	Elastic pin	1	144TA2818				
15	Elastic pin	1	144TA2819				
16	Spacer, pivot bearing hydraulic pump unit to chassis	1	144TA2820				
17	Bearing, hydraulic unit pivot	1	144TA2821				
18	Elastic pin	2	144TA2822				
19	Thrust plate, hydraulic pump unit mounting	1	144TA2823				
20	Grease nipple	1	144TA2824				
21	Circlip	1	144TA2825				
22	Shaft, steer wheel	1	144TA2826				
23	Lever lift control	1	144TA6578				
24	Valve release, hydraulic unit	1	144TA2827				
25	Housing, pump	1	144TA2828				
26	Valve release, hydraulic unit	1	144TA2974				
27	Screw	2	144TA2837				
28	Protection, hydraulic pump unit oil tank	1	144TA2838				
29	Tank, hydraulic oil	1	144TA6579				
30	Body, hydraulic pump unit piston	1	144TA2846				
31	Wiper ring	1	144TA2848				
32	Piston, lift cylinder pallet truck	1	144TA2849				



TRP0006

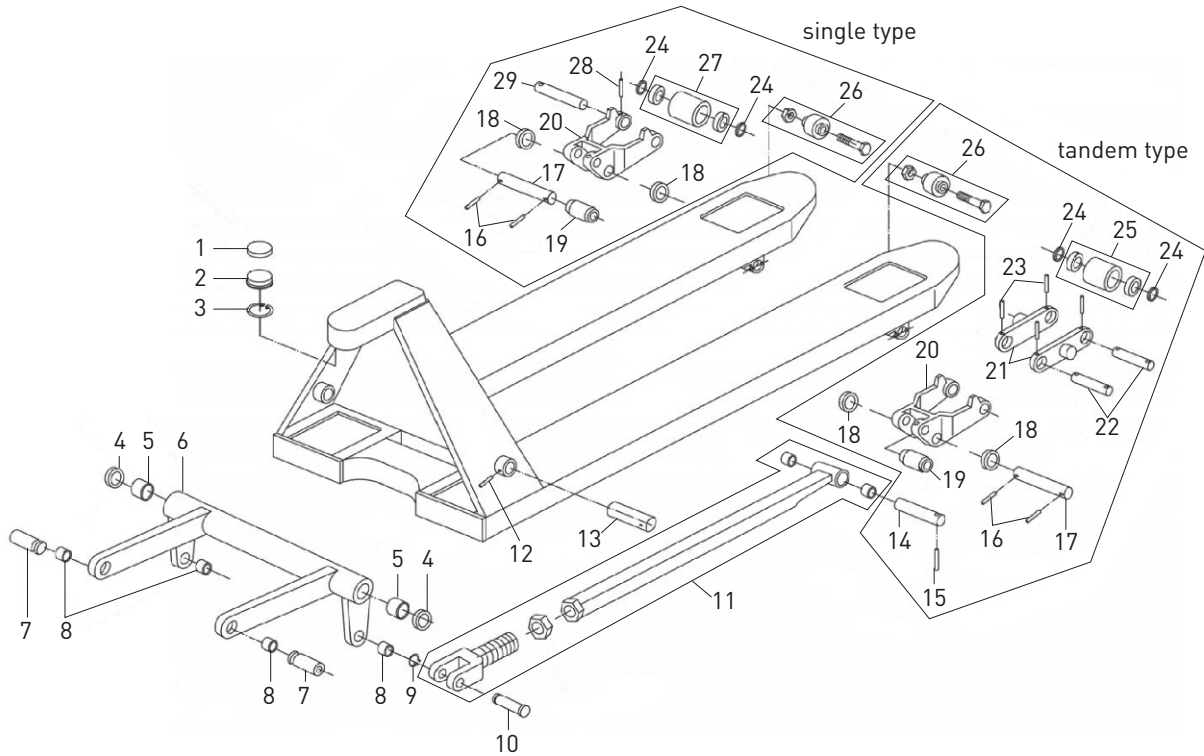
HANDLE TOTALLIFTER TRP0006





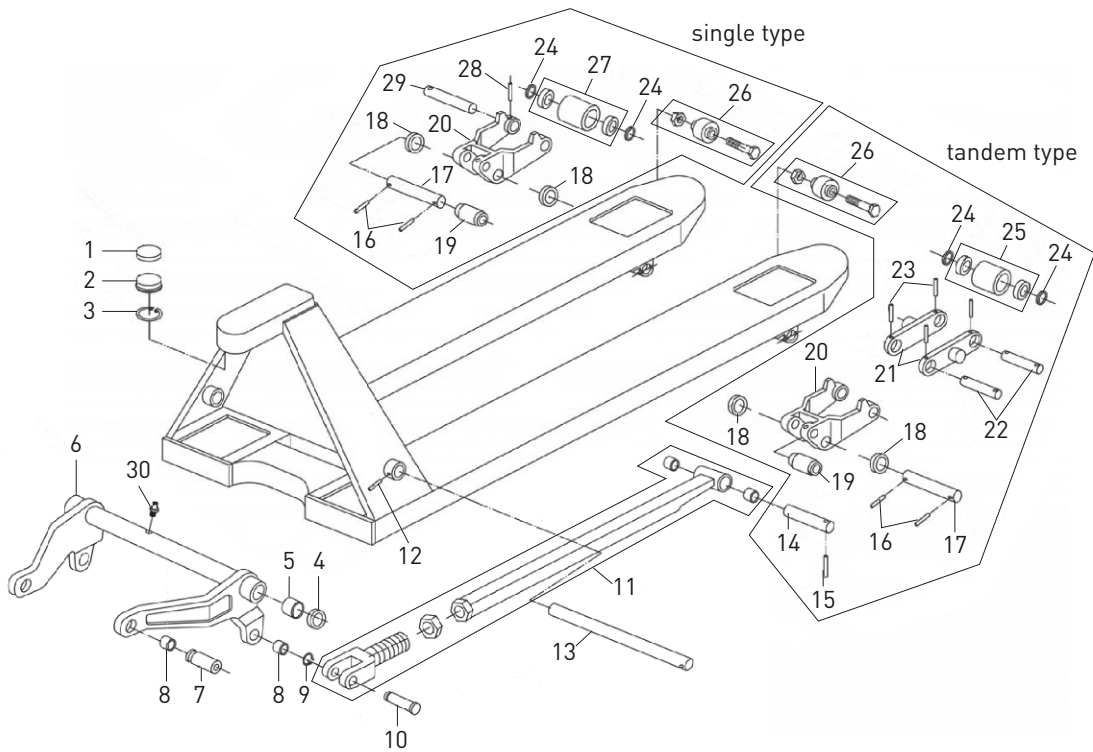
TRP0006

MAIN FRAME TOTALLIFTER TRP0006



TYPE A

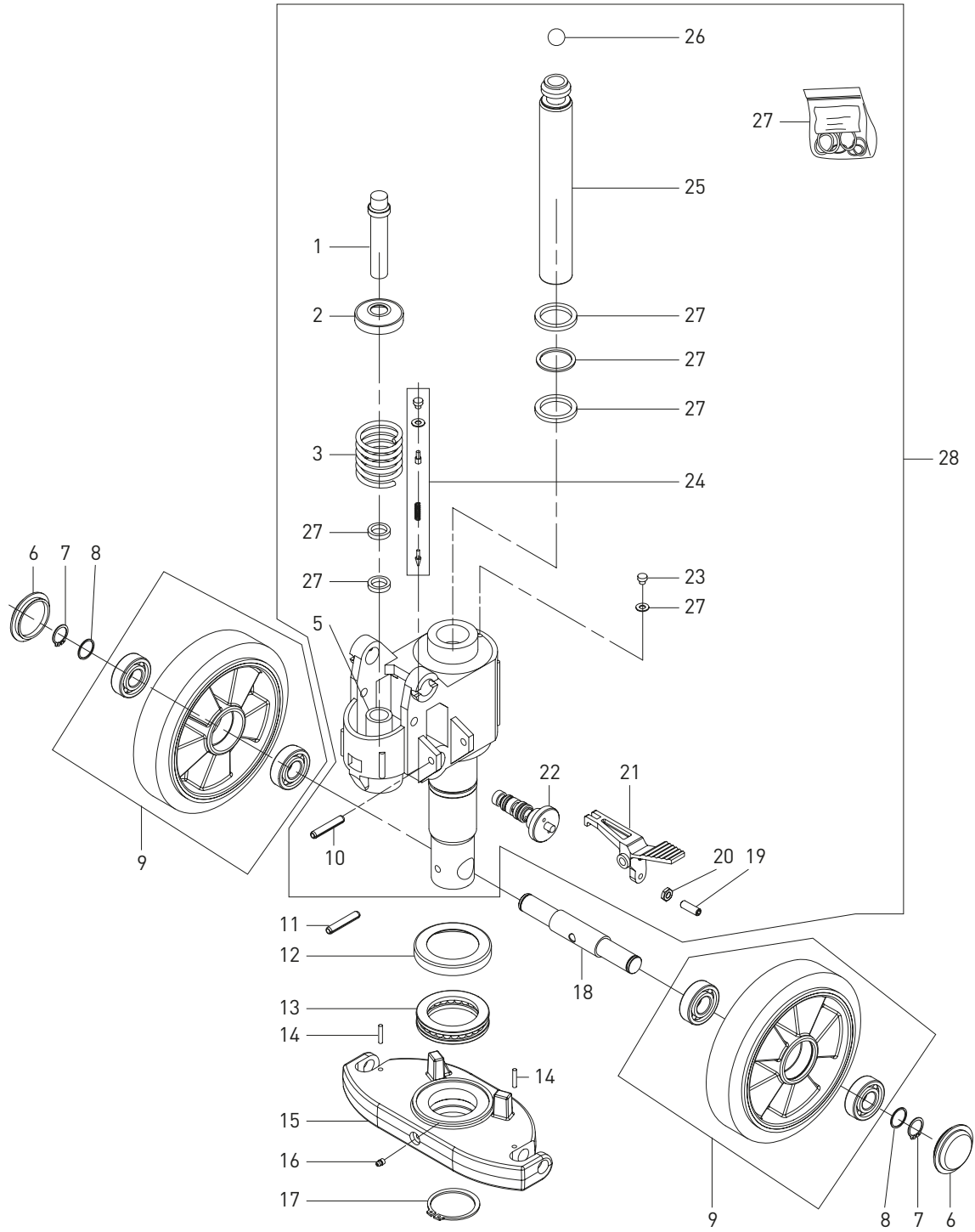
TYPE B





TRP0007

HYDRAULIC UNIT TOTALLIFTER TRP0007





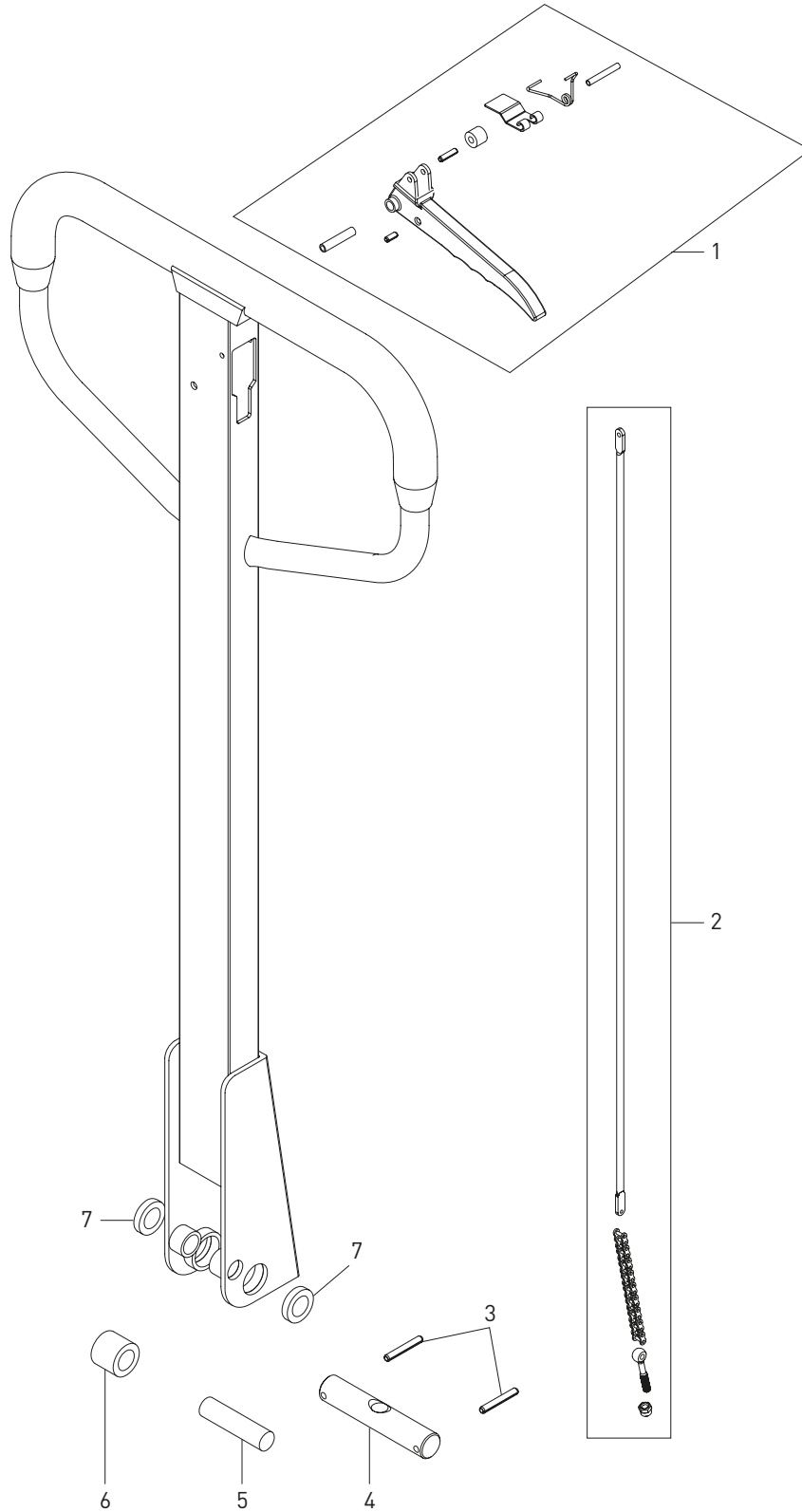
HYDRAULIC UNIT TOTALLIFTER TRP0007

Nr	Description	Qty	REF	Nr	Description	Qty	REF
1	Piston, hydraulic pump unit	1	144TA6516				
2	Cap, control handle pivot return spring	1	144TA6517				
3	Spring, control handle return torsion	1	144TA6518				
5	Body, hydraulic pump unit piston	1	144TA6521				
6	Cap, front wheel hub	2	144TA6535				
7	Circlip	2	144TA6534				
8	Washer (thickness: 2 mm)	2	144TA6523				
9	Wheel assembly, steer (rubber)	2	144TA6555				
10	Elastic pin	1	144TA6525				
11	Elastic pin	1	144TA6526				
12	Spacer, pivot bearing hydraulic pump unit to chassis	1	144TA6527				
13	Bearing, hydraulic unit pivot	1	144TA6528				
14	Elastic pin	2	144TA6529				
15	Thrust plate, hydraulic pump unit mounting	1	144TA6530				
16	Grease nipple	1	144TA6531				
17	Circlip	1	144TA6532				
18	Shaft, steer wheel	1	144TA6533				
19	Screw	1	144TA6553				
20	Nut	1	144TA6537				
21	Lever lift control	1	144TA6554				
22	Valve release, hydraulic unit	1	144TA6539				
23	Plug	1	144TA6542				
24	Valve release, hydraulic unit	1	144TA6557				
25	Piston, lift cylinder pallet truck	1	144TA6551				
26	Steel ball, lift cylinder piston pallet truck	1	144TA6552				
27	Kit seal, hydraulic unit	1	144TA8704				
28	Hydraulic unit	1	144TA6556				



TRP0007

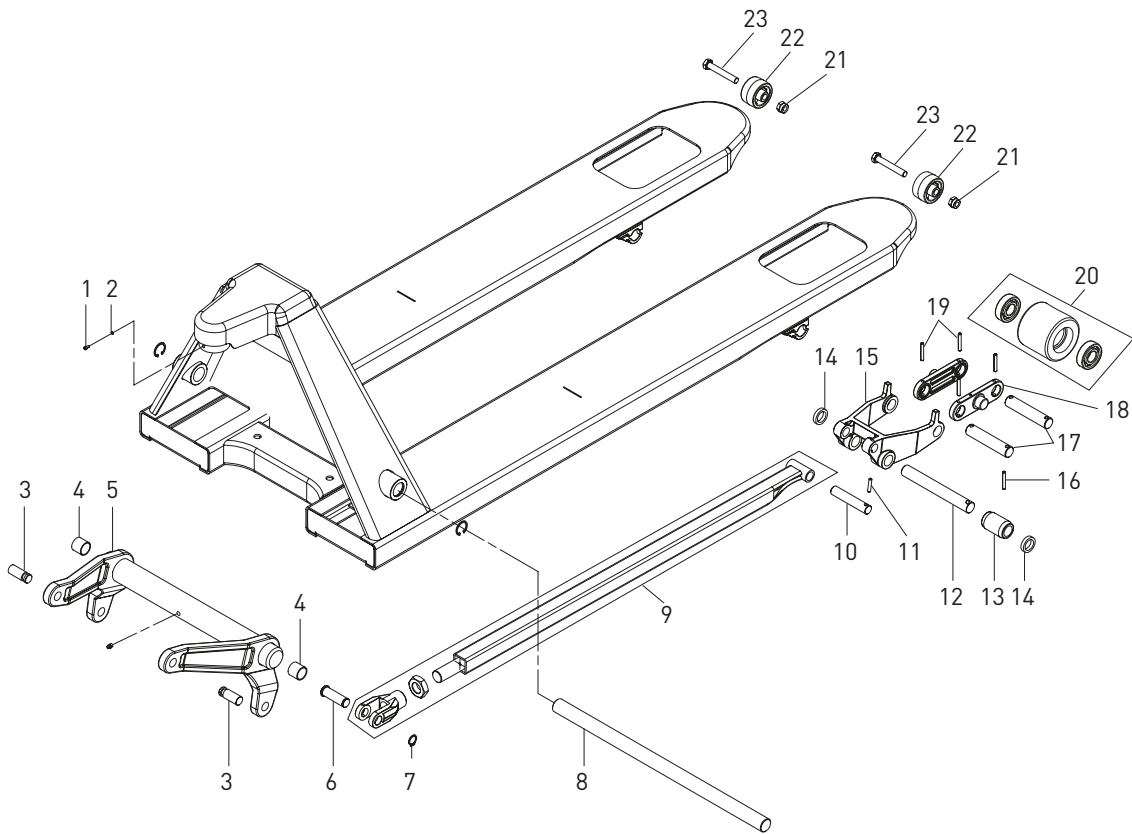
HANDLE TOTALLIFTER TRP0007





TRP0007

MAIN FRAME TOTALLIFTER TRP0007





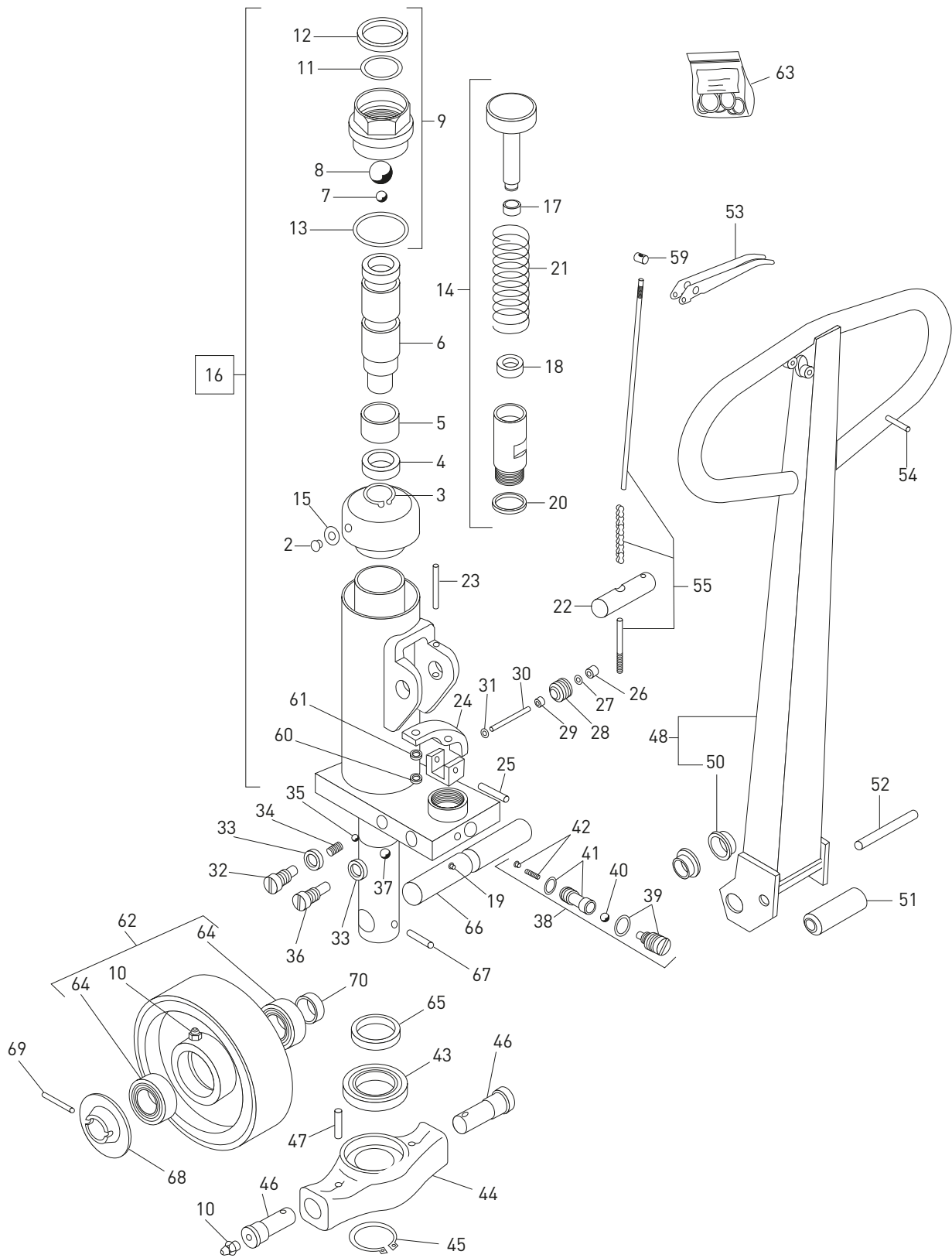
MAIN FRAME TOTALLIFTER TRP0007

Nr	Description	Qty	REF	Nr	Description	Qty	REF
1	Bolt	1	<u>144TA6481</u>				
2	Spring washer	1	<u>144TA6480</u>				
3	Shaft, torsion tube to thrust plate	2	<u>144TA6483</u>				
4	Bushing, torsion tube pivot	2	<u>144TA6505</u>				
5	Torsion tube	1	<u>144TA6482</u>				
6	Shaft, push/pull rod non fork end	2	<u>144TA6486</u>				
7	Circlip	2	<u>144TA6484</u>				
8	Shaft pivot, torsion tube	1	<u>144TA6488</u>				
9	Push/pull rod assembly, lift structure	2	<u>144TA6513</u>				
10	Shaft, push/pull rod fork end	2	<u>144TA6490</u>				
11	Elastic pin	2	<u>144TA6491</u>				
12	Axle, exit roller	2	<u>144TA2682</u>				
13	Wheel, exit roller	2	<u>144TA6512</u>				
14	Wheel, exit roller (intermediate)	4	<u>144TA2678</u>				
15	Fork, bracket load wheel	2	<u>144TA2683</u>				
16	Elastic pin	4	<u>144TA2690</u>				
17	Shaft/bolt load wheel	4	<u>144TA6496</u>				
18	Fork, load wheel	4	<u>144TA6497</u>				
19	Elastic pin	8	<u>144TA2689</u>				
20	Wheel assembly, load	4	<u>144TA6514</u>				
21	Nut	2	<u>144TA6502</u>				
22	Wheel, entry roller	2	<u>144TA6501</u>				
23	Shaft/bolt, entry roller	2	<u>144TA6500</u>				



TRPI0001 (-31/12/2015)

HYDRAULIC UNIT TOTALLIFTER TRPI0001 (-31/12/2015)





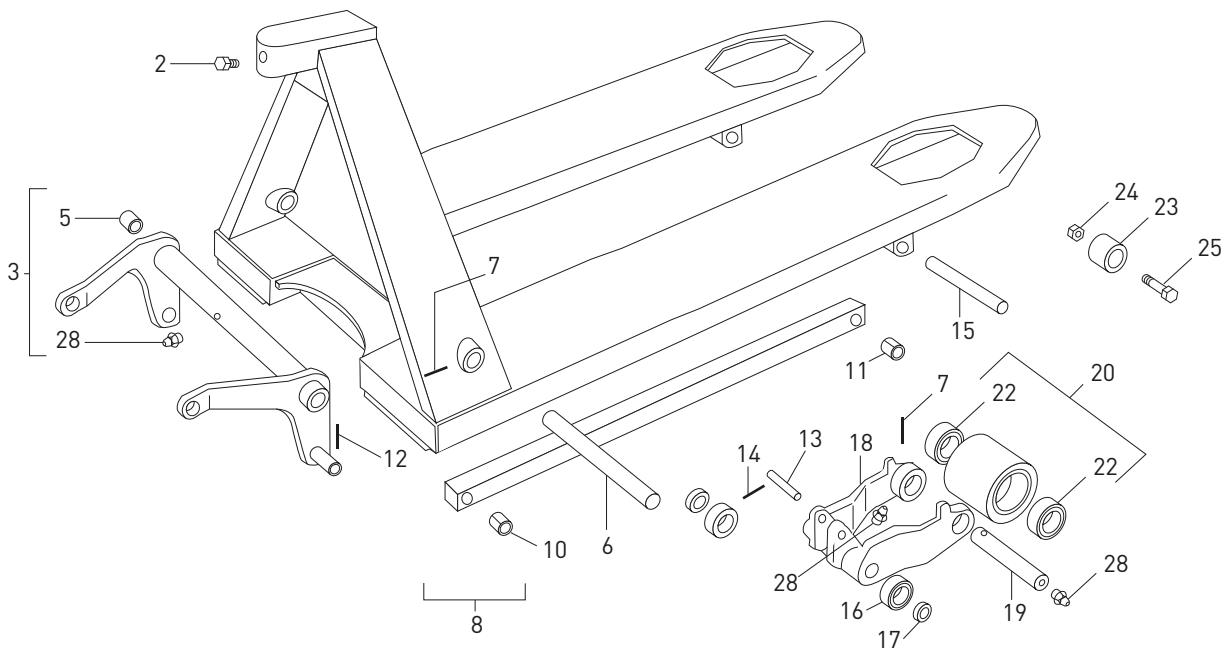
HYDRAULIC UNIT TOTALLIFTER TRPI0001 (-31/12/2015)

Nr	Description	Qty	REF	Nr	Description	Qty	REF
2	Plug/screw	1	121TA1066	42	Seat, spring (with spring)	1	120TA9968
3	Circlip	1	120TA9932	43	Bearing, hydraulic unit pivot	1	120TA9969
4	Lip seal	1	120TA9933	44	Thrust plate, hydraulic pump unit mounting	1	121TA1079
5	Bushing	1	120TA9934	45	Circlip	1	121TA1080
6	Piston, lift cylinder pallet truck	1	121TA1067	46	Axle	2	121TA1081
7	Steel ball	1	120TA9936	47	Elastic pin	2	121TA1082
8	Steel ball	1	120TA9937	48	Handle assembly	1	121TA1083
9	Body, hydraulic pump unit piston	1	121TA1068	50	Bushing, handle pivot	2	105TA1847
10	Grease nipple	5	121TA1064	51	Roller, control handle pump	1	120TA9977
11	O-ring	1	120TA9939	52	Pin, control handle pump roller	1	121TA1085
12	Wiper ring (rubber)	1	120TA9940	53	Lever lowering, tiller	1	121TA1086
13	O-ring	1	120TA9941	54	Elastic pin	1	121TA1053
14	Cylinder, pump (complete with pump piston)	1	121TA1069	55	Rod complete, lowering	1	121TA1087
15	Bonded seal	1	121TA1100	59	Nut, special	1	121TA1091
16	Hydraulic unit	1	121TA1101	60	Nut	1	121TA1092
17	Lip seal	1	120TA9944	61	Washer (thickness: 1,5 mm)	1	121TA1093
18	Oil seal	1	120TA9945	62A	Wheel assembly, steer (polyurethane) (nylon rim)	2	121TA1094
19	Cap	1	120TA9946	62B	Wheel assembly, steer (nylon)	2	121TA1095
20	Washer (copper) (thickness: 2 mm)	1	105TA1245	63	Kit seal, hydraulic unit	1	107TA7001
21	Spring, control handle return torsion	1	121TA1070	64	Ball bearing	4	107TA3181
22	Shaft, handle pivot	1	121TA1071	65	Spacer, pivot bearing hydraulic pump unit to chassis	1	120TA9991
23	Elastic pin	1	121TA1072	66	Shaft, steer wheel	1	121TA1097
24	Lever lift control	1	121TA1073	67	Elastic pin	1	121TA1098
25	Elastic pin	1	121TA1074	68	Cap, front wheel hub	2	120TA9994
26	Bushing (rubber)	1	120TA9952	69	Elastic pin	2	121TA1099
27	Washer (thickness: 4,5 mm)	1	121TA1075	70	Bushing (without collar)	2	105TA2313
28	Valve screw	1	120TA9954				
29	Lip seal	1	120TA9955				
30	Pin, release	1	120TA9956				
31	O-ring	1	120TA9957				
32	Collar screw (long)	1	121TA1076				
33	Bonded seal (steel) (thickness: 1,5 mm)	2	120TA9959				
34	Spring (valve)	1	120TA9960				
35	Steel ball	1	120TA9961				
36	Collar screw (long)	1	121TA1077				
37	Steel ball	1	120TA9963				
38	Valve release, hydraulic unit	1	121TA1078				
39	O-ring	2	120TA9965				
40	Steel ball	1	120TA9966				
41	O-ring	2	120TA9967				

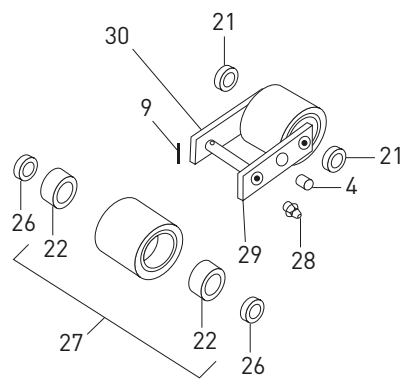


TRPI0001 (-31/12/2015)

MAIN FRAME TOTALLIFTER TRPI0001 (-31/12/2015)



TANDEM



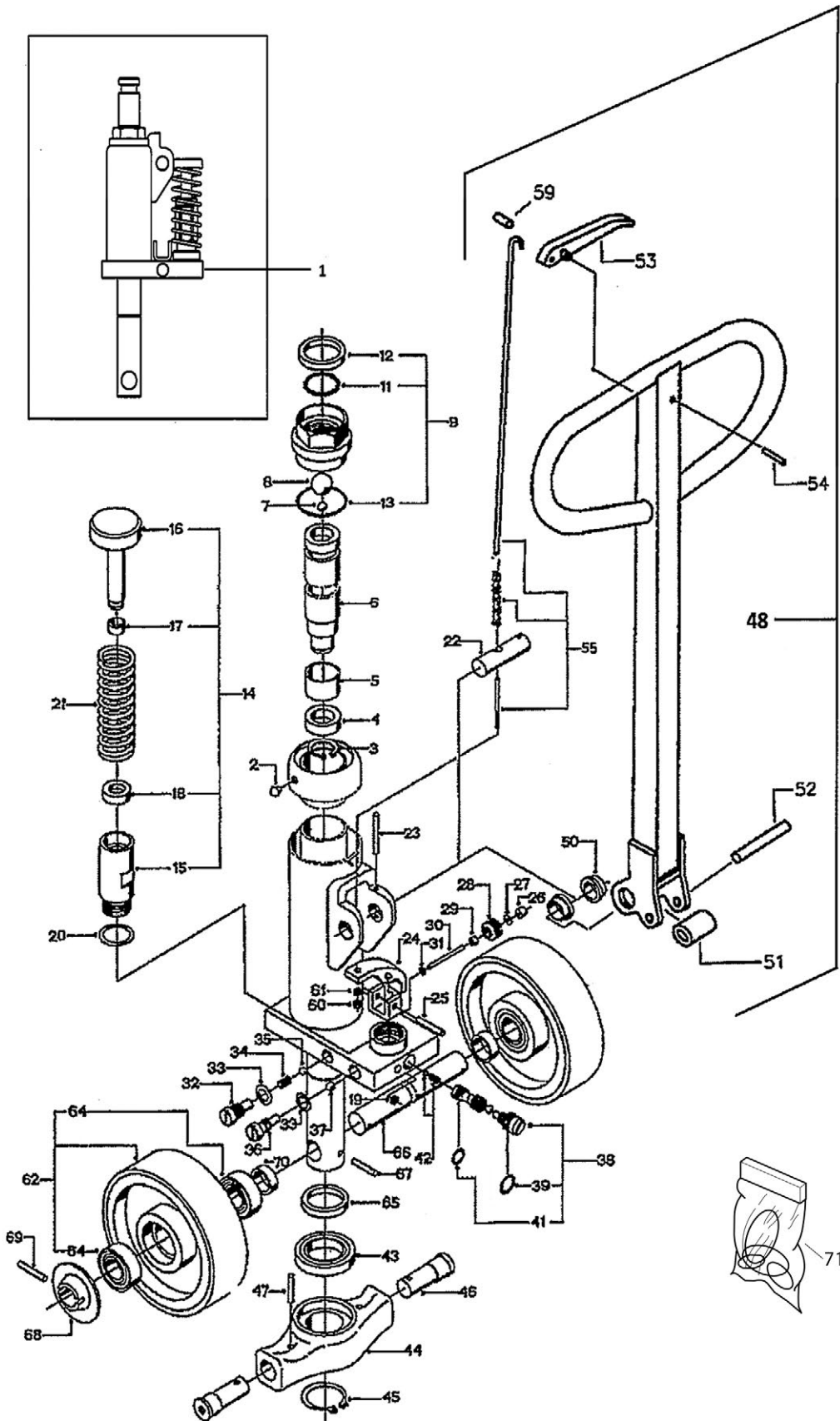

MAIN FRAME TOTALLIFTER TRPI0001 (-31/12/2015)

Nr	Description	Qty	REF	Nr	Description	Qty	REF
2	Bolt	1	121TA1045	29	Fork, load wheel	2	103TA7742
3A	Torsion tube (fork width: 520 mm)	1	121TA1046	30	Fork, load wheel	2	103TA7734
3B	Torsion tube (fork width: 685 mm)	1	121TA1047				
4	Shaft, center, fork load wheel	4	121TA1062				
5A	Bushing, torsion tube pivot (fork width: 520 mm)	2	121TA1000				
5B	Bushing, torsion tube pivot (fork width: 685 mm)	2	105TA2059				
6	Shaft pivot, torsion tube	1	121TA1048				
7	Elastic pin	3	121TA1049				
8	Push/pull rod assembly, lift structure	2	121TA1050				
9	Elastic pin	8	121TA1063				
10	Shaft, push/pull rod non fork end	2	121TA1008				
11	Bushing, push/pull rod fork end	2	121TA1009				
12	Elastic pin	2	121TA1051				
13	Shaft, push/pull rod fork end	2	121TA1052				
14	Elastic pin	2	121TA1053				
15	Shaft, fork load wheel bracket to chassis	2	121TA1054				
16	Wheel, exit roller (auxiliary)	4	121TA1013				
17	Sealing ring (aluminium) (thickness: 1 mm)	4	121TA1055				
18	Fork, bracket load wheel	2	103TA7884				
19	Shaft/bolt load wheel	2	121TA1056				
20A	Wheel assembly, load (nylon) (single) (with bearings)	2	107TA2932				
20B	Wheel assembly, load (polyurethane) (nylon rim) (single)	2	121TA1057				
21	Shim (plastic) (thickness: 2,55 mm)	8	105TA2322				
22	Ball bearing	4	121TA1058				
23	Wheel, entry roller	2	121TA1020				
24	Nut, nylon	2	121TA1059				
25	Shaft/bolt, entry roller	2	121TA1060				
26	Bushing	4	121TA1023				
27A	Wheel assembly, load (nylon) (tandem) (stainless steel bearings)	4	121TA1061				
27B	Wheel assembly, load (polyurethane) (nylon rim) (tandem) (with bearings)	4	108TA8543				
28	Grease nipple	5	121TA1064				



TRPI0001 (01/01/2016-)

HYDRAULIC UNIT TOTALLIFTER TRPI0001 (01/01/2016-)





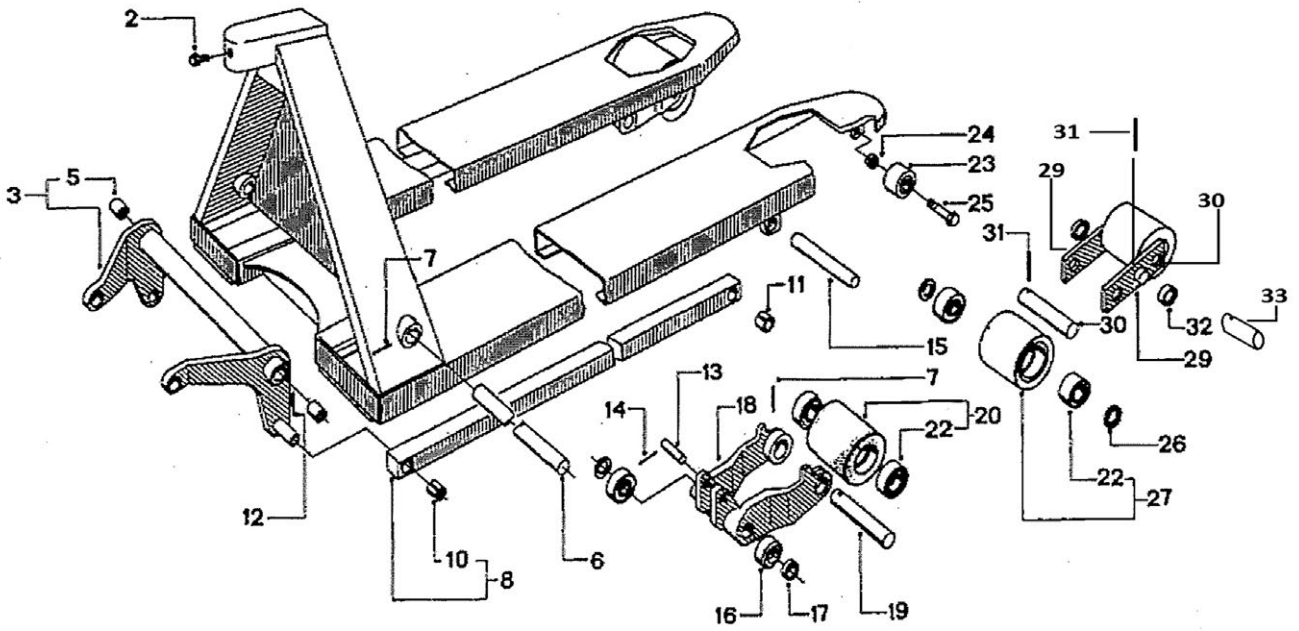
HYDRAULIC UNIT TOTALLIFTER TRPI0001 (01/01/2016-)

Nr	Description	Qty	REF	Nr	Description	Qty	REF
1	Hydraulic unit	1	151TA3223	38	Valve release, hydraulic unit	1	151TA3226
2A	Screw (slotted)	1	145TA8899	39	O-ring	2	144TA9152
2B	Lock washer (special) (305/M10)	1	145TA8900	41	O-ring	2	144TA9153
3	Circlip	1	144TA9106	42	Chamber and spring	1	144TA9154
4	Lip seal	1	145TA8902	43	Bearing, hydraulic unit pivot	1	145TA8922
5	Bushing	1	144TA9109	44	Thrust plate, hydraulic pump unit mounting	1	151TA3227
6	Piston, lift cylinder pallet truck	1	145TA8903	45	Circlip	1	151TA3228
7	Steel ball (diameter: 120 mm)	1	144TA9460	46	Axle neck	2	151TA3229
8	Steel ball (diameter: 2,54 mm)	1	144TA9112	47	Elastic pin	2	145TA8926
9	Body, hydraulic pump unit piston	1	151TA3224	48	Handle assembly	1	151TA3216
11	O-ring	1	144TA9115	50	Bushing, handle pivot	2	151TA3217
12	Wiper ring (rubber)	1	144TA9116	51	Roller, control handle pump	1	151TA3218
13	O-ring	1	144TA9117	52	Pin, control handle pump roller	1	145TA8930
14	Body, hydraulic pump unit piston (with pump piston)	1	151TA3253	53	Lever lowering, tiller	1	151TA3219
15	Body, hydraulic pump unit piston (with seals)	1	151TA3254	54	Elastic pin	1	151TA3220
16	Cap, control handle pivot return spring	1	145TA8911	55	Rod complete, lowering	1	151TA3221
17	Lip seal	1	144TA9466	59	Tube	1	151TA3222
18	Oil seal	1	144TA9465	60	Nut	1	145TA8937
19	Cap, end	1	144TA9132	61	Washer (thickness: 1,5 mm)	1	145TA8938
20	Sealing ring (copper) (thickness: 2 mm)	1	144TA9133	62A	Wheel assembly, load (polyurethane)	2	151TA3014
21	Spring, control handle return torsion	1	145TA8912	62B	Wheel assembly, load (rubber)	2	151TA3230
22	Shaft, handle pivot	1	145TA8913	62C	Wheel assembly, load (nylon)	2	145TA8940
23	Elastic pin	1	145TA8914	62D	Wheel assembly, load (Vulkollan®)	2	151TA3231
24	Lever lift control	1	151TA3225	64	Bearing	4	145TA8941
25	Elastic pin	1	144TA9138	65	Spacer, pivot bearing hydraulic pump unit to chassis	1	145TA8942
26	Bushing (rubber)	1	144TA9139	66	Shaft, steer wheel	1	145TA8943
27	Washer (thickness: 4,5 mm)	1	145TA8917	67	Elastic pin	1	145TA8916
28	Valve screw	1	144TA9141	68	Cap, front wheel hub	2	144TA9172
29	Lip seal	1	144TA9142	69	Elastic pin	2	151TA3232
30	Actuator pin	1	144TA9143	70	Bushing (without collar)	2	145TA8945
31	Seal	1	144TA9144	71	Kit seal, hydraulic unit	1	151TA3233
32	Collar screw	1	145TA8918				
33	Bonded seal	2	144TA9146				
34	Spring (valve)	1	144TA9147				
35	Steel ball (diameter: 80 mm)	1	144TA9148				
36	Collar screw	1	145TA8920				
37	Steel ball (diameter: 90 mm)	2	144TA9150				



TRPI0001 (01/01/2016-)

MAIN FRAME TOTALLIFTER TRPI0001 (01/01/2016-)





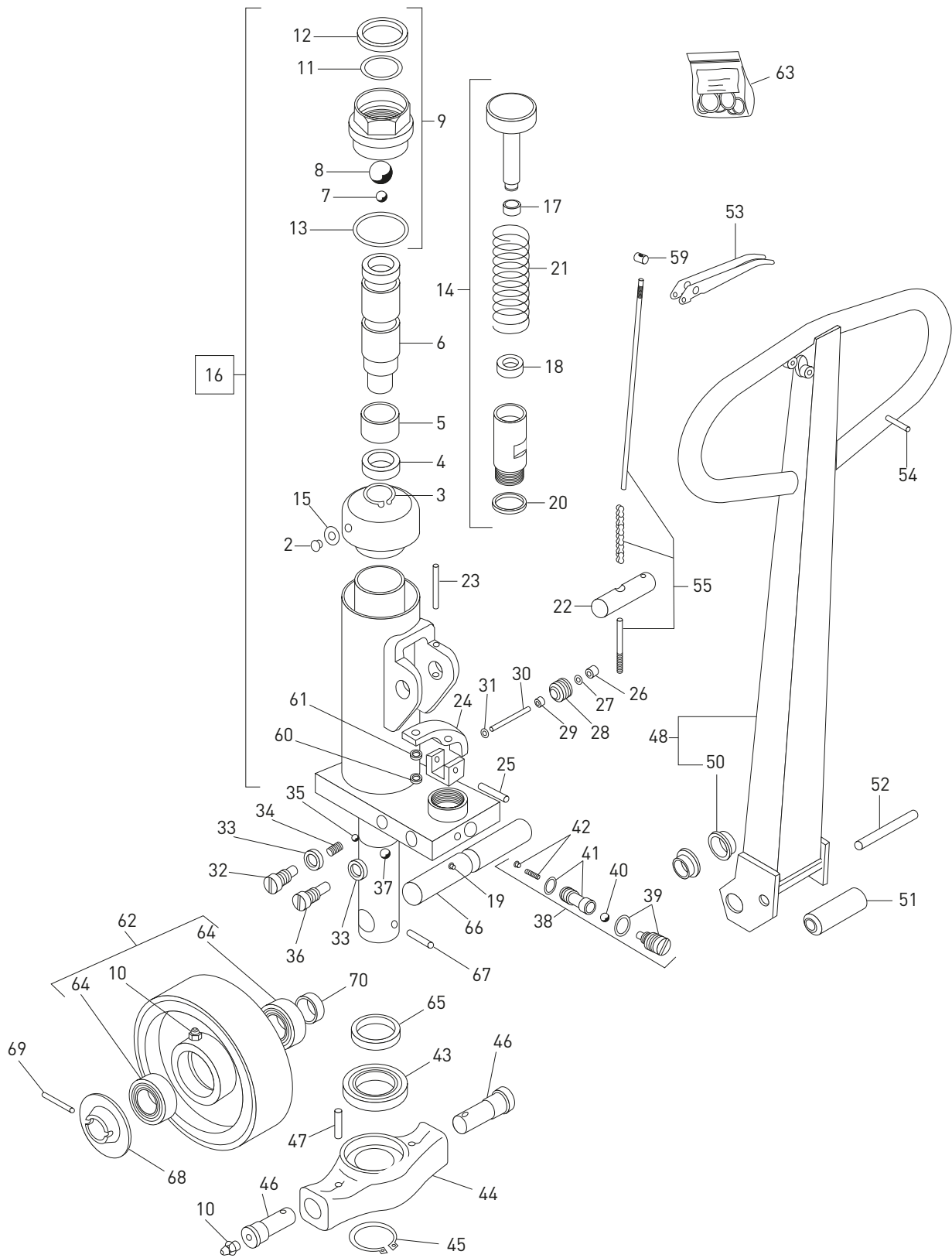
MAIN FRAME TOTALLIFTER TRPI0001 (01/01/2016-)

Nr	Description	Qty	REF	Nr	Description	Qty	REF
2	Screw	1	145TA8949	32	Shaft, center, fork load wheel	8	151TA3249
3A	Torsion tube (fork width: 520 mm)	1	151TA3251	33	Shaft/bolt load wheel	4	151TA3250
3B	Torsion tube (fork width: 685 mm)	2	151TA3255				
5A	Bushing, torsion tube pivot (fork width: 520 mm)	2	151TA3234				
5B	Bushing, torsion tube pivot (fork width: 685 mm)	2	151TA3235				
6A	Shaft pivot, torsion tube (fork width: 520 mm)	1	145TA8952				
6B	Shaft pivot, torsion tube (fork width: 685 mm)	1	145TA8953				
7	Elastic pin	3	145TA8954				
8	Push/pull rod assembly, lift structure	2	151TA3256				
10	Shaft, push/pull rod non fork end	2	151TA3236				
11	Bushing, push/pull rod fork end	2	151TA3237				
12	Elastic pin	2	151TA3238				
13	Shaft, push/pull rod fork end	2	151TA3239				
14	Elastic pin	2	145TA8932				
15	Axle	2	151TA3240				
16	Wheel, exit roller (auxiliary)	4	151TA3241				
17	Washer (thickness: 1 mm)	4	144TA9186				
18	Fork, bracket load wheel	2	151TA3242				
19	Axle	2	151TA3257				
20A	Wheel assembly, load (nylon)	2	151TA3243				
20B	Wheel assembly, load (polyurethane)	2	151TA3244				
20C	Wheel assembly, load (Vulkollan®)	2	151TA3258				
22	Ball bearing (single)	4 or 8	151TA3259				
23	Wheel, entry roller	2	145TA8965				
24	Lock nut	2	145TA8966				
25	Shaft/bolt, entry roller	2	145TA8967				
26	Shim (plastic) (thickness: 2,55 mm)	4	151TA3245				
27A	Wheel assembly, load (nylon)	4	147TA4707				
27B	Wheel assembly, load (polyurethane)	4	151TA3246				
27C	Wheel assembly, load (Vulkollan®)	4	151TA3260				
29	Fork, load wheel	2	151TA3247				
30	Fork, load wheel	2	151TA3248				
31	Elastic pin	4	145TA8972				



TRPI0003 (-31/12/2015)

HYDRAULIC UNIT TOTALLIFTER TRPI0003 (-31/12/2015)





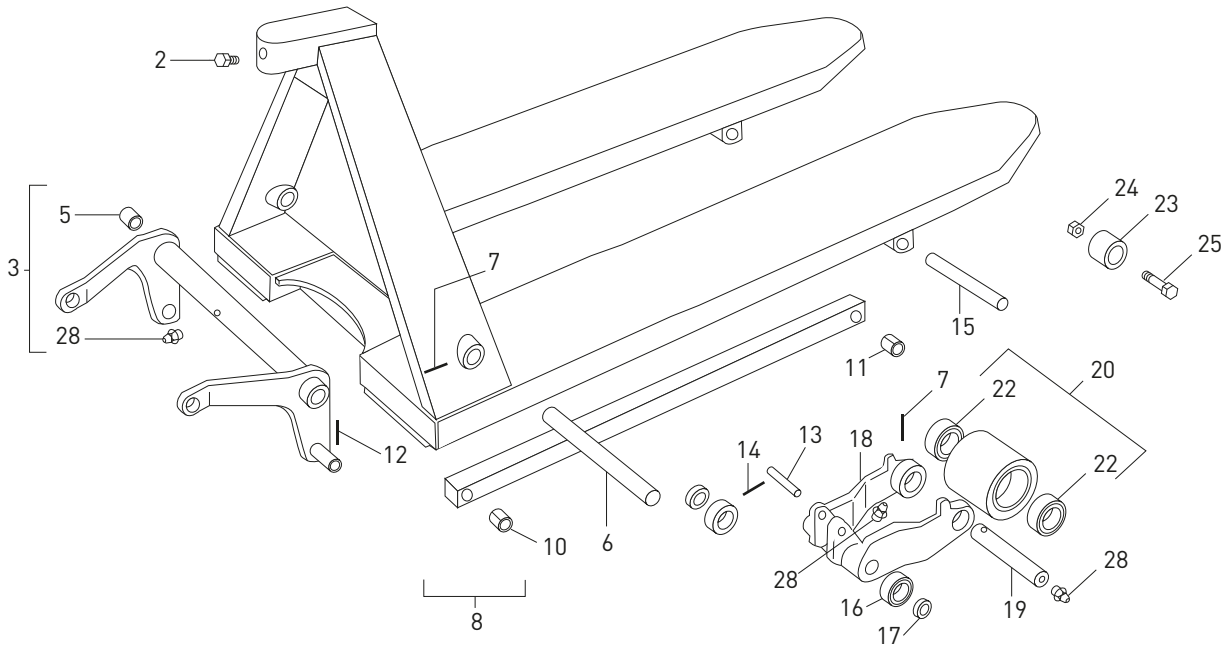
HYDRAULIC UNIT TOTALLIFTER TRPI0003 (-31/12/2015)

Nr	Description	Qty	REF	Nr	Description	Qty	REF
2	Plug/screw	1	121TA1066	42	Seat, spring (with spring)	1	120TA9968
3	Circlip	1	120TA9932	43	Bearing, hydraulic unit pivot	1	120TA9969
4	Lip seal	1	120TA9933	44	Thrust plate, hydraulic pump unit mounting	1	121TA1079
5	Bushing	1	120TA9934	45	Circlip	1	121TA1080
6	Piston, lift cylinder pallet truck	1	121TA1067	46	Axle	2	121TA1081
7	Steel ball	1	120TA9936	47	Lock pin	2	121TA1082
8	Steel ball	1	120TA9937	48	Handle assembly	1	121TA1083
9	Body, hydraulic pump unit piston	1	121TA1068	50	Bushing, handle pivot	2	105TA1847
10	Grease nipple	1	121TA1064	51	Roller, control handle pump	1	120TA9977
11	O-ring	1	120TA9939	52	Lock pin	1	121TA1085
12	Wiper ring (rubber)	1	120TA9940	53	Lever lowering, tiller	1	121TA1086
13	O-ring	1	120TA9941	54	Elastic pin	1	121TA1053
14	Cylinder, pump (complete with pump piston)	1	121TA1069	55	Rod complete, lowering	1	121TA1087
15	Bonded seal	1	121TA1100	59	Nut	1	121TA1091
16	Hydraulic unit	1	121TA1101	60	Nut	1	123TA8535
17	Lip seal	1	120TA9944	61	Washer (thickness: 1,5 mm)	1	121TA1093
18	Oil seal	1	120TA9945	62A	Wheel assembly, steer (polyurethane) (nylon rim)	2	121TA1094
19	Shaft, steer wheel	1	120TA9946	62B	Wheel assembly, steer (nylon)	2	121TA1095
20	Washer (copper) (thickness: 2 mm)	1	105TA1245	63	Kit seal, hydraulic unit	1	107TA7001
21	Spring, control handle return torsion	1	121TA1070	64	Ball bearing	4	107TA3181
22	Shaft, handle pivot	1	121TA1071	65	Turning	1	120TA9991
23	Lock pin	1	121TA1072	66	Front axle	1	121TA1097
24	Lever lift control	1	121TA1073	67	Elastic pin	1	121TA1098
25	Lock pin	1	121TA1074	68	Stop (collar)	2	120TA9994
26	Bushing (rubber)	1	120TA9952	69	Elastic pin	2	121TA1099
27	Washer (thickness: 4,5 mm)	1	121TA1075	70	Bushing (without collar)	2	105TA2313
28	Valve screw	1	120TA9954				
29	Lip seal	1	120TA9955				
30	Pin, release	1	120TA9956				
31	O-ring (4,47 x 1,78 mm)	1	120TA9957				
32	Bolt (stepped)	1	121TA1076				
33	Bonded seal	2	120TA9959				
34	Spring	1	120TA9960				
35	Steel ball	1	120TA9961				
36	Bolt	1	121TA1077				
37	Steel ball	1	120TA9963				
38	Valve release, hydraulic unit	1	121TA1078				
39	O-ring	2	120TA9965				
40	Steel ball	1	120TA9966				
41	O-ring	2	120TA9967				



TRPI0003 (-31/12/2015)

MAIN FRAME TOTALLIFTER TRPI0003 (-31/12/2015)





MAIN FRAME TOTALLIFTER TRPI0003 (-31/12/2015)

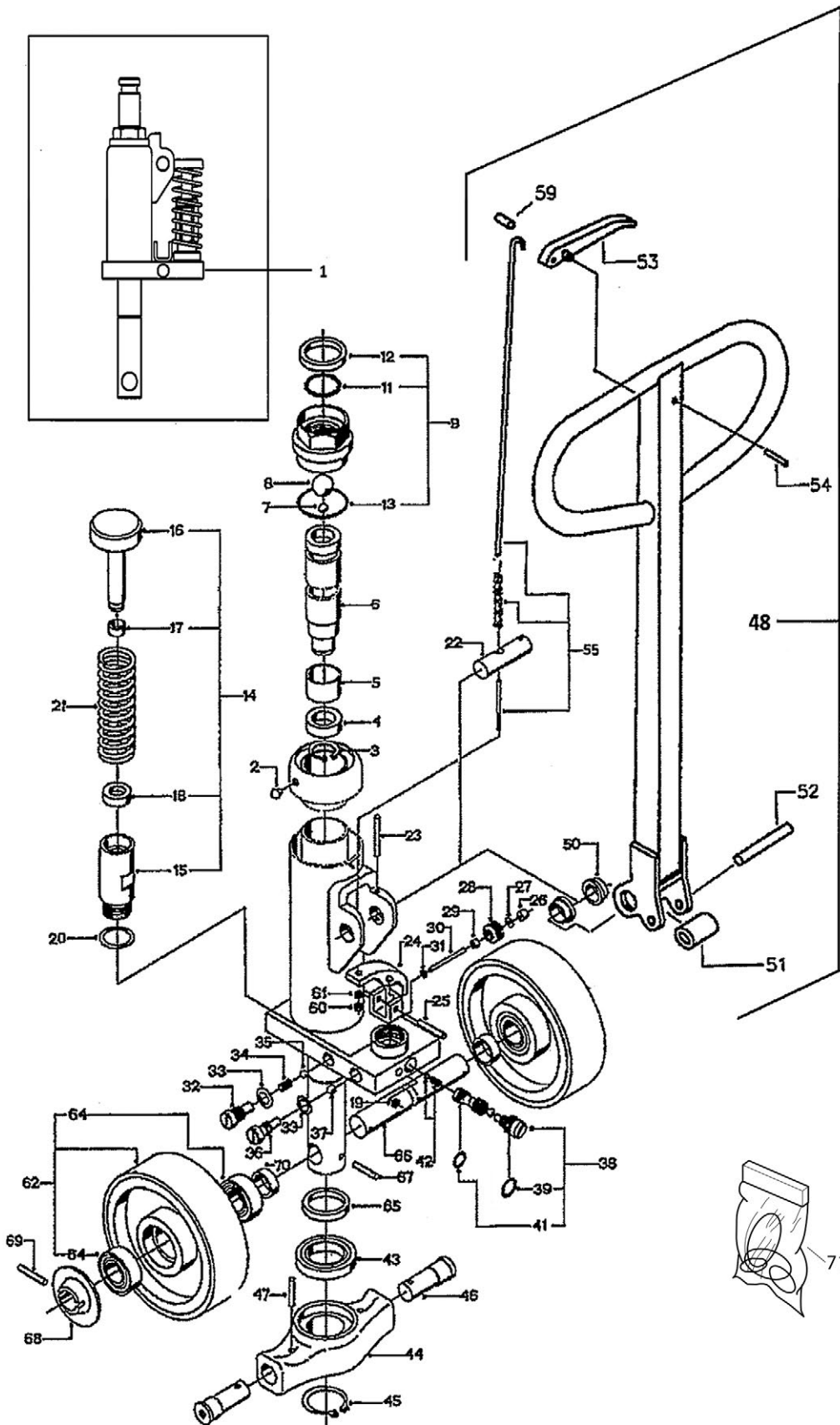
Nr	Description	Qty	REF	Nr	Description	Qty	REF
2	Screw	1	121TA1045				
3A	Torsion tube (frame width: 685 mm) (with bushings)	1	121TA1046				
3B	Torsion tube (for frame width: 520 mm)	1	121TA1047				
5A	Bushing, torsion tube pivot (for frame width: 685 mm)	2	121TA1000				
5B	Bushing, torsion tube pivot (frame width: 520 mm)	2	105TA2059				
6	Shaft pivot, torsion tube	1	121TA1048				
7	Elastic pin (toothed)	1	147TA3917				
8	Push/pull rod assembly, lift structure	2	121TA1050				
10	Bushing, push/pull rod fork end	2	121TA1008				
11	Bushing, push/pull rod non fork end	2	121TA1009				
12	Lock pin	2	121TA1051				
13	Shaft, push/pull rod fork end	2	121TA1052				
14	Elastic pin	2	121TA1053				
15	Shaft, fork load wheel bracket to chassis	2	121TA1054				
16	Wheel, exit roller (auxiliary)	4	121TA1013				
17	Sealing ring (aluminium)	4	121TA1055				
18	Fork, bracket load wheel	2	103TA7884				
19	Shaft/bolt load wheel	2	121TA1056				
20A	Wheel assembly, load (nylon) (single) (with bearings)	2	107TA2932				
20B	Wheel assembly, load (polyurethane) (nylon rim) (single)	2	121TA1057				
24	Nut	2	121TA1059				
25	Spacer, entry roller	2	121TA1060				

TRPI0003 (-31/12/2015)



TRPI0003 (01/01/2016-)

HYDRAULIC UNIT TOTALLIFTER TRPI0003 (01/01/2016-)





HYDRAULIC UNIT TOTALLIFTER TRPI0003 (01/01/2016-)

Nr	Description	Qty	REF
1	Hydraulic unit	1	151TA3223
2	Screw (slotted)	1	145TA8899
2	Lock washer (special) (305/M10)	1	145TA8900
3	Circlip	1	144TA9106
4	Lip seal	1	145TA8902
5	Bushing	1	144TA9109
6	Piston, lift cylinder pallet truck	1	145TA8903
7	Steel ball (diameter: 120 mm)	1	144TA9460
8	Steel ball (diameter: 2,54 mm)	1	144TA9112
9	Body, hydraulic pump unit piston	1	151TA3224
11	O-ring	1	144TA9115
12	Wiper ring (rubber)	1	144TA9116
13	O-ring	1	144TA9117
14	Body, hydraulic pump unit piston (with pump piston)	1	151TA3253
15	Body, hydraulic pump unit piston (with seals)	1	151TA3254
16	Hydraulic unit	1	145TA8911
17	Lip seal	1	144TA9466
18	Oil seal	1	144TA9465
19	Cap, end	1	144TA9132
20	Sealing ring (copper) (thickness: 2 mm)	1	144TA9133
21	Spring, control handle return torsion	1	145TA8912
22	Shaft, handle pivot	1	145TA8913
23	Elastic pin	1	145TA8914
24	Lever lift control	1	151TA3225
25	Elastic pin	1	144TA9138
26	Bushing (rubber)	1	144TA9139
27	Washer (thickness: 4,5 mm)	1	145TA8917
28	Valve screw	1	144TA9141
29	Lip seal	1	144TA9142
30	Actuator pin	1	144TA9143
31	Seal	1	144TA9144
32	Collar screw	1	145TA8918
33	Bonded seal	2	144TA9146
34	Spring (valve)	1	144TA9147
35	Steel ball (diameter: 80 mm)	1	144TA9148
36	Collar screw	1	145TA8920
37	Steel ball (diameter: 90 mm)	2	144TA9150

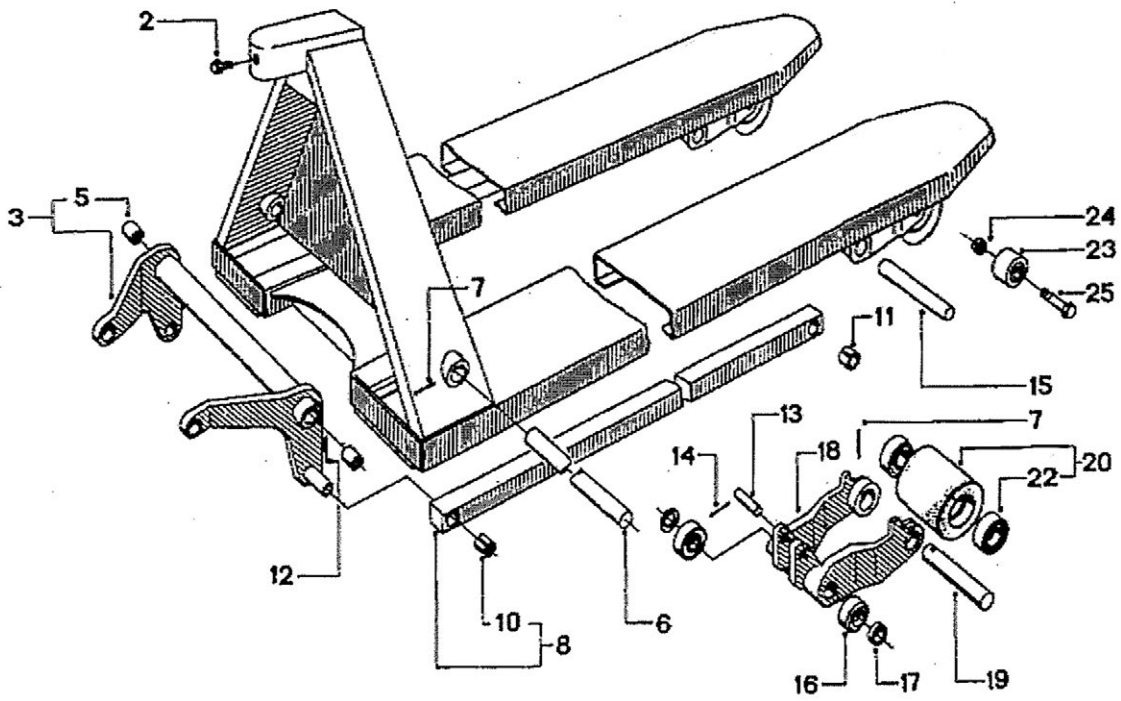
Nr	Description	Qty	REF
38	Valve release, hydraulic unit	1	151TA3226
39	O-ring	2	144TA9152
41	O-ring	2	144TA9153
42	Chamber and spring	1	144TA9154
43	Bearing, hydraulic unit pivot	1	145TA8922
44	Thrust plate, hydraulic pump unit mounting	1	151TA3227
45	Circlip	1	151TA3228
46	Axle neck	2	151TA3229
47	Elastic pin	2	145TA8926
48	Handle assembly	1	151TA3216
50	Bushing, handle pivot	2	151TA3217
51	Roller, control handle pump	1	151TA3218
52	Pin, control handle pump roller	1	145TA8930
53	Lever, release	1	151TA3219
54	Elastic pin	1	151TA3220
55	Rod complete, lowering	1	151TA3221
59	Tube	1	151TA3222
60	Nut	1	145TA8937
61	Washer (thickness: 1,5 mm)	1	145TA8938
62A	Wheel assembly, steer (polyurethane)	2	151TA3014
62B	Wheel assembly, steer (rubber)	2	151TA3230
62C	Wheel assembly, steer (nylon)	2	145TA8940
62D	Wheel assembly, steer (Vulkollan®)	2	151TA3231
64	Bearing	4	145TA8941
65	Spacer, pivot bearing hydraulic pump unit to chassis	1	145TA8942
66	Shaft, steer wheel	1	145TA8943
67	Elastic pin	1	145TA8916
68	Cap, front wheel hub	2	144TA9172
69	Elastic pin	2	151TA3232
70	Bushing (without collar)	2	145TA8945
71	Kit seal, hydraulic unit	1	151TA3233

TRPI0003 (01/01/2016-)



TRPI0003 (01/01/2016-)

MAIN FRAME TOTALLIFTER TRPI0003 (01/01/2016-)





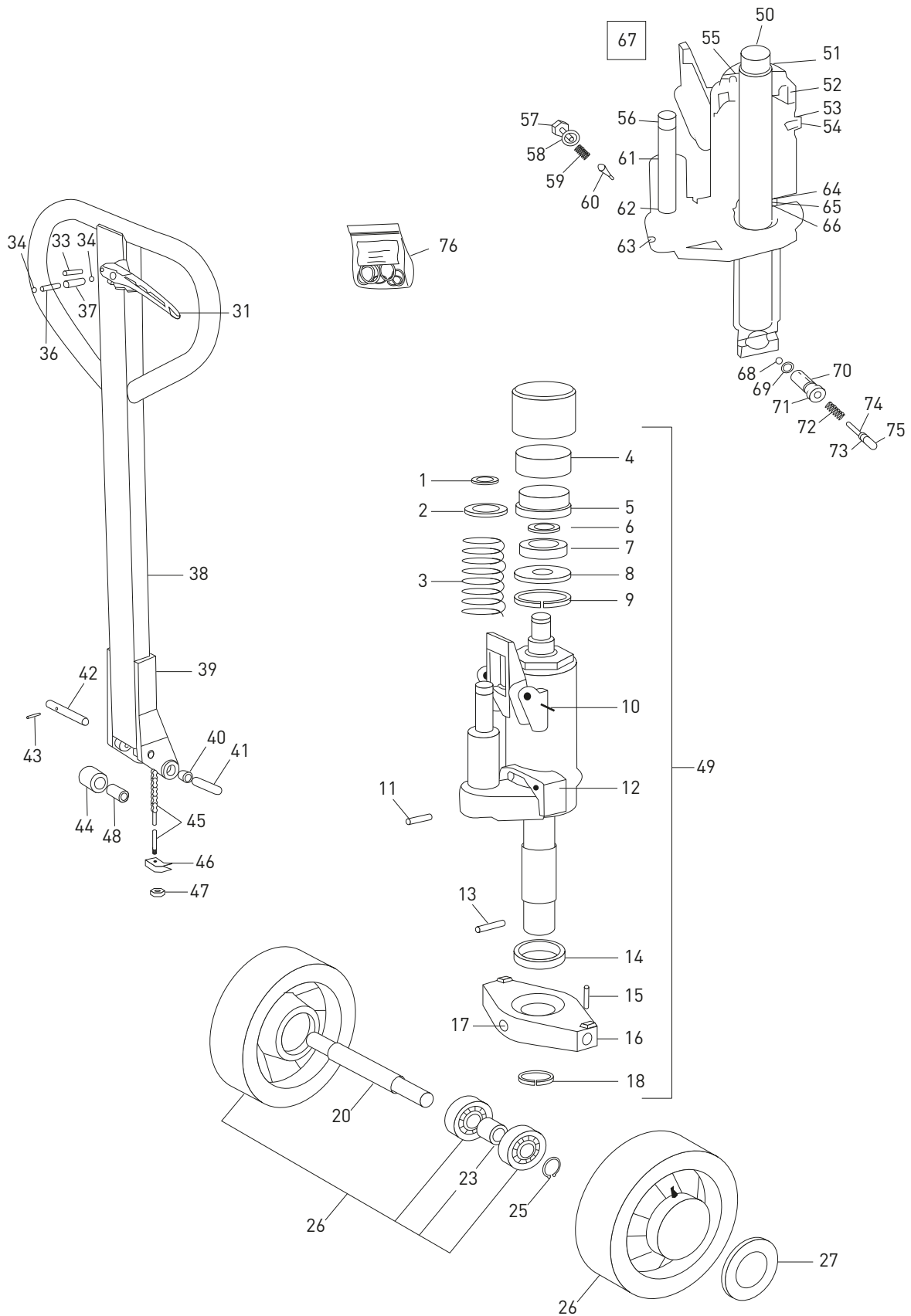
MAIN FRAME TOTALLIFTER TRPI0003 (01/01/2016-)

Nr	Description	Qty	REF	Nr	Description	Qty	REF
2	Screw	1	145TA8949				
3A	Torsion tube (fork width: 520 mm)	1	151TA3251				
3B	Torsion tube (fork width: 685 mm)	2	151TA3255				
5A	Bushing, torsion tube pivot (fork width: 520 mm)	2	151TA3234				
5B	Bushing, torsion tube pivot (fork width: 685 mm)	2	151TA3235				
6A	Shaft pivot, torsion tube (fork width: 520 mm)	1	145TA8952				
6B	Shaft pivot, torsion tube (fork width: 685 mm)	1	145TA8953				
7	Elastic pin	3	145TA8954				
8	Push/pull rod assembly, lift structure	2	151TA3256				
10	Shaft, push/pull rod non fork end	2	151TA3236				
11	Bushing, push/pull rod fork end	2	151TA3237				
12	Elastic pin	2	151TA3238				
13	Shaft, push/pull rod fork end	2	151TA3239				
14	Elastic pin	2	145TA8932				
15	Shaft, fork load wheel bracket to chassis	2	151TA3240				
16	Wheel, exit roller (auxiliary)	4	151TA3241				
17	Washer (thickness: 1 mm)	4	144TA9186				
18	Fork, bracket load wheel	2	151TA3242				
19	Shaft/bolt load wheel	2	151TA3257				
20A	Wheel assembly, load (nylon)	2	151TA3243				
20B	Wheel assembly, load (polyurethane)	2	151TA3244				
20C	Wheel assembly, load (Vulkollan®)	2	151TA3258				
22	Ball bearing	4	151TA3259				
23	Wheel, entry roller	2	145TA8965				
24	Lock nut	2	145TA8966				
25	Shaft/bolt, entry roller	2	145TA8967				

TRPI0003 (01/01/2016-)



HYDRAULIC UNIT TOYOTA HT20





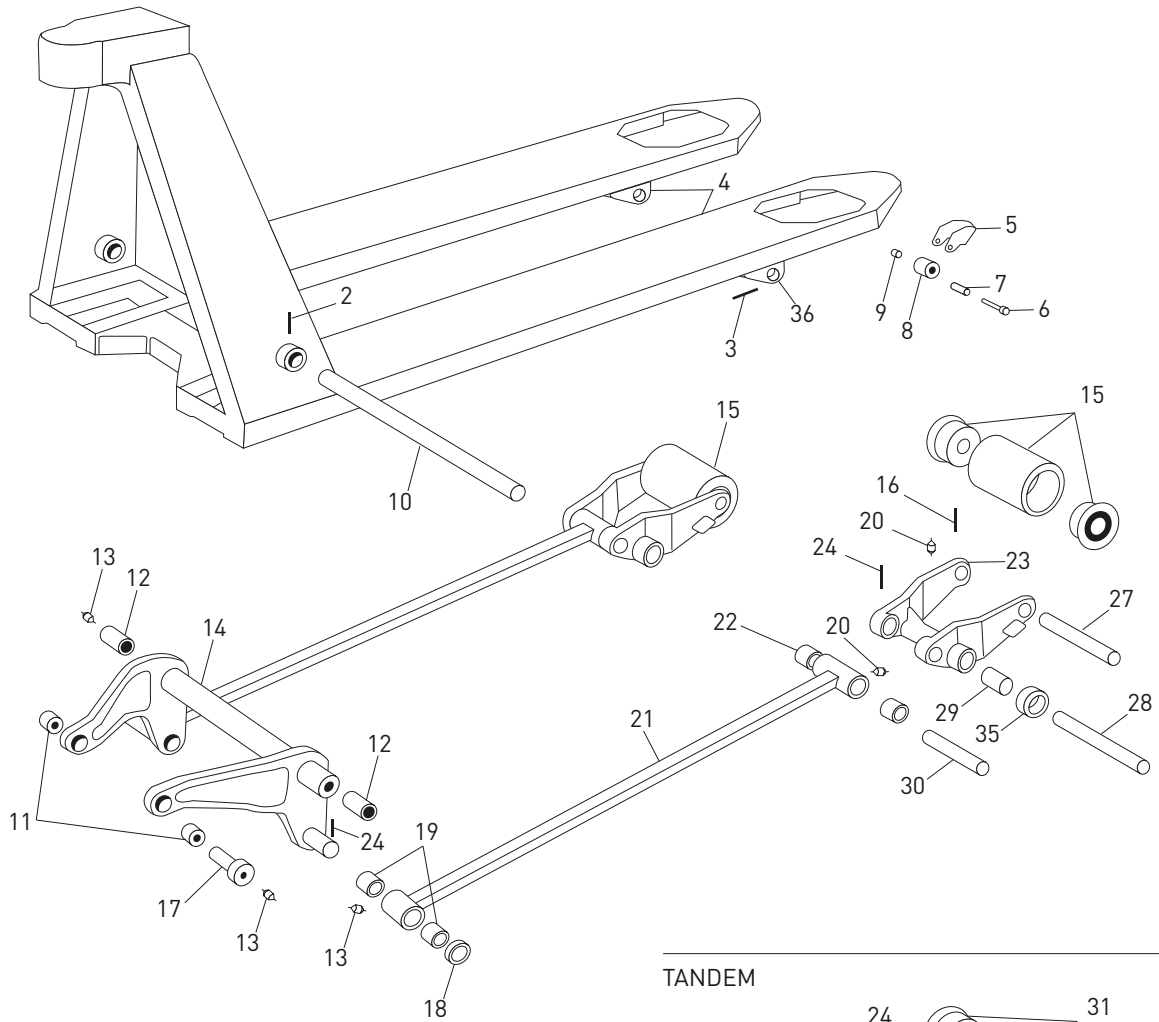
HYDRAULIC UNIT TOYOTA HT20

Nr	Description	Qty	REF	Nr	Description	Qty	REF
1	Circlip	1	124TA9117	43	Lock pin	1	123TA6144
2	Cap, control handle pivot return spring	1	124TA9118	44	Roller, control handle pump	1	107TA6621
3	Spring, control handle return torsion	1	124TA9119	45	Rod complete, lowering	1	107TA6622
4	Insert	1	107TA6582	46	Spring	1	107TA6623
5	Housing, bearing	1	107TA6583	47	Nut	1	124TA9130
6	Circlip	1	123TA5401	48	Bushing, control handle pump roller	1	107TA6625
7	Ball bearing	1	124TA9120	49	Hydraulic unit	1	107TA6626
8	Washer (nylon) (thickness: 3 mm)	1	107TA6586	50	Piston, lift cylinder pallet truck	1	107TA6627
9	Circlip	1	124TA9121	51	Oil seal	1	124TA9131
10	Lock pin	1	124TA9122	52	O-ring	1	124TA9132
11	Lock pin	1	124TA9123	53	Washer (synthetic) (thickness: 4 mm)	1	107TA6630
12	Lever lift control	1	107TA6590	54	Screw	1	107TA6631
13	Lock pin	1	124TA9123	55	Body, hydraulic pump unit piston	1	107TA6628
14	Bearing, hydraulic unit pivot	1	106TA6779	56	Piston, hydraulic pump unit	1	124TA9133
15	Lock pin	1	124TA9124	57	Screw	1	107TA6635
16	Thrust plate, hydraulic pump unit mounting	1	106TA6781	58	Washer (copper) (thickness: 2,5 mm)	1	105TA1188
17	Grease nipple	1	107TA5542	59	Spring	1	107TA6636
18	Circlip	1	124TA9125	60	Plunger valve	1	107TA6637
20	Shaft, steer wheel	1	107TA6596	61	Oil seal	1	107TA6638
23	Bushing	2	123TA6139	62	Lip seal	1	107TA6640
25	Circlip	2	124TA9126	63	Steel ball	1	107TA5970
26A	Wheel assembly, steer (Vulkollan®)	2	107TA3102	64	Circlip	1	124TA9134
26B	Wheel assembly, steer (rubber)	2	107TA6601	65	Turning (bronze)	1	124TA9135
26C	Wheel assembly, steer (nylon)	2	107TA6605	66	Lip seal	1	124TA9136
26D	Wheel assembly, steer (polyurethane) (nylon rim)	2	107TA6606	68	Steel ball	1	107TA5970
26E	Wheel assembly, steer (steel)	2	123TA6140	69	Washer (copper) (thickness: 1,4 mm)	1	105TA1358
27	Cap, front wheel hub	2	122TA7004	70	O-ring	1	107TA6649
31	Lever lowering, tiller	1	106TA6780	71	Valve housing	1	107TA6650
33	Lock pin	1	119TA9854	72	Spring	1	107TA6651
34	Steel ball	2	107TA5970	73	Lip seal	1	124TA9137
36	Spring	1	107TA6614	74	Guide, spring	1	107TA6653
37	Bushing (without collar)	1	105TA1799	75	Plunger, valve	1	106TA7043
38	Bracket, tiller arm	1	124TA9127	76	Kit seal, hydraulic unit	1	107TA6576
39	Handle assembly	1	124TA9128				
40	Bushing, handle pivot	2	124TA9129				
41	Axle	2	107TA6618				
42	Pin, control handle pump roller	1	107TA6619				

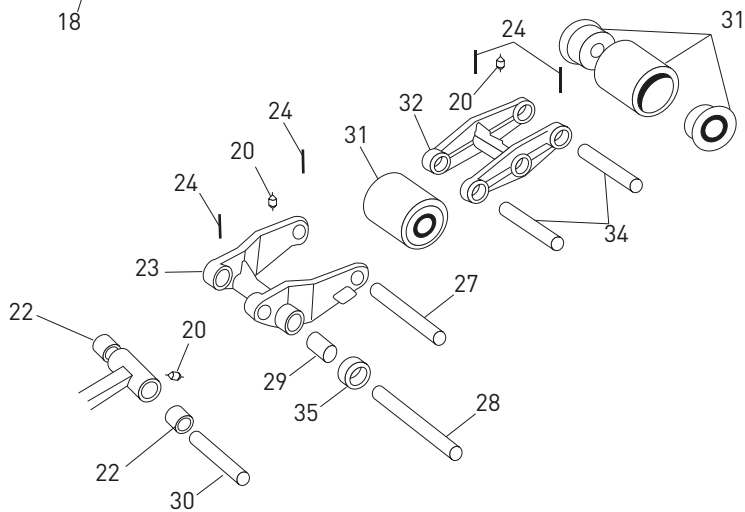


HT20

MAIN FRAME TOYOTA HT20



TANDEM

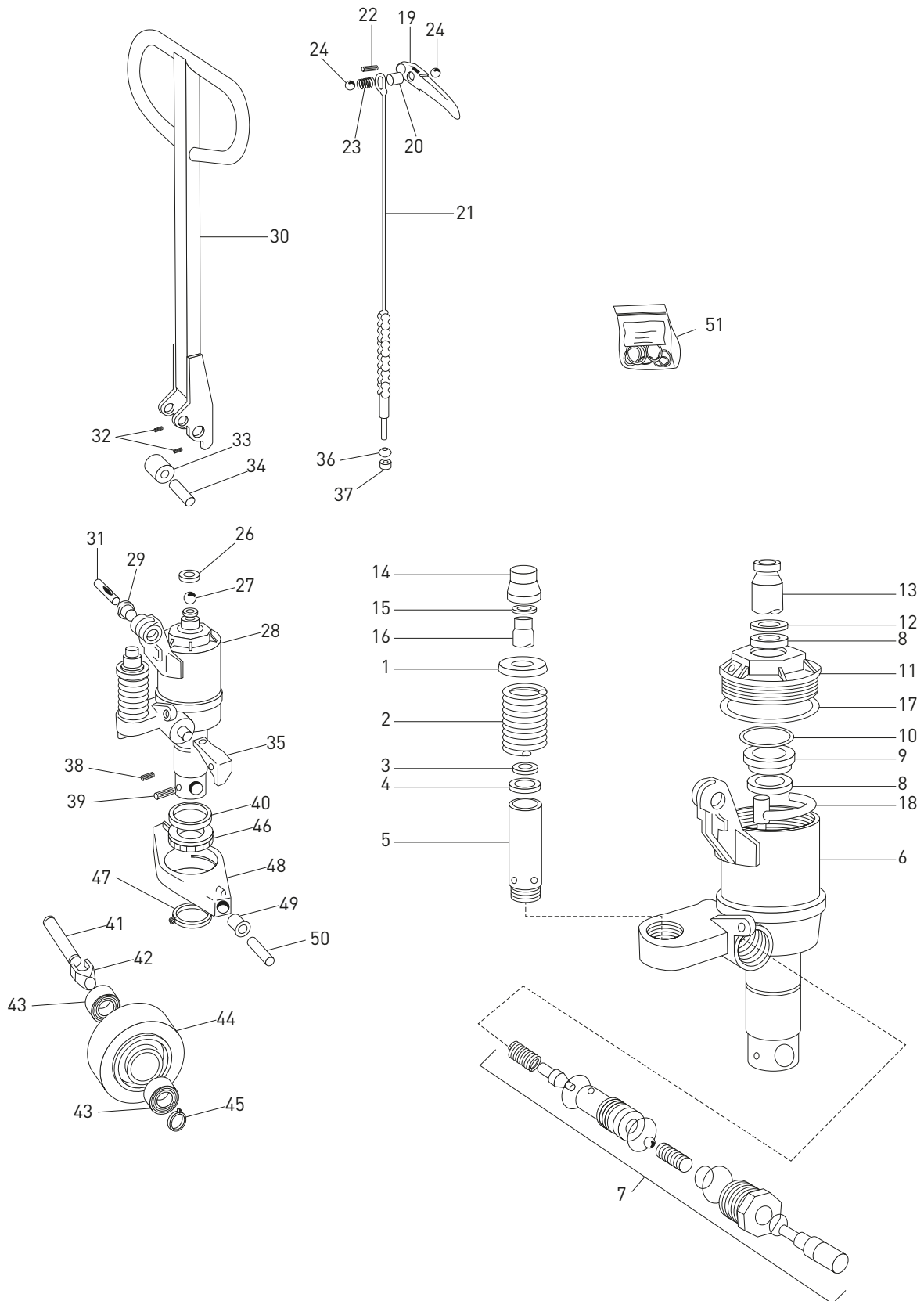


MAIN FRAME TOYOTA HT20

Nr	Description	Qty	REF	Nr	Description	Qty	REF
2	Lock pin	1	124TA9124	23	Fork, bracket load wheel	2	106TA7393
3	Lock pin	4	124TA9138	24	Lock pin	4	124TA9124
4	Ear	2	107TA6657	27	Shaft/bolt load wheel	2	107TA6677
5	Bracket	2	107TA6658	28	Shaft, fork load wheel bracket to chassis	4	107TA6679
6	Shaft/bolt, entry roller	2	124TA9139	29	Wheel, exit roller	4	105TA2175
7	Spacer, entry roller	2	107TA6660	30	Shaft, push/pull rod fork end	2	107TA6681
8	Wheel, entry roller	2	107TA2891	31A	Wheel assembly, load (steel) (tandem)	4	123TA6149
9	Nut	2	119TA9868	31B	Wheel assembly, load (Vulkollan®) (tandem)	4	107TA2788
10	Shaft pivot, torsion tube	1	107TA6662	31C	Wheel assembly, load (nylon) (tandem)	4	107TA2936
11	Bushing, torsion tube to thrust plate	2	105TA1924	31D	Wheel assembly, load (polyurethane) (nylon rim) (tandem)	4	107TA6683
12	Bushing, torsion tube pivot	2	105TA2177	32	Fork, load wheel	2	103TA7692
13	Grease nipple	5	107TA5542	34	Shaft/bolt load wheel	4	106TA7044
14	Torsion tube	1	107TA6663	35	Wheel, exit roller	4	106TA7045
15A	Wheel assembly, load (Vulkollan®) (single)	2	107TA6668	36	Ear	2	124TA9144
15B	Wheel assembly, load (steel) (single)	2	107TA6666				
15C	Wheel assembly, load (nylon) (single)	2	107TA2928				
15D	Wheel assembly, load (polyurethane) (nylon rim) (single)	2	107TA6667				
16	Lock pin	2	124TA9140				
17	Shaft, torsion tube to thrust plate	2	123TA6148				
18	Washer (thickness: 4,2 mm)	2	122TA9074				
19	Bushing, push/pull rod non fork end	4	107TA6671				
20	Grease nipple	8	107TA5542				
21A	Push/pull rod assembly, lift structure (fork length: 800 mm)	2	124TA9141				
21B	Push/pull rod assembly, lift structure (fork length: 910 mm)	2	124TA9142				
21C	Push/pull rod assembly, lift structure (fork length: 1000 mm)	2	107TA6672				
21D	Push/pull rod assembly, lift structure (fork length: 1070 mm)	2	107TA6673				
21E	Push/pull rod assembly, lift structure (fork length: 1150 mm)	2	105TA4604				
21F	Push/pull rod assembly, lift structure (fork length: 1220 mm)	2	107TA6674				
22	Bushing, push/pull rod fork end	4	124TA9143				



HYDRAULIC UNIT YALE HP22 EASYLIFT





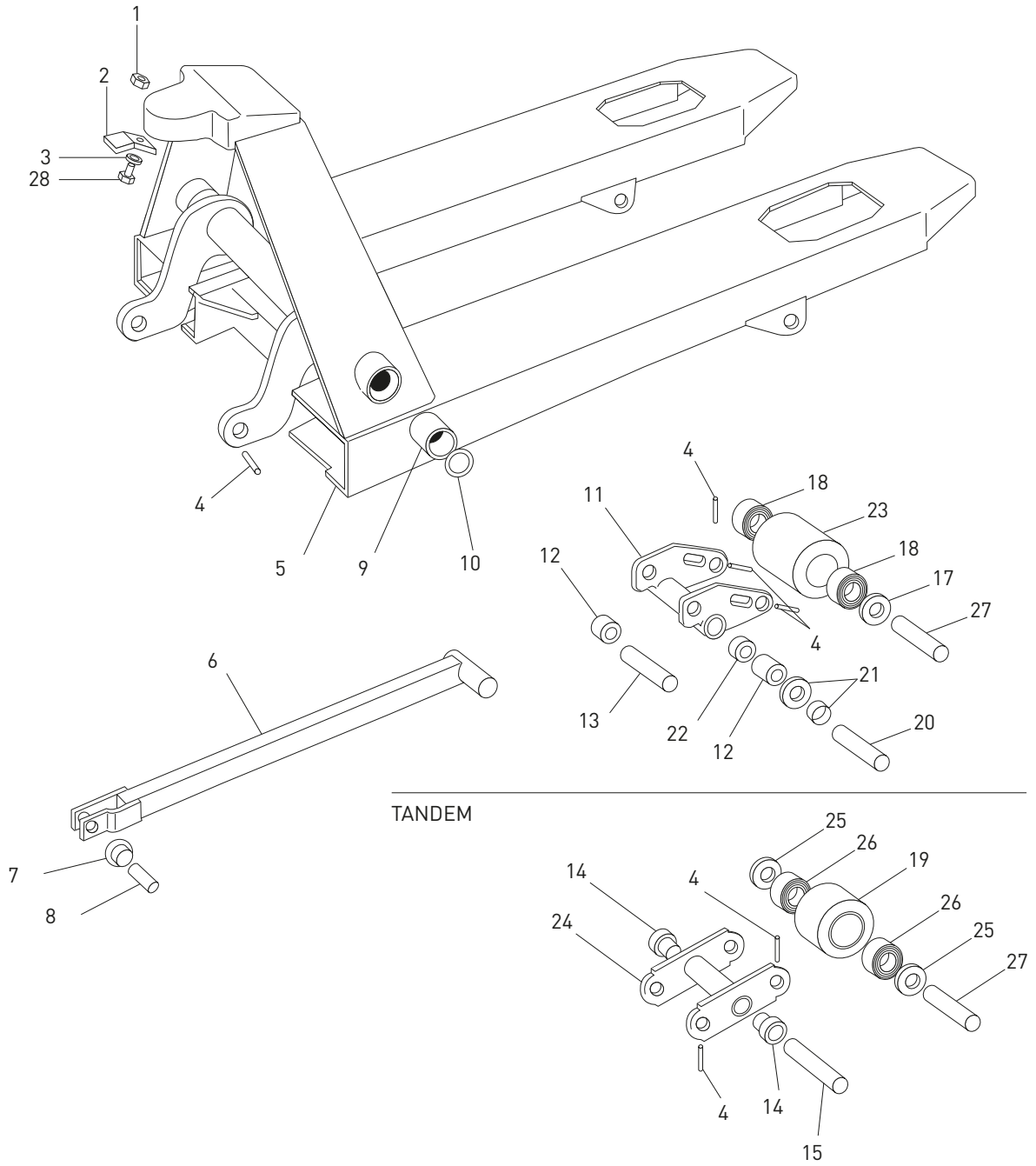
HYDRAULIC UNIT YALE HP22 EASYLIFT

Nr	Description	Qty	REF
1	Cap, control handle pivot return spring	1	124TA6774
2	Spring, control handle return torsion	1	124TA6776
3	Wiper ring (polyurethane with metal outer ring)	1	124TA6778
4	Lip seal	1	124TA6780
5	Housing, pump	1	124TA6894
6	Body, hydraulic pump unit piston	1	124TA6783
7	Valve release, hydraulic unit	2	124TA6785
8	Seal	1	124TA6787
9	Guide	1	124TA6789
10	Circlip	1	124TA6790
11	Cap, pump body	1	124TA6791
12	Wiper ring (polyurethane)	1	124TA6792
13	Piston, lift cylinder pallet truck	1	124TA6793
14	Bracket (roller)	1	124TA6794
15	Circlip	1	124TA6795
16	Piston, hydraulic pump unit	1	124TA6796
17	O-ring	1	124TA6797
18	Pipe	1	124TA6798
19	Lever lowering, tiller	1	124TA6799
20	Bushing	1	124TA6800
21	Rod complete, lowering	1	124TA6801
22	Elastic pin	1	124TA6802
23	Spring	1	124TA6803
24	Steel ball	2	124TA6804
26	Washer (thickness: 6 mm)	1	124TA6805
27	Steel ball, lift cylinder piston pallet truck	1	124TA6806
28	Hydraulic unit	1	124TA6807
29	Bushing, handle pivot	2	124TA6808
30	Bracket, tiller arm	1	124TA6809
31	Shaft, handle pivot	1	124TA6810
32	Screw	2	124TA6811
33	Roller, control handle pump	1	124TA6812
34	Pin, control handle pump roller	1	124TA6813
35	Lever lift control	1	124TA6814
36	Ball joint	1	124TA6815
37	Nut	1	124TA6816
38	Elastic pin	1	124TA6817
39	Elastic pin	1	124TA6818

Nr	Description	Qty	REF
40	Spacer, pivot bearing hydraulic pump unit to chassis	1	124TA6819
41	Shaft, steer wheel	1	124TA6820
42	Wheel spacer	2	124TA6821
43	Ball bearing	4	124TA6822
44A	Wheel assembly, steer (rubber)	2	124TA6823
44B	Wheel assembly, steer (polyurethane)	2	124TA6824
44C	Wheel assembly, steer (nylon)	2	124TA6775
45	Circlip	2	124TA6777
46	Bearing, hydraulic unit pivot	1	124TA6779
47	Circlip	1	124TA6781
48	Thrust plate, hydraulic pump unit mounting	1	124TA6782
49	Bushing, torsion tube to thrust plate	2	124TA6784
50	Shaft, torsion tube to thrust plate	2	124TA6786
51	Kit seal, hydraulic unit	1	124TA6788



MAIN FRAME YALE HP22 EASYLIFT



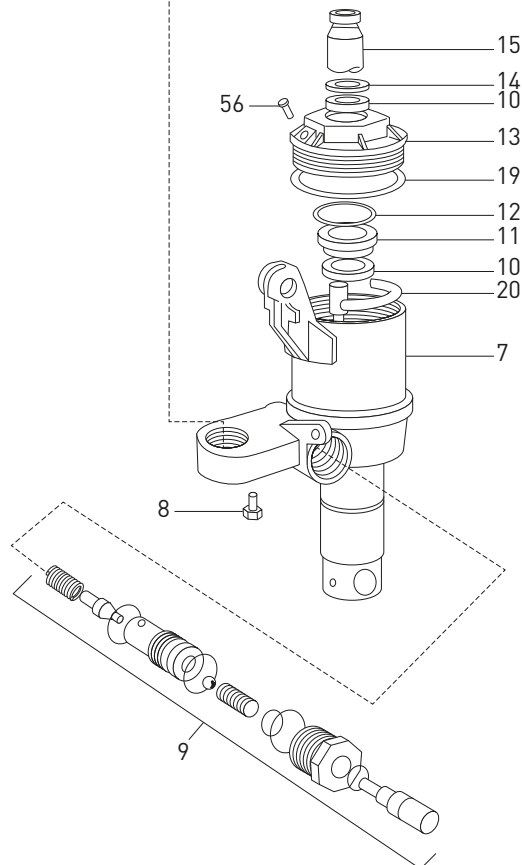
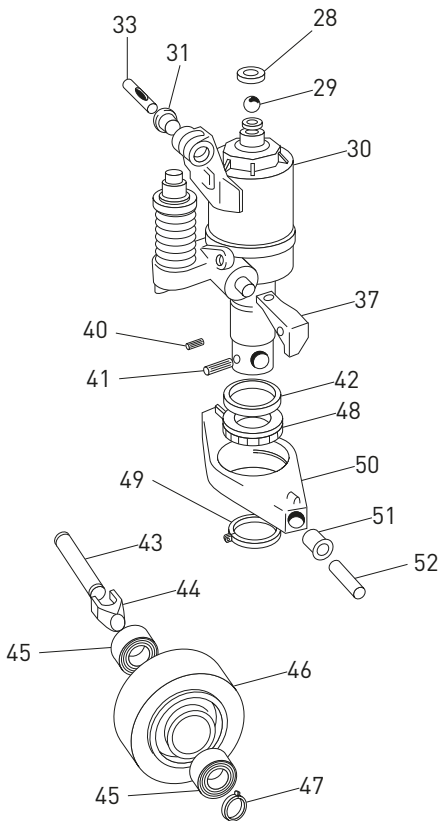
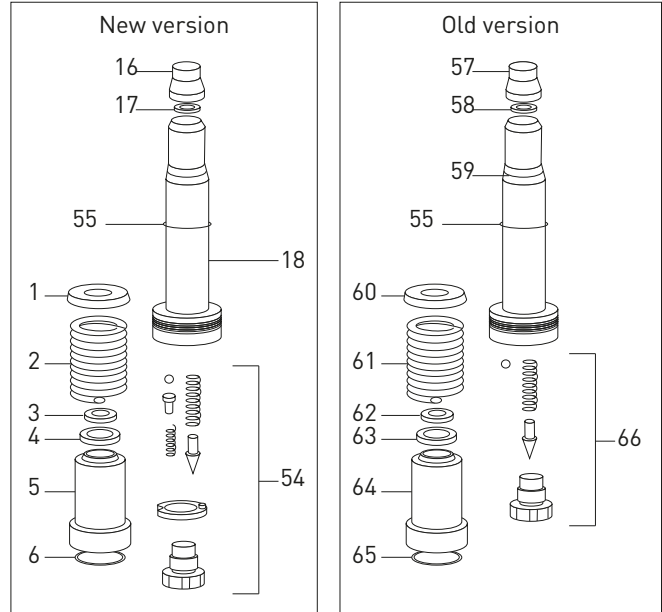
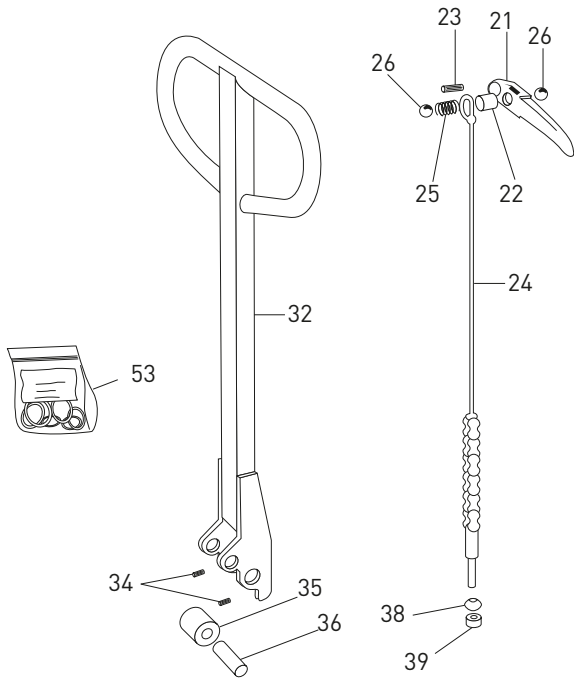


MAIN FRAME YALE HP22 EASYLIFT

Nr	Description	Qty	REF	Nr	Description	Qty	REF
1	Nut	2	124TA6825	22	Bushing (without collar)	2	105TA2401
2	Bracket	1	124TA6827	23A	Wheel assembly, load (polyurethane) (single)	2	124TA6866
3	Lock washer	2	124TA6829	23B	Wheel assembly, load (nylon) (single)	2	124TA6867
4	Elastic pin	10	124TA6831	23C	Wheel assembly, load (polyurethane) (single)	2	124TA6868
6A	Push/pull rod, lift structure (fork length: 950 mm)	2	124TA6842	24	Fork, load wheel	2	124TA6869
6B	Push/pull rod, lift structure (fork length: 1200 mm)	2	124TA6843	25	Washer (thickness: 0,6 mm)	8	124TA6826
6C	Push/pull rod, lift structure (fork length: 600 mm)	2	124TA6844	26	Ball bearing	8	124TA6828
6D	Push/pull rod, lift structure (fork length: 800 mm)	2	124TA6845	27	Shaft/bolt load wheel (single)	2	124TA6830
6E	Push/pull rod, lift structure (fork length: 1300 mm)	2	124TA6846	28	Bolt (M16) (total length: 20,2 mm)	2	124TA6832
6F	Push/pull rod, lift structure (fork length: 1500 mm)	2	124TA6847				
6G	Push/pull rod, lift structure (fork length: 1800 mm)	2	124TA6848				
6H	Push/pull rod, lift structure (fork length: 2000 mm)	2	124TA6849				
6I	Push/pull rod, lift structure (fork length: 2500 mm)	2	124TA6850				
7	Valve release, hydraulic unit	4	124TA6808				
8	Shaft, push/pull rod non fork end	2	124TA6851				
9	Bushing	2	124TA6852				
10	Circlip	2	124TA6853				
11	Fork, bracket load wheel	2	124TA6854				
12	Bushing, fork load wheel bracket to push/pull rod	8	124TA6855				
13	Shaft, push/pull rod fork end	2	124TA6856				
14	Bushing, load wheel tandem pivot	4	124TA6857				
15	Shaft, center, fork load wheel	2	124TA6830				
16	Shaft/bolt load wheel (tandem)	4	124TA6858				
17	Washer (thickness: 6 mm)	4	124TA6859				
18	Ball bearing	4	124TA6860				
19A	Wheel assembly, load (nylon) (tandem)	4	124TA6861				
19B	Shaft/bolt load wheel (polyurethane) (tandem)	4	124TA6862				
19C	Wheel assembly, load (polyurethane) (tandem) (without bearings)	4	124TA6863				
20	Shaft, fork load wheel bracket to chassis	2	124TA6864				
21	Bushing	4	124TA6865				



HYDRAULIC UNIT YALE HP22 QUICKLIFT





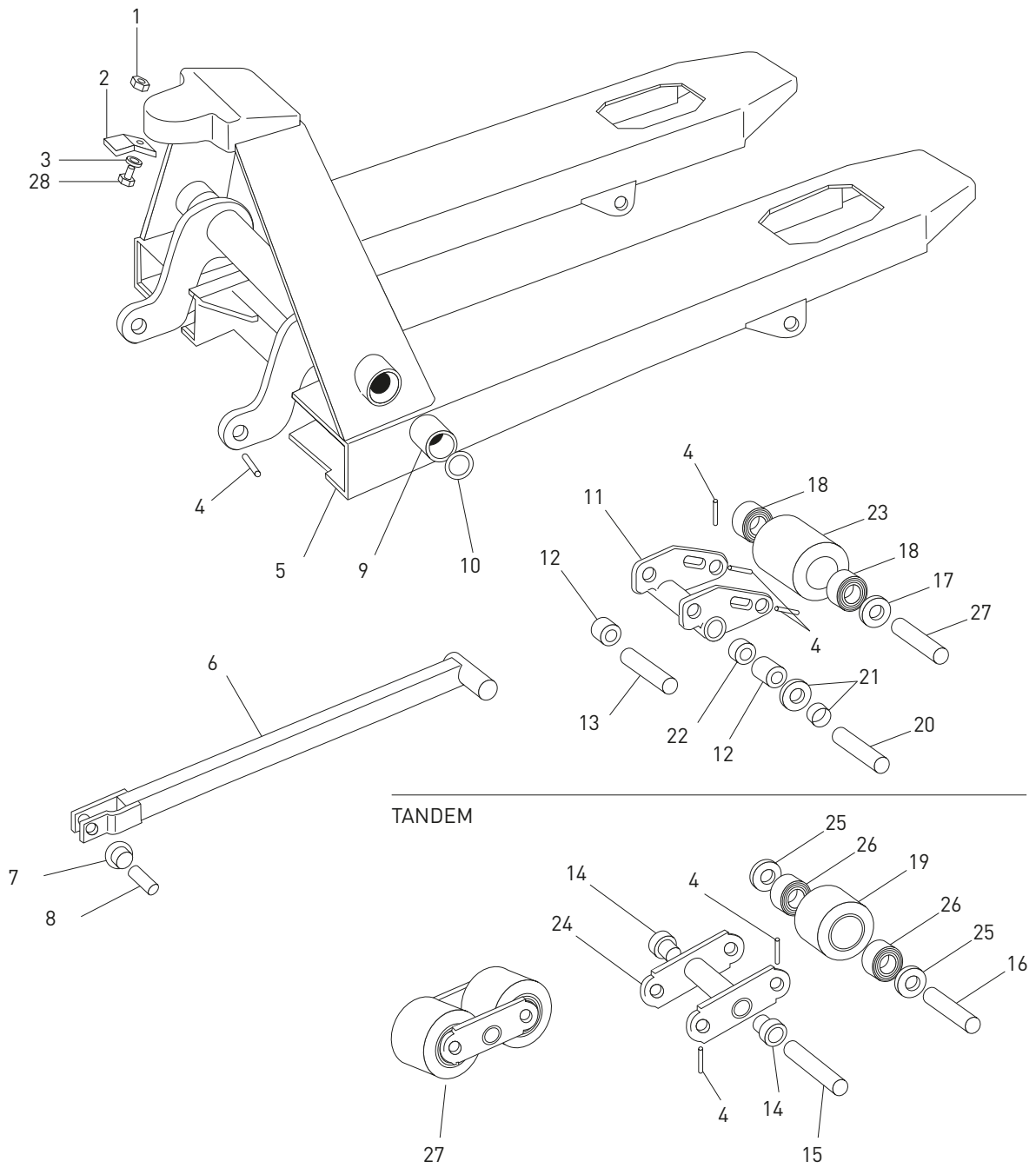
HYDRAULIC UNIT YALE HP22 QUICKLIFT

Nr	Description	Qty	REF
1	Cap, control handle pivot return spring	1	124TA6870
2	Spring, control handle return torsion	1	124TA6871
3	Wiper ring (polyurethane with metal outer ring)	1	124TA6778
4	Lip seal	1	124TA6780
5	Body, hydraulic pump unit piston	1	124TA6872
6	O-ring	1	124TA6873
7	Housing, pump	1	124TA6874
8	Screw	4	124TA6875
9	Valve release, hydraulic unit	1	124TA6876
10	Seal	2	124TA6787
11	Guide	1	124TA6789
12	Circlip	1	124TA6790
13	Cap, pump body	1	124TA6791
14	Wiper ring (polyurethane)	1	124TA6792
15	Piston, lift cylinder pallet truck	1	124TA6793
16	Bracket (roller)	1	124TA6794
17	Circlip	1	124TA6795
18	Piston, hydraulic pump unit	1	124TA6880
19	O-ring	1	124TA6797
20	Pipe	1	124TA6798
21	Lever lowering, tiller	1	124TA6799
22	Bushing	1	124TA6800
23	Elastic pin	1	124TA6802
24	Rod complete, lowering	1	124TA6801
25	Spring	1	124TA6803
26	Steel ball	2	124TA6804
28	Washer (thickness: 6 mm)	1	124TA6805
29	Steel ball, lift cylinder piston pallet truck	1	124TA6806
30	Hydraulic unit	1	124TA6881
31	Bushing, handle pivot	2	124TA6808
32	Bracket, tiller arm	1	124TA6809
33	Shaft, handle pivot	1	124TA6810
34	Screw	2	124TA6811
35	Roller, control handle pump	1	124TA6812
36	Pin, control handle pump roller	1	124TA6813
37	Lever lift control	1	124TA6814
38	Ball joint	1	124TA6815
39	Nut	1	124TA6816
40	Elastic pin	1	124TA6817

Nr	Description	Qty	REF
41	Axle	1	124TA6882
42	Spacer, pivot bearing hydraulic pump unit to chassis	1	124TA6819
43	Shaft, steer wheel	1	124TA6883
44	Wheel spacer	2	124TA6821
45	Ball bearing	4	124TA6822
46A	Wheel assembly, steer (rubber)	2	124TA6823
46B	Wheel assembly, steer (polyurethane)	2	124TA6824
46C	Wheel assembly, steer (nylon)	2	124TA6775
47	Circlip	2	124TA6777
48	Bearing, hydraulic unit pivot	1	124TA6779
49	Circlip	1	124TA6781
50	Thrust plate, hydraulic pump unit mounting	1	124TA6782
51	Bushing, torsion tube to thrust plate	2	124TA6784
52	Shaft, torsion tube to thrust plate	2	124TA6786
53	Kit seal, hydraulic unit	1	107TA7044
54	Valve release, hydraulic unit	1	124TA6877
55	O-ring	1	124TA6878
56	Capscrew	1	124TA6879
57	Bracket (roller)	1	124TA8720
58	Circlip	1	124TA6795
59	Piston, hydraulic pump unit	1	124TA6880
60	Washer (steel) (thickness: 2 mm)	1	124TA6870
61	Spring	1	124TA6871
62	Wiper ring (polyurethane with metal outer ring)	1	124TA6778
63	Lip seal	1	124TA6780
64	Body, hydraulic pump unit piston	1	124TA6872
65	O-ring	1	124TA6873
66	Valve release, hydraulic unit	1	124TA6877



MAIN FRAME YALE HP22 QUICKLIFT



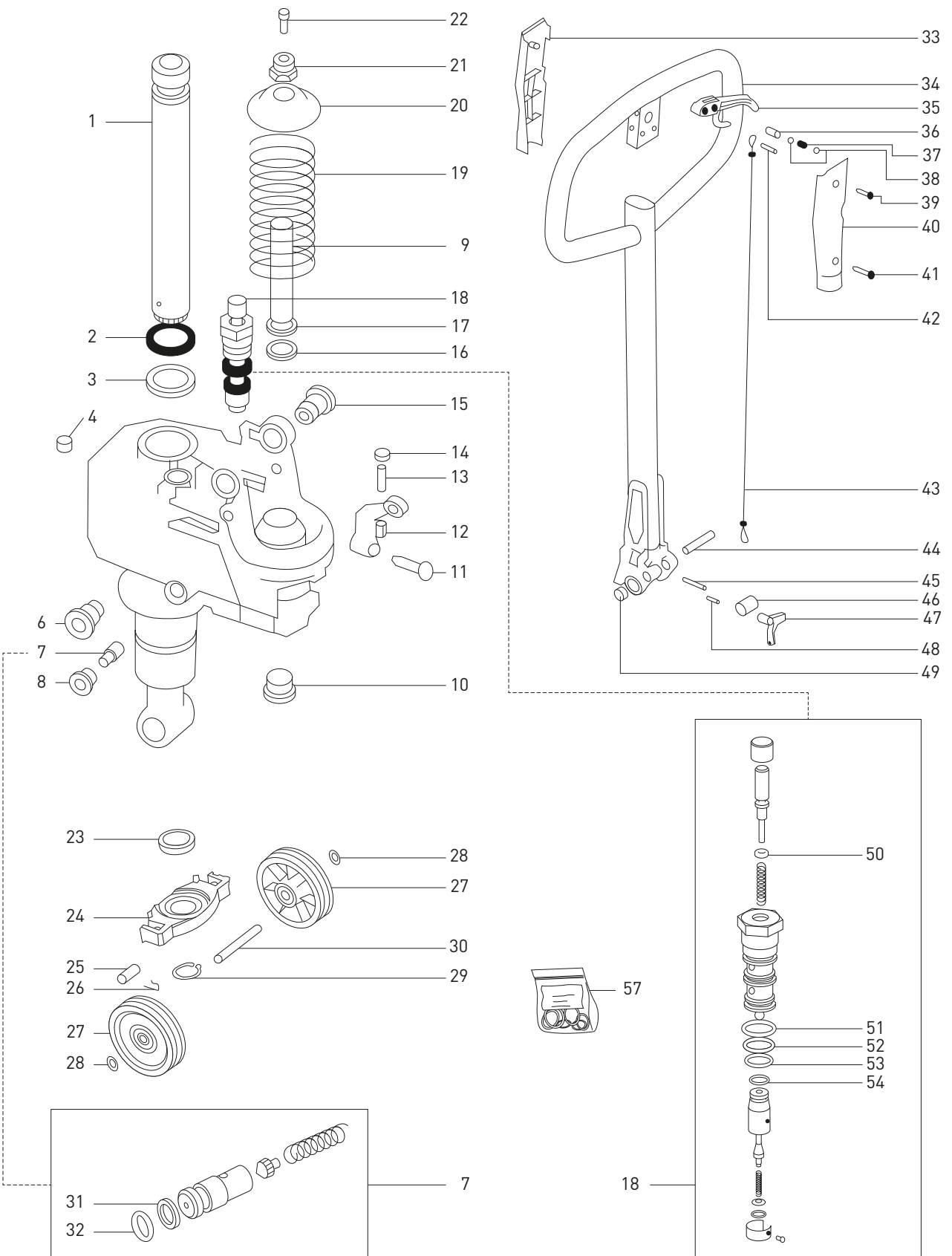


MAIN FRAME YALE HP22 QUICKLIFT

Nr	Description	Qty	REF	Nr	Description	Qty	REF
1	Nut	2	124TA6825	21	Wheel, exit roller	4	124TA6893
2	Bracket	1	124TA6827	22	Bushing (without collar)	2	105TA2401
3	Lock washer	2	124TA6829	23A	Wheel assembly, load (polyurethane) (single)	2	124TA6866
4	Elastic pin	10	124TA6831	23B	Wheel assembly, load (nylon) (single)	2	124TA6867
6A	Push/pull rod, lift structure (fork length: 950 mm)	2	124TA6842	23C	Wheel assembly, load (polyurethane) (single)	2	124TA6868
6B	Push/pull rod, lift structure (fork length: 1120 mm)	2	124TA6843	24	Fork, load wheel	2	124TA6869
6C	Push/pull rod, lift structure (fork length: 600 mm)	2	124TA6844	25	Washer (thickness: 0,6 mm)	8	124TA6826
6D	Push/pull rod, lift structure (fork length: 800 mm)	2	124TA6845	26	Ball bearing	8	124TA6828
6E	Push/pull rod, lift structure (fork length: 1300 mm)	2	124TA6846	27	Shaft/bolt load wheel	2	124TA6830
6F	Push/pull rod, lift structure (fork length: 1500 mm)	2	124TA6847	28	Bolt (m16) (total length: 20,2 mm)	2	124TA6832
6G	Push/pull rod, lift structure (fork length: 1800 mm)	2	124TA6848				
6H	Push/pull rod, lift structure (fork length: 2000 mm)	2	124TA6849				
6I	Push/pull rod, lift structure (fork length: 2500 mm)	2	124TA6850				
7	Bushing, push/pull rod non fork end	4	124TA6808				
8	Shaft, push/pull rod non fork end	2	124TA6851				
9	Bushing, torsion tube pivot	2	124TA6852				
10	Circlip	2	124TA6853				
11	Fork, bracket load wheel	2	106TA8053				
12	Bushing, fork load wheel bracket to push/pull rod	8	124TA6855				
13	Shaft, push/pull rod fork end	2	124TA6856				
14	Bushing, load wheel tandem pivot	4	124TA6857				
15	Shaft, center, fork load wheel	2	124TA6830				
16	Shaft/bolt load wheel (tandem)	4	124TA6858				
17	Washer (thickness: 6 mm)	4	124TA6859				
18	Ball bearing	4	124TA6860				
19A	Wheel assembly, load (nylon) (tandem)	4	124TA6861				
19B	Wheel assembly, load (polyurethane) (tandem)	4	124TA6862				
19C	Wheel assembly, load (polyurethane) (tandem) (without bearings)	4	124TA6863				
20	Shaft, fork load wheel bracket to chassis	2	124TA6864				



HYDRAULIC UNIT YALE HP23 EASYLIFT





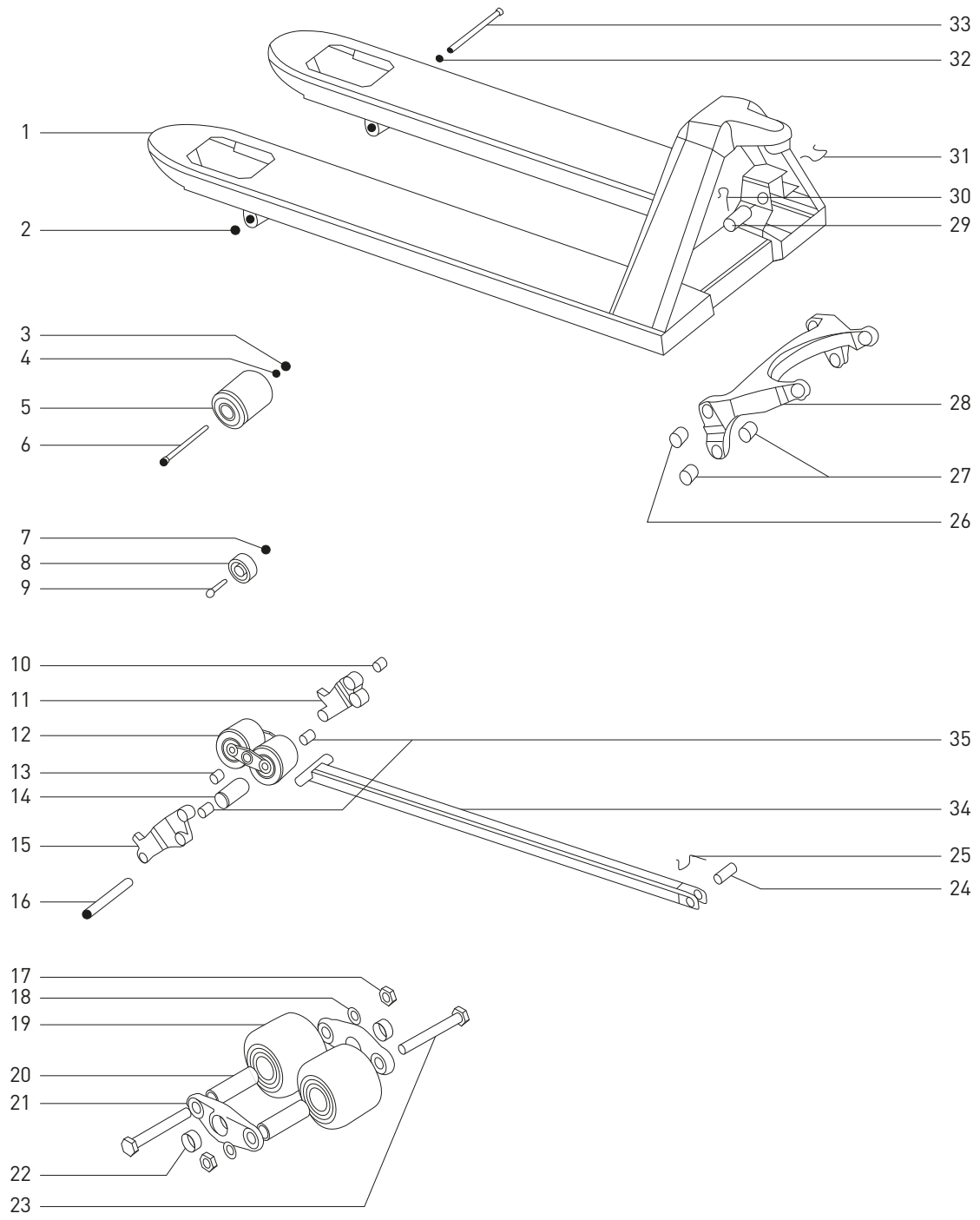
HYDRAULIC UNIT YALE HP23 EASYLIFT

Nr	Description	Qty	REF
1	Piston, lift cylinder pallet truck	1	<u>124TA8584</u>
2	Wiper ring (polyurethane)	1	<u>147TA3692</u>
3	Seal	1	<u>124TA6787</u>
4	Fill plug, hydraulic pump	1	<u>124TA8585</u>
5	Housing	1	<u>124TA8749</u>
6	Shaft, control handle pivot LH	1	<u>124TA8587</u>
7	Valve release, hydraulic unit	1	<u>124TA8588</u>
8	Screw, plug (M14)	1	<u>124TA8589</u>
9	Piston, hydraulic pump unit	1	<u>124TA8750</u>
10	Plug	1	<u>124TA8751</u>
11	Screw	1	<u>124TA8592</u>
12	Lever lift control	1	<u>124TA8593</u>
13	Screw	1	<u>124TA8594</u>
14	Nut	1	<u>124TA8595</u>
15	Shaft, control handle pivot RH	1	<u>124TA8596</u>
16	Lip seal	1	<u>124TA6780</u>
17	Wiper ring (polyurethane with metal outer ring)	1	<u>124TA6778</u>
18	Valve release, hydraulic unit	1	<u>124TA8597</u>
19	Spring, control handle return torsion	1	<u>124TA6871</u>
20	Cap, control handle pivot return spring	1	<u>124TA8598</u>
21	Bracket	1	<u>124TA8599</u>
22	Screw	1	<u>124TA8600</u>
23	Bearing, hydraulic unit pivot	1	<u>124TA8601</u>
24	Thrust plate, hydraulic pump unit mounting	1	<u>124TA8602</u>
25	Shaft, torsion tube to thrust plate	1	<u>124TA8603</u>
26	Spring	4	<u>124TA8604</u>
27A	Wheel assembly, steer (rubber)	2	<u>124TA8752</u>
27B	Wheel assembly, steer (polyurethane)	2	<u>124TA8753</u>
27C	Wheel assembly, steer (nylon)	2	<u>124TA8754</u>
28	Circlip	2	<u>147TA3693</u>
29	Circlip	1	<u>124TA8605</u>
30	Shaft, steer wheel	1	<u>124TA8606</u>
31	Backup ring	1	<u>124TA5696</u>
32	O-ring	1	<u>147TA3691</u>
33	Cover	1	<u>124TA8755</u>
34	Bracket, tiller arm	1	<u>124TA8607</u>

Nr	Description	Qty	REF
35	Lever lowering, tiller	1	<u>124TA8756</u>
36	Bushing	1	<u>124TA8608</u>
37	Spring	1	<u>124TA8609</u>
38	Ball bearing	2	<u>124TA8610</u>
39	Screw	1	<u>124TA8611</u>
40	Cover	1	<u>124TA8612</u>
41	Screw	1	<u>124TA8613</u>
42	Elastic pin	1	<u>124TA8614</u>
43	Rod complete, lowering	1	<u>124TA8036</u>
44	Pin, control handle pump roller	1	<u>124TA8037</u>
45	Elastic pin	1	<u>124TA8038</u>
46	Pin, control handle pump roller	1	<u>124TA8040</u>
47	Lever lift control	1	<u>124TA8042</u>
48	Elastic pin	1	<u>124TA8044</u>
49	Bushing, handle pivot	2	<u>124TA8046</u>
50	O-ring	1	<u>124TA5704</u>
51	O-ring	1	<u>124TA5705</u>
52	O-ring	1	<u>124TA5706</u>
53	O-ring	1	<u>124TA5707</u>
54	O-ring	1	<u>124TA5708</u>
55	Hydraulic unit	1	<u>124TA8342</u>
56	Handle assembly	1	<u>124TA8344</u>
57	Kit seal, hydraulic unit	1	<u>124TA8346</u>

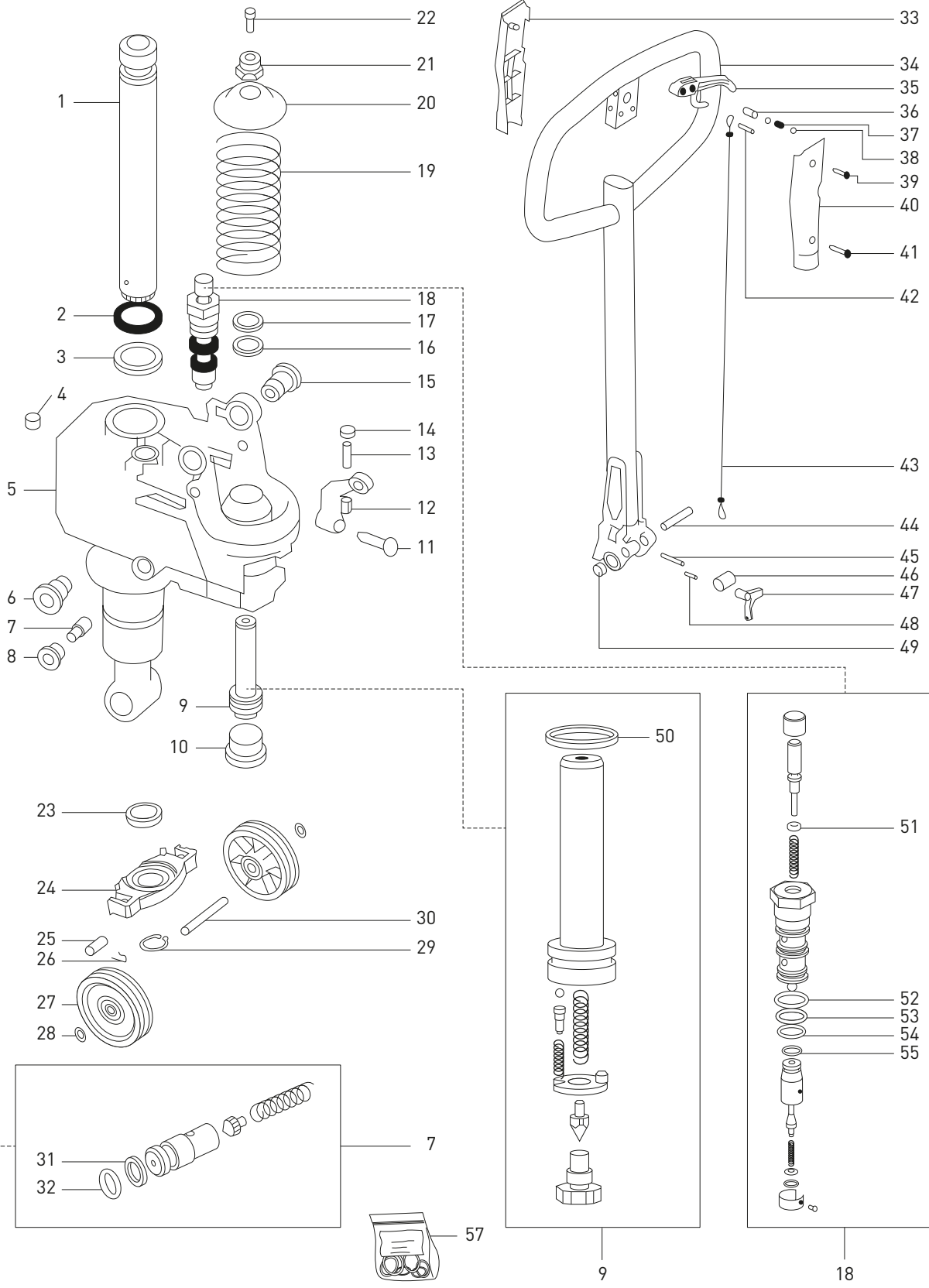


MAIN FRAME YALE HP23 EASYLIFT



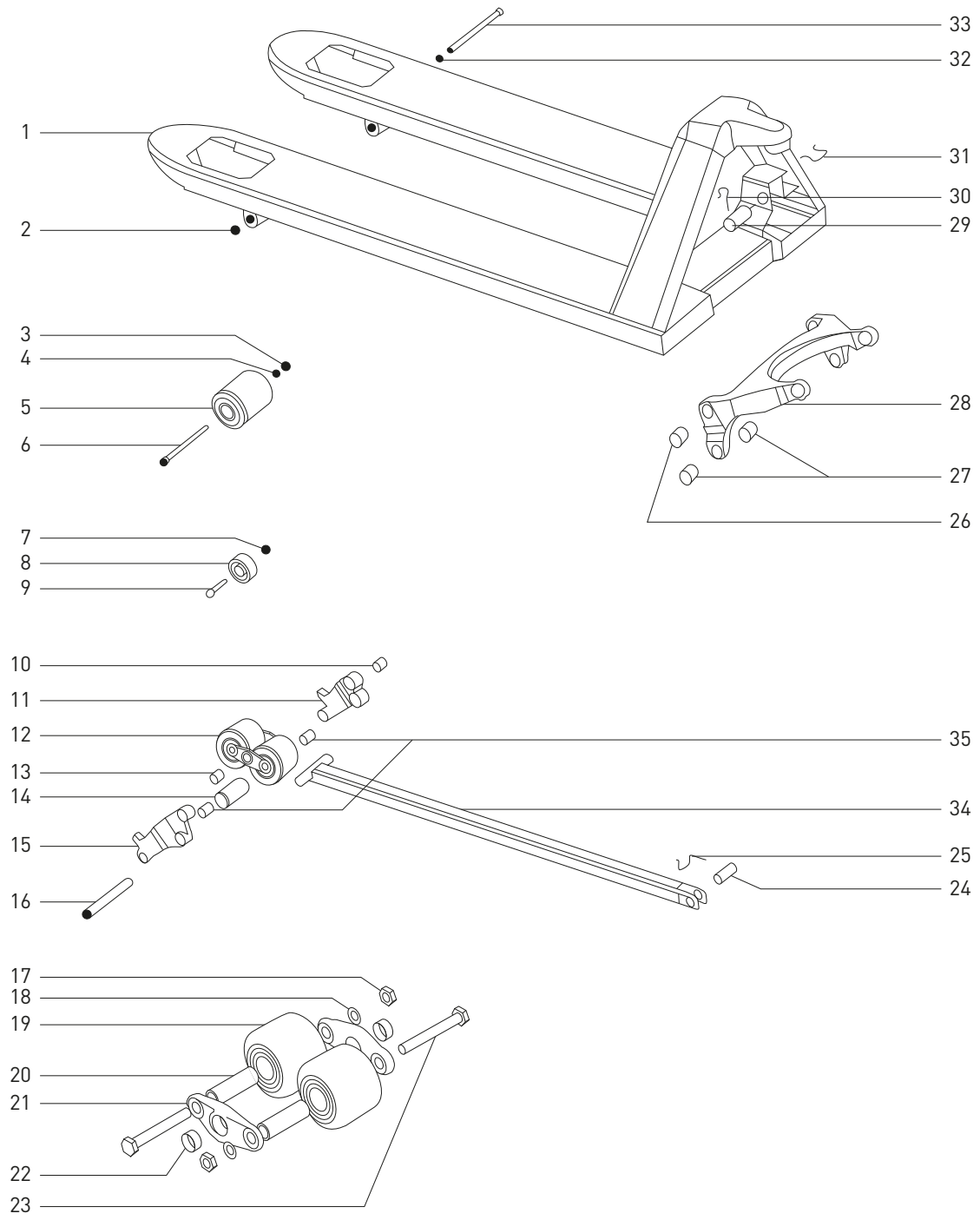


HYDRAULIC UNIT YALE HP23 QUICKLIFT





MAIN FRAME YALE HP23 QUICKLIFT





SEAL KITS FOR HYDRAULIC UNIT

Used for	REF	Used for	REF
Bolzoni TSM Easylift	119TA9900	Jungheinrich AM2200 Quick lift (from 04/2005)	128TA4730
Bolzoni TSM Quicklift	107TA6988	Kentruck SH/SHQ/SHS 2000/2500	107TA7012
Bolzoni TSM 1 Easylift	124TA5718	Linde M20 '93	107TA7020
Bolzoni TSM 1 Quicklift	124TA5710	Linde M25 '93	107TA7022
BT LHM230 (up to SN 3299999)	107TA6576	Linde M30 '93	107TA7023
BT LHM230 (from SN 3300000)	128TA4709	Little Mule (Yale) LMP Lift	124TA9070
BT LHM230 Quick (up to SN 3299999)	107TA6990	Little Mule (Yale) LMP Pump	124TA9071
BT LHM230 Quick (from SN 3300000)	128TA4721	Logitrans GL2500/3000	107TA7024
BT Lifter L23	107TA6576	Logitrans PV75/2000	107TA7024
BT Lifter L23 Quick	107TA6990	Kinglift II	107TA7011
BT Lifter L2000 7/9/10/11 (up to series 9)	107TA6575	Lansing DH18/POHP18	107TA7014
BT Lifter L2000 7/9/10/11 (from series 10)	107TA6576	MIC TM 2000	107TA6689
BT Lifter L2000 Quick 10/11	107TA6990	MIC TM 22	127TA2472
BT Lifter 3000	107TA6991	MIC TM 22 Quick	107TA7029
BT Lifter 5000	107TA6992	MIC TMX 1000	107TA7027
BT Lifter L3000	107TA6993	MIC TMXE 1000	107TA7028
BT Lifter L3000 11/12	107TA6994	MIC HPS	107TA7026
Bulli FK 2000 03/89	107TA7020	Nielsen Holst PL15/25/30 Series 33/34/35/36/37	107TA7030
Bulli FK 2500 03/89	107TA7022	Pimespo TSM	124TA9064
Bulli FK 3000 03/89	107TA7023	Pramac Lifter GS (up to 04/03)	107TA7016
Bulli FK 2000 09/92	107TA7020	Pramac Lifter GS (from 04/03)	122TA6922
Bulli FK 2500 09/92	107TA7022	Pramac Lifter GS Premium	124TA2334
Bulli FK 3000 09/92	107TA7023	Pramac Lifter GS Galva/Inox	107TA7016
Bulli FK 2300	124TA5606	Pramac Lifter GS Quicklift	107TA7017
Bulli FK 3000	124TA5606	Pramac Lifter HL10/E	107TA7018
Bulli FK 2300 (from 11/2004 on)	124TA5606	Pramac Lifter HL10/M	107TA7019
Bulli FK 2300 Quick lift (from 11/2004 on)	124TA5607	Rocla RH25	107TA7001
Bulli FK 3000 (from 11/2004 on)	124TA9067	Rocla RHS25	107TA7001
BV Vestergaard 115	107TA7000	Steinbock WH20/23 MK IX-A	107TA7032
BV Vestergaard 115R	107TA7001	Steinbock HU2/2,3	107TA7031
BV Vestergaard PV25	107TA7001	Steinbock WH22	107TA7034
BV Vestergaard PV25R	107TA7001	Still Wagner HP11-22	107TA7038
BV Vestergaard HPV-8	107TA7002	Still Wagner HP20	107TA7039
Crown PTH (from series 3-118400 until 3-183849)	107TA7003	Still Wagner HP30	107TA7040
Crown PTH (from series 3-183850)	107TA7004	Still Wagner HP22 (2000)	107TA7041
Crown PTH 50	107TA7005	Still Wagner HP22 Quicklift (2000)	107TA7042
Ecolift	123TA6863	TotalLifter AC Standard	124TA9072
Ecolift Quick	124TA9167	TotalLifter AC Quicklift	128TA4587
Eurolifter	107TA6865	TotalLifter AC Lowprofile	128TA4366
Eurolifter Junior	124TA9063	TotalLifter ACZ Galvanised	128TA4533
HU-Lift	124TA9068	TotalLifter ACS Stainless steel	128TA4625
HU-Pump	124TA9069	TotalLifter CBGIII Standard	128TA4463
HU-Lift HP20S	134TA9122	Toyota HT20 (up to series 9)	107TA6575
Hyster PM22 Easylift	124TA8414	Toyota HT20 (from series 10)	107TA6576
Hyster PM22 Quicklift	124TA8211	Toyota HT20i / HT20k	107TA7043
Hyster PM23 Easylift	124TA8526	Yale HP22 Easylift	124TA6788
Hyster PM23 Quicklift	124TA5710	Yale HP22 Quicklift	107TA7044
Jungheinrich AM2000	107TA6689	Yale HP23 Easylift	124TA8346
Jungheinrich AM2200 (up to 04/2005)	107TA7010	Yale HP23 Quicklift	124TA8056
Jungheinrich AM2200 (from 01/2007)	159TA9765		
Jungheinrich AM2200 Quick lift (up to 10/2003)	107TA7029		



BRAKE PROFILE



REF 116TA6120

- Rubber
- Dimensions 350 x 350 x 30 mm

MAGNETIC CADDY



REF 107TA7865

- Length: 142 mm
- Width: 102 mm
- Height: 84,5 mm (without foot)
140 mm (foot included)
- Diameter of magnetic foot: 85,7 mm



HIGH VISCOSITY INDEX ANTIWEAR HYDRAULIC OILS

- REF 107TA7211** – 1 l, ISO VG 15
- REF 107TA7212** – 5 l, ISO VG 15
- REF 141TA5202** – 20 l, ISO VG 22
- REF 141TA2734** – 20 l, ISO VG 32

Product description:

- Recommended for all kind of hydraulic systems operating under high pressure (limit as indicated by the pump manufacturer) and high temperature (up to 100 °C in hot points)
- Lubricants especially suitable for hydraulic systems working under extreme temperature variations and equipment operating outside: easy start-up at low temperature (-30 °C) and regular operating in all seasons: civil engineering, agriculture, marine, transport and other industrial applications



International specifications:

- AFNOR NF E 48-603 HV
- ISO 6743/4 HV
- DIN 51524 P3 HVLP
- CINCINNATI MILACRON P68, P69, P70
- VICKERS M-2950S, -I-286

Advantages:

- Very high viscosity index
- Excellent shear stability
- Superior thermal stability avoiding the formation of sludge even at high temperatures
- Very good oxidation stability ensuring a long service life of the fluid
- High protection against wear ensuring maximum equipment life
- Excellent hydrolytic stability avoiding filter blocking.
- Remarkable filterability even in the presence of water
- Excellent protection against rust and corrosion
- Good antifoam and air release properties by using silicon-free components
- Very low pour point
- Good demulsibility ensuring rapid water separation

TOTAL SOURCE[®]

Powered by **TOTAL**

ASHLESS MINERAL HYDRAULIC FLUID

- REF 140TA8776** – 20 l, ISO VG 15

Product description:

- A hydraulic fluid designed for outdoor equipments operating under extremely low temperatures
- The very high viscosity index extends the temperature operating window of the hydraulic systems

International specifications:

- ISO 11158 HV
- DIN 51524-3 HVLP

Advantages:

- The low cold-temperature viscosity is limiting the cavitation issues during the start-up operations. With this low viscosity level the hydraulic system can be fully operable immediately after the start-up
- Good shear stability ensuring the high temperature lubricating film thickness and the hydraulic pump efficiency during all the fluid life
- Ashless formulation offering a very high oxidation stability, reducing deposits and varnishes formation and allowing extended drain intervals
- Good wear, rust and corrosion protection of the material
- Excellent air release behaviour



TOTAL SOURCE[®]

Powered by **TOTAL**



HIGH VISCOSITY INDEX ANTIWEAR HYDRAULIC OILS

- REF **107TA7211** – 1 l, ISO VG 15
- REF **107TA7212** – 5 l, ISO VG 15
- REF **141TA5202** – 20 l, ISO VG 22
- REF **141TA2734** – 20 l, ISO VG 32

Product description:

- Recommended for all kind of hydraulic systems operating under high pressure (limit as indicated by the pump manufacturer) and high temperature (up to 100 °C in hot points)
- Lubricants especially suitable for hydraulic systems working under extreme temperature variations and equipment operating outside: easy start-up at low temperature (-30 °C) and regular operating in all seasons: civil engineering, agriculture, marine, transport and other industrial applications



International specifications:

- AFNOR NF E 48-603 HV
- ISO 6743/4 HV
- DIN 51524 P3 HVLP
- CINCINNATI MILACRON P68, P69, P70
- VICKERS M-2950S, -I-286

Advantages:

- Very high viscosity index
- Excellent shear stability
- Superior thermal stability avoiding the formation of sludge even at high temperatures
- Very good oxidation stability ensuring a long service life of the fluid
- High protection against wear ensuring maximum equipment life
- Excellent hydrolytic stability avoiding filter blocking.
- Remarkable filterability even in the presence of water
- Excellent protection against rust and corrosion
- Good antifoam and air release properties by using silicon-free components
- Very low pour point
- Good demulsibility ensuring rapid water separation

TOTAL SOURCE[®]

Powered by TOTAL

BIODEGRADABLE HYDRAULIC FLUIDS SUITABLE FOR INCIDENTAL FOOD CONTACT

- REF **138TA3967** – 20 l
- REF **141TA2742** – 208 l

Product description:

- Oil for hydraulic systems presenting risks of leaks of fluid into the environment and incidental contact with foodstuffs: grape harvests, crop harvests ...
- Operating temperatures: -20 °C to 70 °C

Specifications:

- NSF H1
- ISO 15380 HETG
- Poclairn Hydraulics 11-06
- ISO 6743-4



Advantages:

- Reinforced protection and efficiency of equipment due to a very high viscosity index
- Excellent anti-wear properties



TOTAL SOURCE[®]

Powered by TOTAL



STANDARD OILER

REF 107TA7253

- Capacity: 500 ml
- Steel container and brass pump
- Robust pump provides trickle feed supply
- Ball valve type
- Delivered with rigid spout (135 mm) and superflex spout (210 mm)



ABSORBING TOWELS

REF 107TA7236

- 410 x 510 mm
- 100 pieces/box
- Absorbs about everything (oil, liquids, acids ...)



MULTIPURPOSE EXTREME-PRESSURE LITHIUM/CALCIUM GREASE

REF 107TA7220 – 400 g

REF 141TA3233 – 18 kg

REF 140TA8781 – 50 kg

Product description:

- A multipurpose extreme-pressure grease, formulated for the lubrication of all kinds of industrial applications, operating in wet and dusty and/or dry conditions
- Also suitable as EP multipurpose grease, in "off-road" applications where water is in frequent contact with the grease, e.g. pin-bushings, Crown and Caterpillar wheels on excavators
- Always avoid contamination of the grease by dust and/or dirt when applying. Preferably use a pneumatic pump system or cartridges

Specifications:

- ISO 6743-9 L-XBDHB 2
- DIN 51 502 KP2K -25

Advantages:

- Because of its true multipurpose character it may replace a wide range of greases, allowing stock rationalization and simplification of maintenance
- Forms a durable lubrication film, resulting in reduction of maintenance and down-time costs
- Miscible with most other conventional soap greases
- Excellent mechanical stability avoiding ejection or loss of consistency during operation
- Excellent adhesion to metal
- Good thermal stability, leading to high resistance to temperature variations
- This grease does not contain lead, or other heavy metals considered harmful to human health and the environment



TOTAL SOURCE[®]
Powered by TOTAL



SPECIAL GREASE

REF 152TA1875

Extreme-pressure water-resistant high-temperature calcium sulfonate complex grease for food and food related industry

- Approved by NSF-H 1 as a lubricant for incidental food contact
- Heavy-duty
- NLGI grade 2
- 400 g



COMPRESSED AIR GREASE GUN

REF 138TA8343

- Capacity: 500 ml
- Connection: M10 x 1
- Includes 1 high-pressure hose (11 x 300 mm) & 1 coupler, in a cardboard box
- Operates with greases up to NLGI grade 2
- Load/charge with 400 gr grease cartridge or bulk grease



INDUSTRIAL GREASE GUN

REF 138TA6594

- Capacity: 500 cc
- Connection: M10 x 1
- With 1 high-pressure hose: 11 x 300 mm
- With 1 angled spout, 2 precision machined hydraulic couplers, 4 jaws
- Operates with grease
- Sealing system: o-ring and ball valve prevent grease compressed in the grease gun head from feeding back
- Designed to be utilized under rough conditions with variable stroke system



GREASE PUMP WITH TUBE



REF 107TA7232



FOOD GREASE FPS

REF 143TA6908

- Multipurpose grease with long-term lubrication on food processing equipment, where incidental food contact may occur
- Registered NSF H1 for use in the food industry
- This aluminium complex grease has a good thermal stability with an operating temperature till 140 °C and protects against corrosion
- Can be applied on all metal constructions used in the food industry: hinges, valves, chains, gears, joints ...
- 500 ml



INOX KLEEN FPS

REF 143TA6896

- Water-based, foaming cleaner for degreasing and cleaning shiny metal surfaces
- The product combines a high cleaning power with the application of a durable protective coating, in one step
- NSF C1 registered for use in the food industry
- 500 ml



5-56 + PTFE UNIVERSAL OIL SPRAY

REF 143TA6901

- Multifunctional service fluid for use in the professional mechanic maintenance
- Repulses moisture and prevents electrical failure
- Provides a good protection against corrosion
- Cleans and protects surfaces contaminated by machining or handling
- 500 ml





RETAINING COMPOUND MEDIUM

REF 143TA3501

- Medium strength, if disassembly is required
- Service temperature range: -55 to 150 °C
- Viscosity: 400–800 mPa·s
- Tensile shear strength: >6,5 N/mm²
- Fixture time: 25 min
- Max diametrical clearance: 0,1 mm
- 50 ml

Loctite 641 is designed for the bonding of cylindrical fitting parts, particularly where disassembly is required for service operations. The product cures when confined in the absence of air between close fitting metal surfaces and prevents loosening and leakage from shock and vibration. Typical applications include retention of bearings onto shafts and into housings.



LOCTITE

RETAINING COMPOUND HIGH

REF 143TA3500

- High strength, general purpose
- Service temperature range: -55 to 150 °C
- Viscosity: 2000–3000 mPa·s
- Tensile shear strength: >25 N/mm²
- Fixture time: 4 min
- Max diametrical clearance: 0,25 mm
- P1 NSF
- 50 ml

Loctite 638:

- Best resistance to dynamic, axial and radial loads
- Ideal for shafts, gears, pulleys and similar cylindrical parts






LOCTITE



GROOVED BALL-BEARING EXTRACTOR SET











	Pieces			REF
ISO 6000-6013 ISO 6200-6212 ISO 6300-6311 ISO 6403-6408	60	L-box	1	143TA6031

BEARING FITTING TOOL KIT



Bearing fitting tool kit, light, out on field model

								REF
10-50 mm	26-110 mm	3 pcs	19 – 32 – 50 mm	220 mm	33 pcs	L-box	1	143TA6032



3-DRAWER CABINET WITH 116 PIECES OF TOOLS

1/4" 1/2"



REF 141TA5745

Dimensions (L x W x H): 570 x 230 x 305 mm

Contents:

Socket wrenches and accessories:

1/4"

- 5 slotted bits: 4 – 5 – 5,5 – 6 – 7 mm
- 4 Phillips bits: PH0 – PH1 – PH2 – PH3
- 4 Pozidriv bits: PZ0 – PZ1 – PZ2 – PZ3
- 5 star bits: T10 – T15 – T20 – T30 – T40
- 8 hex bits: 2 – 3 – 4 – 5 – 6 – 7 – 8 – 10 mm
- 12 surface 1/4" drive sockets: 4 – 4,5 – 5 – 5,5 – 6 – 7 – 8 – 9 – 10 – 11 – 12 – 13 mm
- 3 surface drive 1/4" deep sockets: 8 – 10 – 13 mm
- 1 sliding 1/4" T-handle
- 1 x 1/4" extension: 50 mm
- 1 x 20-teeth 1/4" ratchet
- 1 universal 1/4" joint
- 1 x 1/4" bit holder
- 1 magnetic 1/4" bit holder
- 1 x 1/4" spinner handle

1/2"

- 13 surface drive sockets 1/2": 14 – 15 – 16 – 17 – 18 – 19 – 20 – 21 – 22 – 24 – 27 – 30 – 32 mm
- 3 x 1/2" hexagon sockets: 17 – 19 – 21 mm
- 2 x 1/2" extensions: 75 – 250 mm
- 1 wobble 1/2" extension: 250 mm
- 1 universal 1/2" joint
- 1 adaptor for extensions 3/8" – 1/2"

Combination wrench & L-key set:

- 16 combination wrenches: 6 – 7 – 8 – 9 – 10 – 11 – 12 – 13 – 14 – 15 – 16 – 17 – 18 – 19 – 22 – 24 mm
- 9 hex ball point long keys: 1,25 – 2 – 2,5 – 3 – 4 – 5 – 6 – 8 – 10 mm

Screwdriver set:

- 3 Phillips screwdrivers
- 1 stubby Phillips screwdrivers
- 4 slotted screwdrivers
- 1 stubby slotted screwdrivers

Utility set:

- 1 chisel: 12 mm
- 1 cape chisel
- 2 pin punches: 3 – 4 mm
- 1 center punch: 100 mm – 4"
- 1 long nose pliers: 200 mm – 8"
- 1 combination pliers: 175 mm – 7"
- 1 diagonal pliers: 175 mm – 7"
- 1 water pump pliers: 250 mm – 10"
- 1 engineer's hammer: 200 g





COLOUR SPRAY



REF 136TA1295

- Yellow
- Spray 400 ml

COLOUR SPRAY



REF 107TA9659

- Black
- Spray 400 ml

COLOUR SPRAY



REF 107TA7340

- Red
- Spray 400 ml

COLOUR SPRAY



REF 136TA2957

- Grey
- Spray 400 ml














TVH PARTS AROUND THE WORLD



TVH PARTS

BEPCO

-  **AUSTRALIA**
TVH AUSTRALASIA PTY LTD
Dandenong South (Melbourne, Victoria) -
Richlands (Brisbane, Queensland) -
Welshtpool (Perth, West Australia) -
Wetherill Park (Sydney, New South Wales) -
Wingfield (Adelaide, South Australia)
-  **BELGIUM**
TVH PARTS NV
Waregem
TVH GROUP NV
Waregem
-  **BRASIL**
TVH DINAMICA PEÇAS LTDA
Vinhedo
-  **BULGARIA**
TVH BULGARIA LTD
Petrich
-  **CANADA**
TVH CANADA LTD
Mississauga (Ontario) - Port Coquitlam (British Columbia)
-  **CHINA**
TVH TRADING (SHANGHAI) CO, LTD
Shanghai - Tianjin
-  **FRANCE**
TVH FRANCE SASU
Wattrelos
FRANCE HAYON GROUPE
Châteaubourg
-  **INDIA**
TVH INDIA PTE LTD
Pune

-  **ITALY**
TVH ITALIA SRL
Marano Ticino (Novara) - Torino
CAM SRL
Marano Ticino (Novara)
-  **MALAYSIA**
TVH MALAYSIA SDN BHD
Johor Bahru - Penang - Shah Alam (Kuala Lumpur)
-  **MEXICO**
TVH MEXICO, S DE RL DE CV
Cuautitlán Izcalli (Mexico City) - Monterrey
-  **NEW ZEALAND**
TVH NEW ZEALAND LTD
Christchurch - East Tamaki (Auckland)
-  **POLAND**
TVH POLSKA SP ZOO
Tychy
-  **RUSSIA**
TVH RUS LLC
Dubrovka (Moscow)
-  **SINGAPORE**
TVH SINGAPORE PTE LTD
Jurong
-  **SOUTH AFRICA**
TVH PARTS SOUTH AFRICA LTD
Briardene (Durban) - Isando (Johannesburg) -
Korsten (Port Elizabeth) - Kraaifontein (Cape Town) - Lichtenburg
-  **SWEDEN**
TVH NORDIC AB
Ed

-  **TURKEY**
TVH YEDEK PARCA TICARET AŞ
Başakşehir (Istanbul, European) - İzmit (Istanbul, Asian)
-  **UNITED ARAB EMIRATES**
TVH MIDDLE EAST FZE
Sharjah
-  **UNITED KINGDOM**
TVH UK LTD
Coventry
RENTACLAMP LTD
Coventry
-  **USA**
TVH PARTS CO
Duncan (South Carolina) - Fresno (California) - Grayslake (Illinois) -
Harrisburg (Pennsylvania) - Miami (Florida) - Mira Loma (California) -
Olathe (Kansas) - Steveport (Louisiana)
C-TECH
West Chester Township (Ohio)
SUPERIOR SIGNALS, INC
Olathe (Kansas)

SALES REPRESENTATION IN THE FOLLOWING COUNTRIES:

Albania, Algeria, Austria, Bahrain, Belarus, Benin, Bosnia, Botswana, Bulgaria, Canary Islands, Croatia, Cyprus, Denmark, Djibouti, Egypt, Estonia, Finland, Ghana, Greece, Hong Kong, Iceland, Ireland, Kosovo, Kuwait, Latvia, Lesotho, Libya, Lithuania, Macedonia, Malawi, Malta, Morocco, Mauritania, Moldova Republic, Montenegro, Mozambique, Namibia, Nigeria, Norway, Oman, Pakistan, Portugal, Qatar, Saudi Arabia, Serbia, Slovenia, Swaziland, Switzerland, Taiwan, Togo, Tunisia, Ukraine, Yemen, Zambia, Zimbabwe.



Go to **downloads** on www.tvh.com to find all catalogues.

Attachments & handling equipment

REF 29193029

Wheels, rollers & castors

REF 31072155

For pallet trucks & handling equipment: rollers, load wheels, drive wheels, wheels with internal keyway, wheels with internal crown/gear, wheels with brake kit, castors. For handling equipment: roller assemblies. Used on wheels for manual and electric hand pallet trucks: bearings.



REF 31072162 · 04-2016 · edition 2 · SL · Value: € 10,-



Quality parts cheaper



FOLLOW US



PARTS & ACCESSORIES



COMPANY MOVIE



TVH PARTS NV
 Brabantstraat 15 · 8790 Waregem · Belgium
 T +32 56 43 42 11 · F +32 56 43 44 88 · info@tvh.com · www.tvh.com

TVH PARTS